



IMPORTANT SAFETY PRECAUTIONS

Before you begin, read these instructions completely and carefully.

- Be certain electrical power is OFF before and during installation, maintenance and removal.
- Fan wiring must be properly grounded in accordance with the NEC and any applicable local code requirements.
- Use only UL or IEC approved wire for input/output connections.
- Verify that supply voltage matches voltage on fan label. Installation to any other connection may void the warranty.
- Wear gloves during installation to prevent injury and do not expose wiring to metal or sharp edges.



WARNING: To reduce the risk of fire, electrical shock, or personal injury, mount this fan to an outlet box marked "Acceptable for Fan Support of 22.7kg (50lbs)" or less and use Mounting Screws provided with the outlet box. CAUTION: Install the primary mounting means and use only the hardware provided with the fan.

To reduce the risk of personal injury, do not bend the blade brackets when installing the brackets, balancing the blades or clearing the fan. Be careful not to insert foreign objects in between rotating fan blades.

To reduce the risk of fire or electrical shock, do not use this fan with any solid-state speed control device.



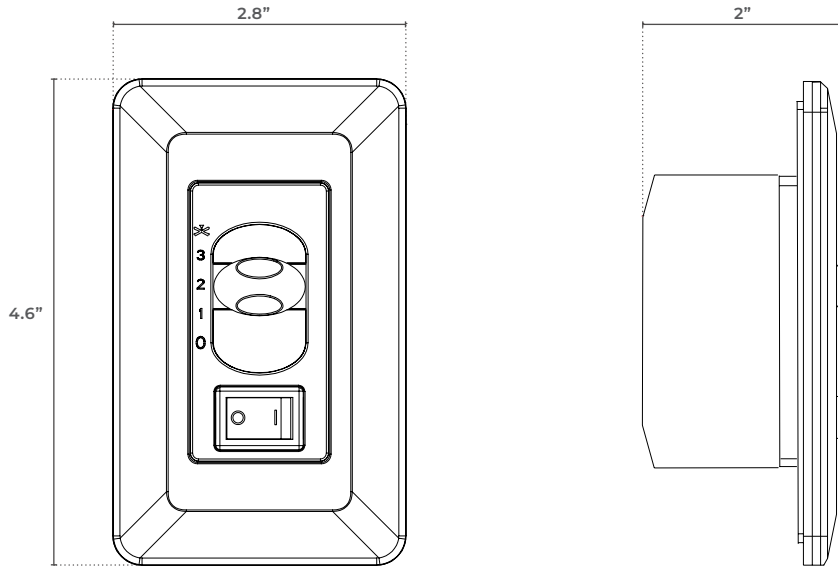
The important safeguards and instructions appearing in this manual are not meant to cover all possible conditions and situations that may occur. It must be understood that common sense, caution and careful attention to detail are factors which cannot be built into this product. These factors must be supplied by the person or persons installing, caring for, and operating the unit.

This product should be installed, inspected and maintained by a qualified and licensed electrician. Installation of luminaire must be in accordance with NEC and local code requirements.

SAVE THESE INSTRUCTIONS



DIMENSIONS



INSTALLATION INSTRUCTIONS

A) Disconnect power and remove the existing wall plate and switch.

B) Set all knobs on the 3WC dual slide wall-mounted control in the OFF position. Installation of this control requires that a three conductor cable with ground wire be run between the control wall box and the ceiling fan outlet box.

C) Make wiring connections and secure with provided wire nuts. (Figure 1)

- Connect the Black (live) wire from the power supply to the Black wire "AC IN L" from the wall-mounted control.
- Connect the White (neutral) wire from the power supply to the White wire "TO MOTOR N" from the fan motor assembly.
- Connect the Black wire from ceiling fan to the Black wire "TO MOTOR L" from the wall-mounted control.
- Connect the Blue wire from ceiling fan to the Blue wire "FOR LIGHT" from the wall-mounted control.
- Connect the ground conductor of the 120-VOLT supply (this may be a bare wire or a wire with green colored insulation) to the green ground lead(s) of the fan. There are two green grounding leads: one from the mounting bracket and one from the hanger ball/downrod assembly.
- Make sure to use wire nuts on all connections.

D) Secure the 3WC wall-mounted control to the electrical wall box with two screws provided. (Figure 2)

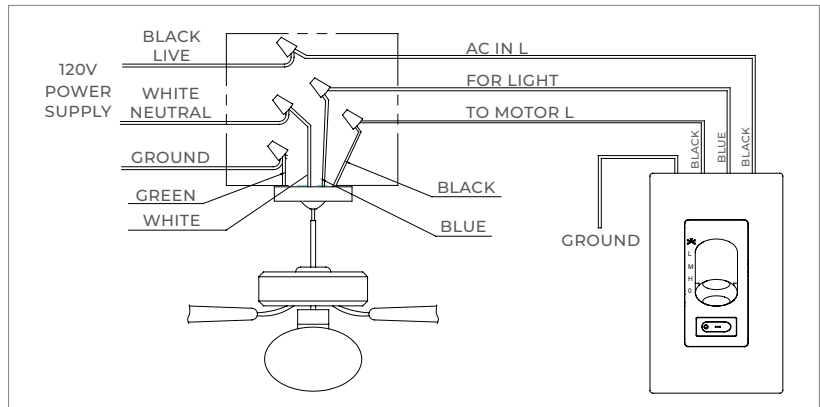


FIGURE 1

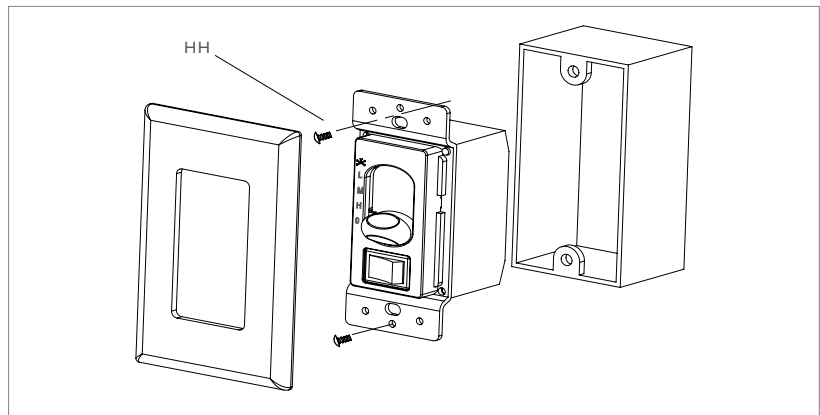


FIGURE 2

SAVE THESE INSTRUCTIONS



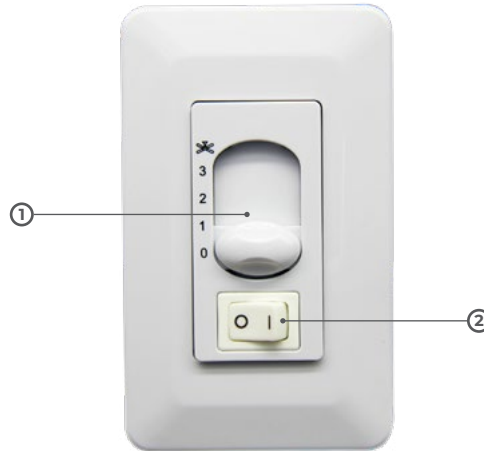
WALL CONTROL FUNCTIONS

1. Fan Speed Slide:

- **3:** HIGH SPEED
- **2:** MEDIUM SPEED
- **1:** LOW SPEED
- **0:** POWER OFF

2. Light Kit Slide:

- **O :** POWER OFF
- **| :** POWER ON



SAVE THESE INSTRUCTIONS

