



## IMPORTANT SAFETY PRECAUTIONS

Before you begin, read these instructions completely and carefully.

- Be certain electrical power is OFF before and during installation, maintenance and removal.
- Fan wiring must be properly grounded in accordance with the NEC and any applicable local code requirements.
- Use only UL or IEC approved wire for input/output connections.
- Verify that supply voltage matches voltage on fan label. Installation to any other connection may void the warranty.
- Wear gloves during installation to prevent injury and do not expose wiring to metal or sharp edges.



**WARNING:** To reduce the risk of fire, electrical shock, or personal injury, mount this fan to an outlet box marked "Acceptable for Fan Support of 22.7kg (50lbs)" or less and use Mounting Screws provided with the outlet box. CAUTION: Install the primary mounting means and use only the hardware provided with the fan.

To reduce the risk of personal injury, do not bend the blade brackets when installing the brackets, balancing the blades or clearing the fan. Be careful not to insert foreign objects in between rotating fan blades.

To reduce the risk of fire or electrical shock, do not use this fan with any solid-state speed control device.



The important safeguards and instructions appearing in this manual are not meant to cover all possible conditions and situations that may occur. It must be understood that common sense, caution and careful attention to detail are factors which cannot be built into this product. These factors must be supplied by the person or persons installing, caring for, and operating the unit.

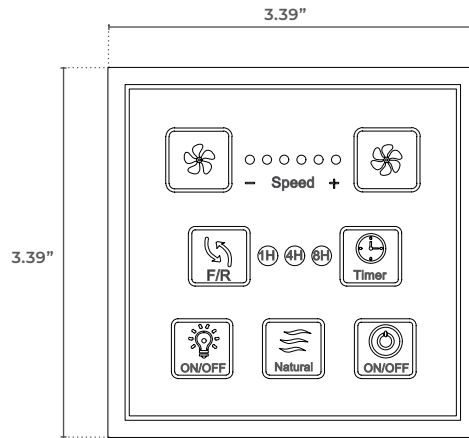


This product should be installed, inspected and maintained by a qualified and licensed electrician. Installation of luminaire must be in accordance with NEC and local code requirements.

**SAVE THESE INSTRUCTIONS**

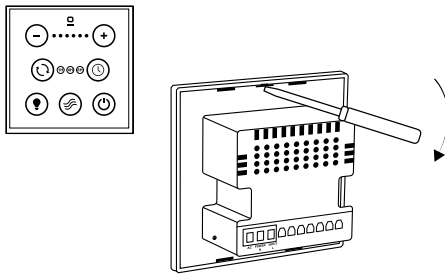


**DIMENSIONS**

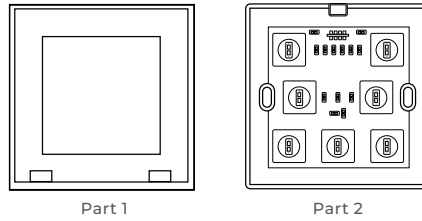


**SURFACE INSTALLATION INSTRUCTIONS**

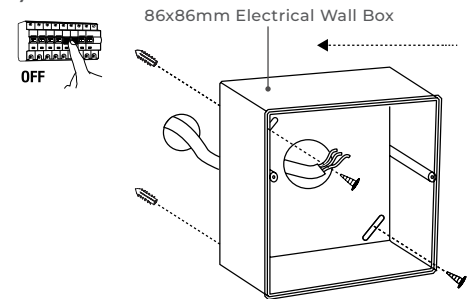
A) Disassemble



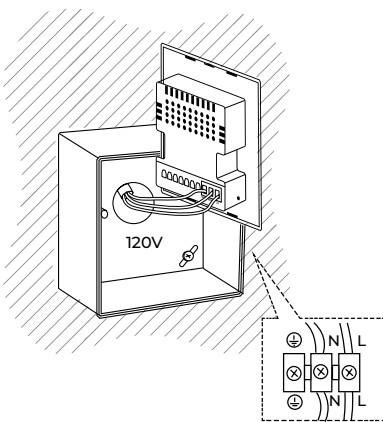
B)



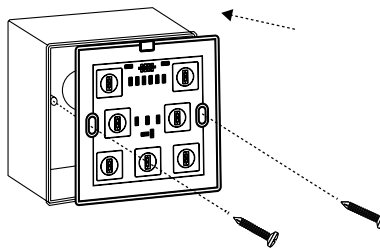
C)



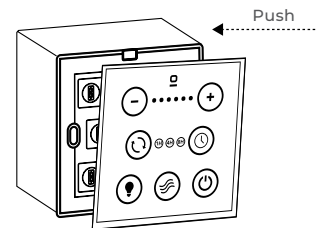
D)



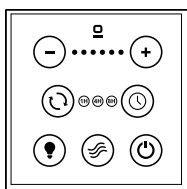
E)



F)



G) Installation is complete.

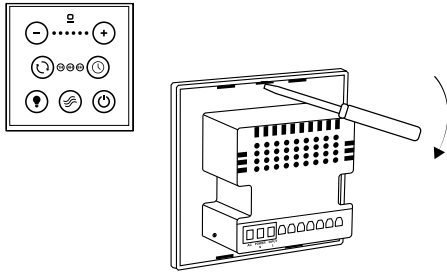


**SAVE THESE INSTRUCTIONS**

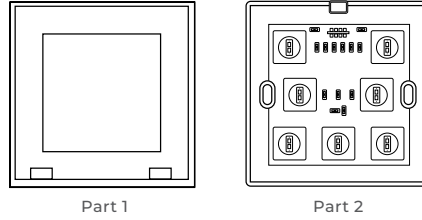


**RECESSED INSTALLATION INSTRUCTIONS**

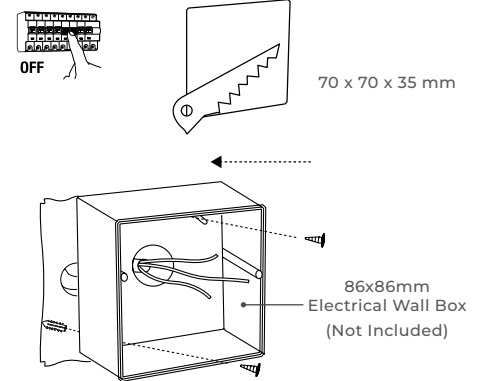
**A) Disassemble**



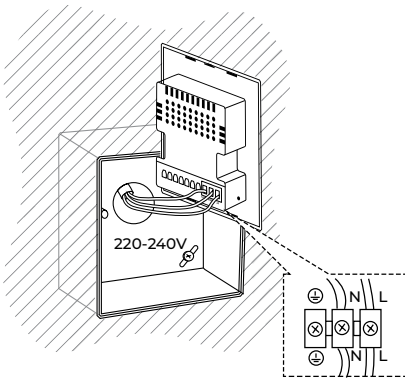
**B)**



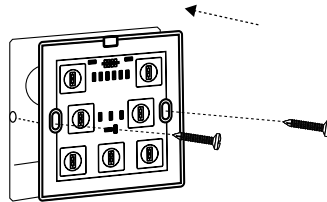
**C)**



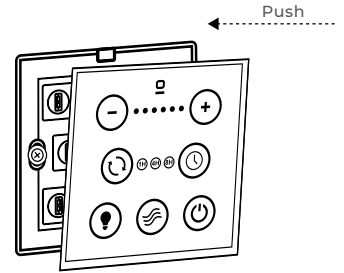
**D)**



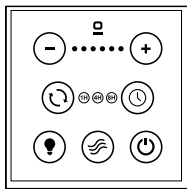
**E)**



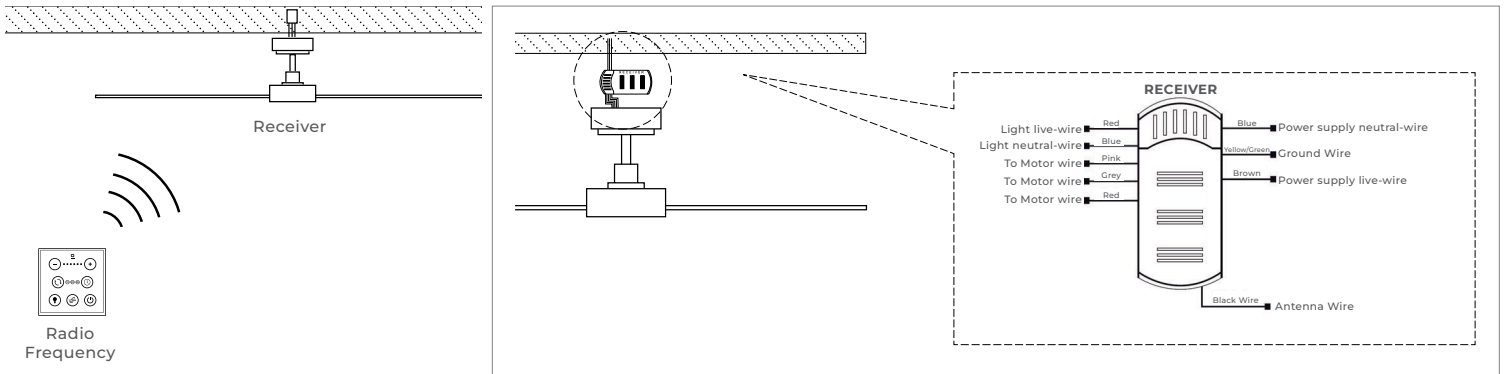
**F)**



**G) Installation is complete.**



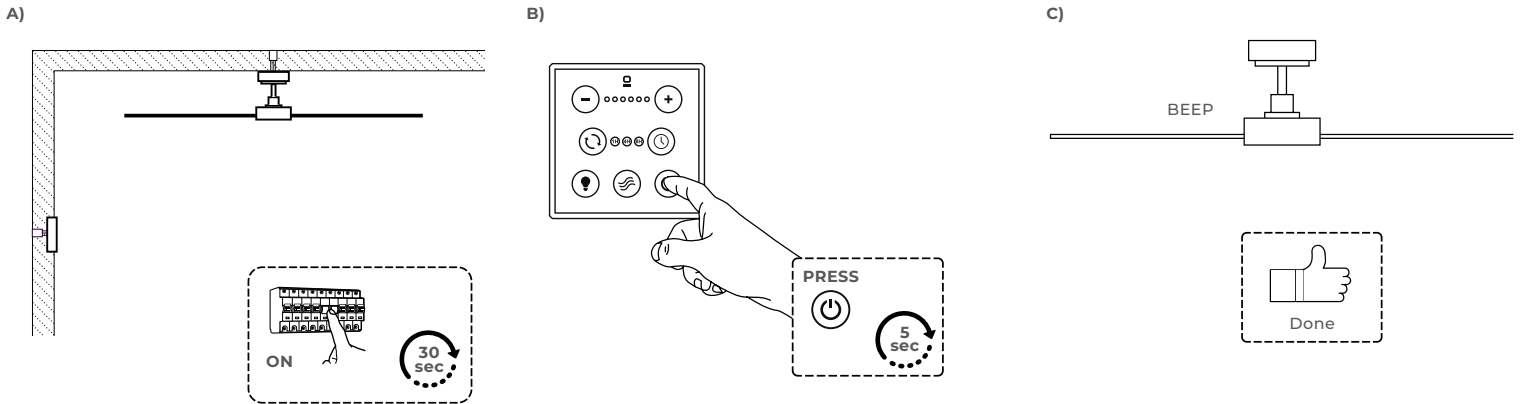
**RECEIVER WIRING SCHEMATIC DIAGRAM**



**SAVE THESE INSTRUCTIONS**

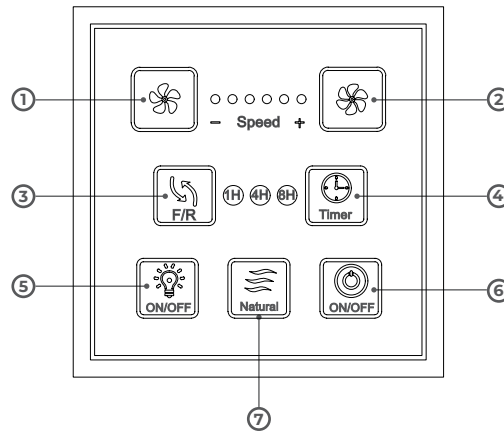


**WALL CONTROL SETUP**



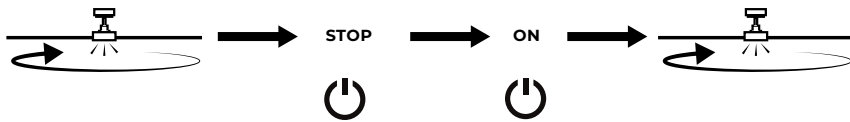
**WALL CONTROL FUNCTIONS**

1. Decrease Fan Speed
2. Increase Fan Speed
3. Reverse Fan Direction (Reverse Switch)
4. Timer (1 hr / 4 hr / 8 hr)
5. Light ON/OFF Function
6. Fan ON/OFF Function
7. Natural Wind: Automatic Fan Speeds

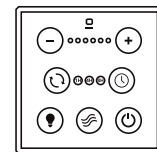


**INFORMATION & WARNINGS**

Memory Direction



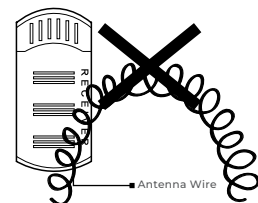
6WC Radio Frequency ≠ Others Radio Frequency



Max Power Parameters

VOLTAGE	FAN maximum	LAMP maximum
120V	40W	140W

Do Not Cover Antenna Wire



**SAVE THESE INSTRUCTIONS**

