



## IMPORTANT SAFETY PRECAUTIONS

Before you begin, read these instructions completely and carefully.

- Be certain electrical power is OFF before and during installation, maintenance and removal.
- Fan wiring must be properly grounded in accordance with the NEC and any applicable local code requirements.
- Use only UL or IEC approved wire for input/output connections.
- Verify that supply voltage matches voltage on fan label. Installation to any other connection may void the warranty.
- Wear gloves during installation to prevent injury and do not expose wiring to metal or sharp edges.



**WARNING:** To reduce the risk of fire, electrical shock, or personal injury, mount this fan to an outlet box marked "Acceptable for Fan Support of 22.7kg (50lbs)" or less and use Mounting Screws provided with the outlet box. CAUTION: Install the primary mounting means and use only the hardware provided with the fan.

To reduce the risk of personal injury, do not bend the blade brackets when installing the brackets, balancing the blades or clearing the fan. Be careful not to insert foreign objects in between rotating fan blades.

To reduce the risk of fire or electrical shock, do not use this fan with any solid-state speed control device.



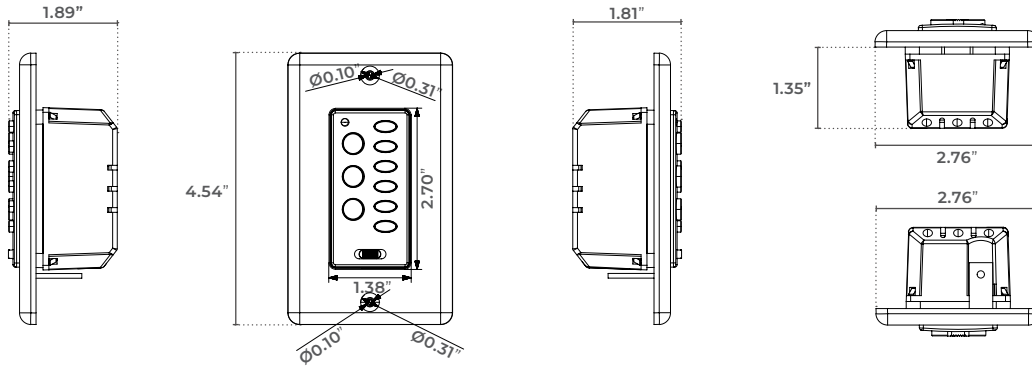
The important safeguards and instructions appearing in this manual are not meant to cover all possible conditions and situations that may occur. It must be understood that common sense, caution and careful attention to detail are factors which cannot be built into this product. These factors must be supplied by the person or persons installing, caring for, and operating the unit.

This product should be installed, inspected and maintained by a qualified and licensed electrician. Installation of luminaire must be in accordance with NEC and local code requirements.

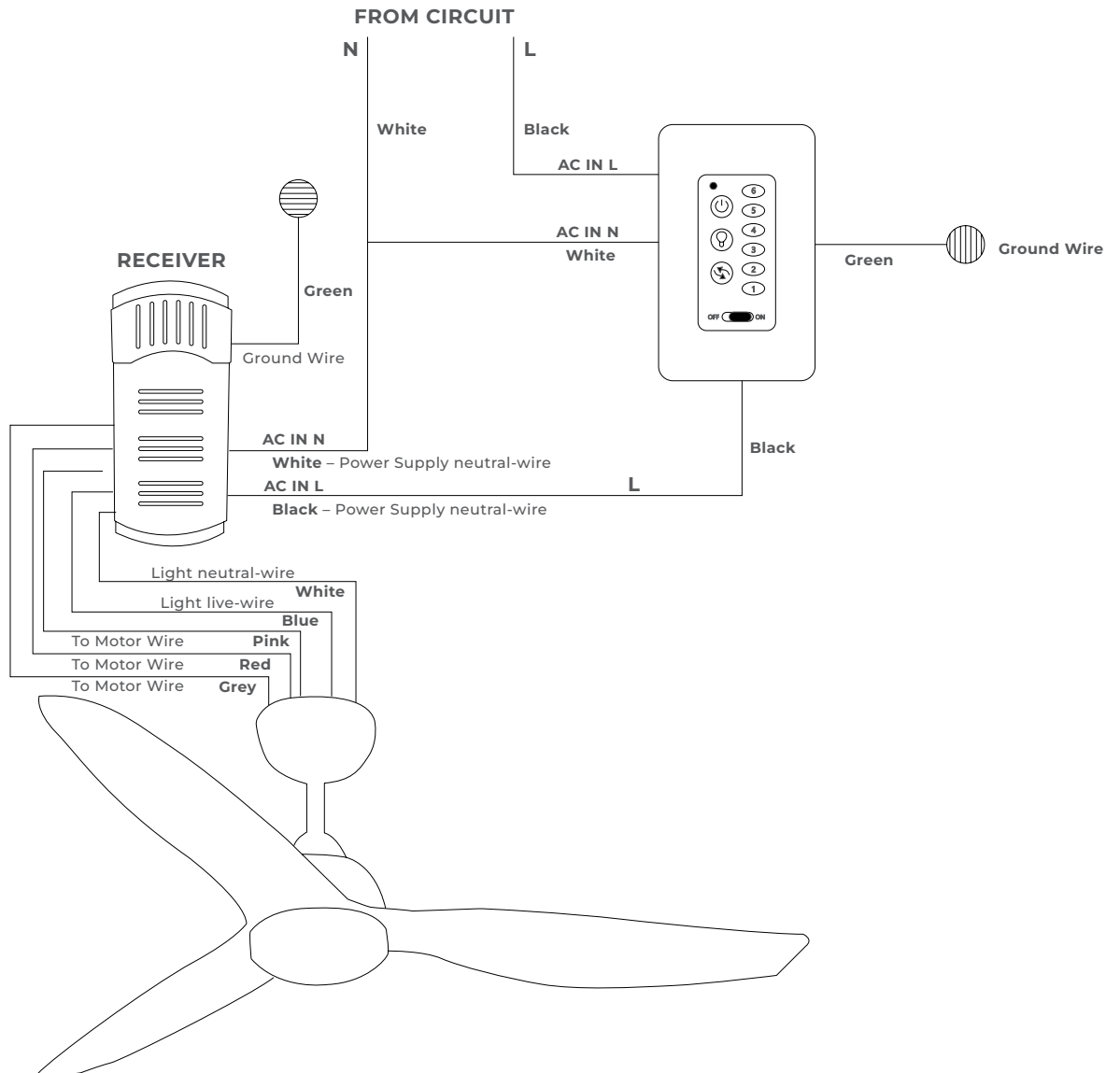
**SAVE THESE INSTRUCTIONS**



**DIMENSIONS**



**WIRING DIAGRAM / INSTALLATION INSTRUCTIONS**

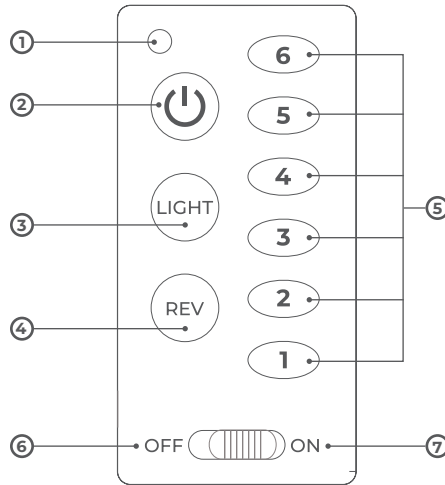


**SAVE THESE INSTRUCTIONS**



**WALL CONTROL FUNCTIONS**

1. LED Indicator Light
2. ON/OFF for fan
3. Short Press: ON/OFF for light  
Long Press (hold for 5 seconds): Dimmer
4. Direction of the fan (Reverse Switch)
5. Fan Speed Settings
6. OFF for power supply (fan and light)
7. ON for power supply (fan and light)



**POWER PARAMETER LIST**

VOLTAGE	FAN max	LAMP max
120V	60W	40W

**NOTES**

- Receiver can be controlled by any angle with wall control as long as installed in the same space.
- With the memory function, the wall control can save the status (direction) while the power supply is OFF and resume to the original after reloading the power supply.
- When installing the fan, ensure the fan ceiling cover doesn't press or pinch the antenna or other wires.
- The wall control and receiver have been paired beforehand. Below instructions for pairing mode is only used when you need to do a new pairing of wall control and receiver.

**PAIRING MODE:**

- Turn ON the circuit supply power and then within 30 seconds press and hold the wall control power button for 5 seconds. Release after hearing the long beep, which means the pairing is successful and should work as normal.

**SAVE THESE INSTRUCTIONS**

