



### IMPORTANT SAFETY PRECAUTIONS

**Before you begin, read these instructions completely and carefully.**

- Be certain electrical power is OFF before and during installation, maintenance and removal.
- Luminaire wiring must be properly grounded in accordance with the NEC and any applicable local code requirements.
- Use only UL or IEC approved wire for input/output connections.
- Verify that supply voltage matches voltage on luminaire label. Installation to any other connection may void the warranty.
- Wear gloves during installation to prevent injury and do not expose wiring to metal or sharp edges.
- Do not install in areas subject to combustible vapors or gases. Verify luminaire location ratings are suitable for installation environment (refer to specification sheet as needed).
- Do not restrict luminaire's ventilation by covering with material that will cause luminaire to overheat and potentially shorten the life span.
- Ensure LED luminaire has the correct polarity before installation.



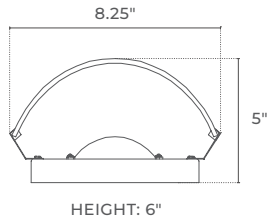
**WARNING:** To reduce the risk of personal injury or property damage from fire, electrical shock, falling parts, abrasions, burns and all other hazards, read all provided warnings and follow installation instructions.

This product should be installed, inspected and maintained by a qualified and licensed electrician. Installation of luminaire must be in accordance with NEC and local code requirements.

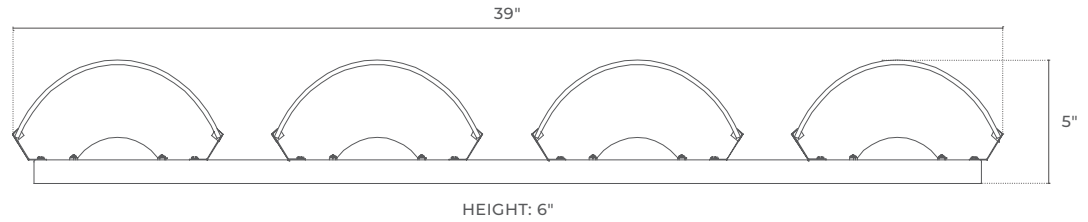
**SAVE THESE INSTRUCTIONS**

**DIMENSIONS**

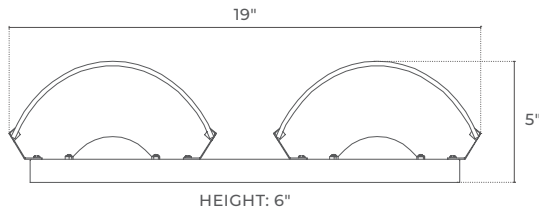
**ALBA 1**



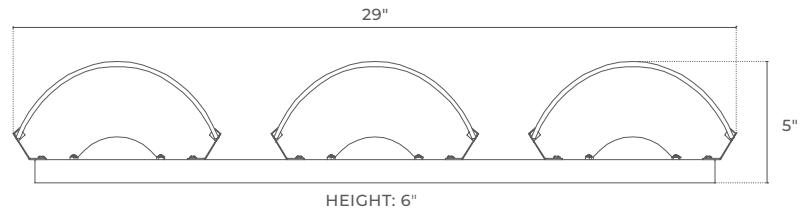
**ALBA 4**



**ALBA 2**



**ALBA 3**



**INSTALLATION INSTRUCTIONS**

**A)** Turn off the power.

**B)** Remove the fixture nuts(14) from the fixture plate(13), separating the mounting bracket(3) and the fixture plate(13).

**C)** Pull the supply wires(8) & (9) and supply ground wire(6) out from the junction box(1).

**D)** Fasten the mounting bracket(3) to the junction box(1) using the mounting screws(5).

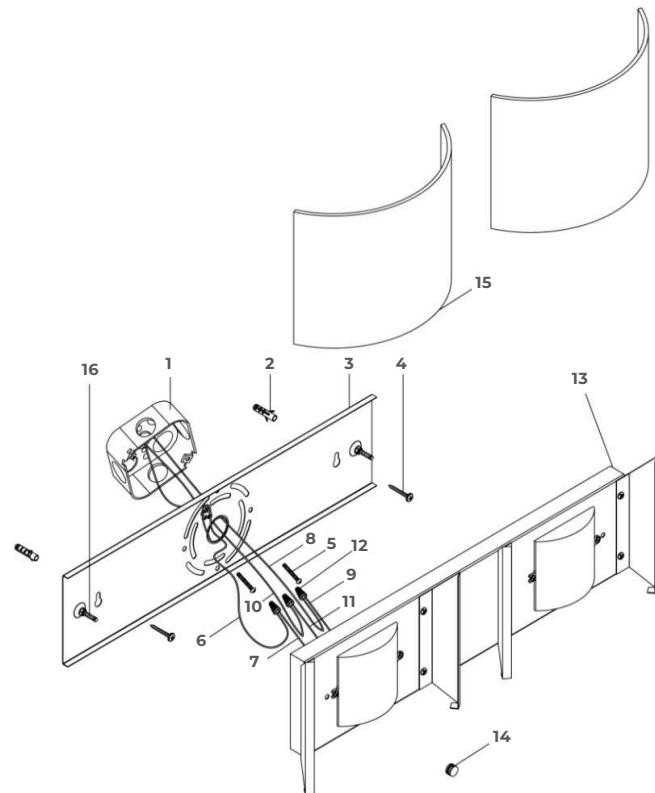
**E)** Position your fixture at the junction box location. Be sure the fixture wires(9)&(11) and the fixture ground wire(7) can reach the junction box(1). Mark the location of the two keyhole slots located on mounting bracket(3). Drill the two appropriately sized holes, insert the plastic anchors(2) into the holes, and screw the anchor screws(4) into the plastic anchors(2). Locate the fixture plate(13) over the anchor screws(4) lining them up with the large openings of the keyhole slots. Then tighten the two anchor screws(4) until the mounting bracket(3) is secured to the wall.

**F)** To make the wiring connections: Connect the supply ground wire(6) to the fixture ground wire(7) with the wire nut(12), connect the white supply wire(8) to the white fixture wire(9) with the wire nut, connect the black supply wire (10) to the black fixture wire(11) with the wire nut, carefully hide all wires behind the fixture plate(13).

**G)** Install the fixture plate(13) over the mounting bracket(3) until the post screws(16) are visibly protruding, and then tighten the fixture nut(14).

**H)** Insert the glass shades(15) into the bracket of the fixture plate(13).

**I)** Installation is complete. 



- 1) Junction Box
- 2) Plastic Anchor
- 3) Mounting Bracket
- 4) Anchor Screw
- 5) Mounting Screw
- 6) Supply Ground Wire
- 7) Fixture Ground Wire
- 8) White Supply Wire
- 9) White Fixture Wire
- 10) Black Supply Wire
- 11) Black Fixture Wire
- 12) Wire Nut
- 13) Fixture Plate
- 14) Fixture Nut
- 15) Glass Shade
- 16) Post Screw

**SAVE THESE INSTRUCTIONS**