



IMPORTANT SAFETY PRECAUTIONS

Before you begin, read these instructions completely and carefully.

- Be certain electrical power is OFF before and during installation, maintenance and removal.
- Luminaire wiring must be properly grounded in accordance with the NEC and any applicable local code requirements.
- Use only UL or IEC approved wire for input/output connections.
- Verify that supply voltage matches voltage on luminaire label. Installation to any other connection may void the warranty.
- Wear gloves during installation to prevent injury and do not expose wiring to metal or sharp edges.
- Do not install in areas subject to combustible vapors or gases. Verify luminaire location ratings are suitable for installation environment (refer to specification sheet as needed).
- Do not restrict luminaire's ventilation by covering with material that will cause luminaire to overheat and potentially shorten the life span.
- Ensure LED luminaire has the correct polarity before installation.



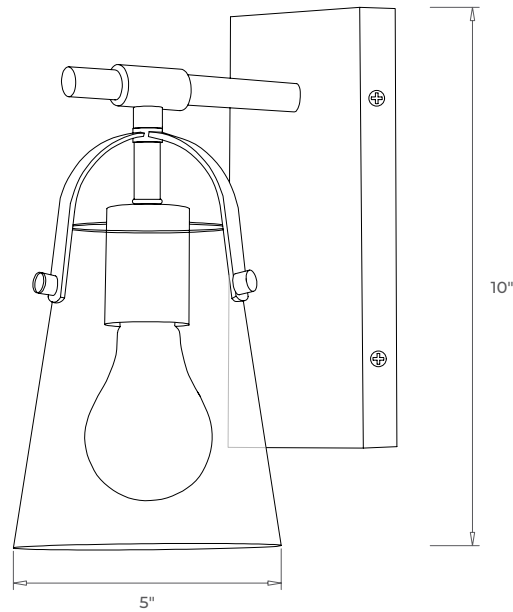
WARNING: To reduce the risk of personal injury or property damage from fire, electrical shock, falling parts, abrasions, burns and all other hazards, read all provided warnings and follow installation instructions.

This product should be installed, inspected and maintained by a qualified and licensed electrician. Installation of luminaire must be in accordance with NEC and local code requirements.

SAVE THESE INSTRUCTIONS




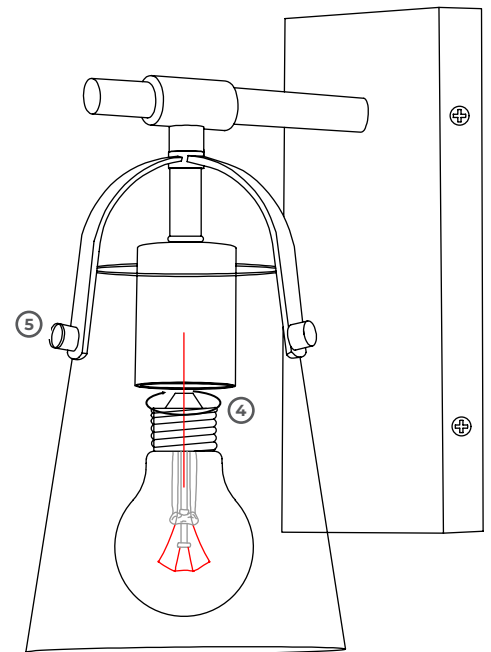
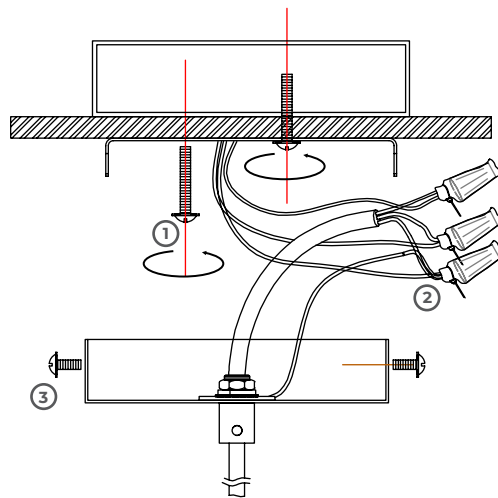
DIMENSIONS



INSTALLATION INSTRUCTIONS

ATTENTION: If the external flexible cable or cord is damaged. It shall be replaced by the manufacturer to avoid any risks. This luminaire is for indoor use only.

- 1) Fasten mounting plate to junction box with provided screws.
- 2) Make electrical connections with provided wire nuts and gently insert wires back into junction box.
- 3) Install canopy over junction box and mounting plate by aligning holes on the side of the mounting plate with the holes on the side of the canopy. Fasten the canopy to the mounting plate using the provided screws.
- 4) Screw lamp into socket.
- 5) Carefully remove the glass shade from packaging and install onto the suspended decorative mounting bracket by aligning the holes with the suspended decorative mounting bracket. Secure the glass shade to the mounting bracket using the provided decorative screws.
- 6) Installation complete. 



KEY



SAVE THESE INSTRUCTIONS

