



IMPORTANT SAFETY PRECAUTIONS

Before you begin, read these instructions completely and carefully.

- Be certain electrical power is OFF before and during installation, maintenance and removal.
- Luminaire wiring must be properly grounded in accordance with the NEC and any applicable local code requirements.
- Use only UL or IEC approved wire for input/output connections.
- Verify that supply voltage matches voltage on luminaire label. Installation to any other connection may void the warranty.
- Wear gloves during installation to prevent injury and do not expose wiring to metal or sharp edges.
- Do not install in areas subject to combustible vapors or gases. Verify luminaire location ratings are suitable for installation environment (refer to specification sheet as needed).
- Do not restrict luminaire's ventilation by covering with material that will cause luminaire to overheat and potentially shorten the life span.
- Ensure LED luminaire has the correct polarity before installation.



WARNING: To reduce the risk of personal injury or property damage from fire, electrical shock, falling parts, abrasions, burns and all other hazards, read all provided warnings and follow installation instructions.

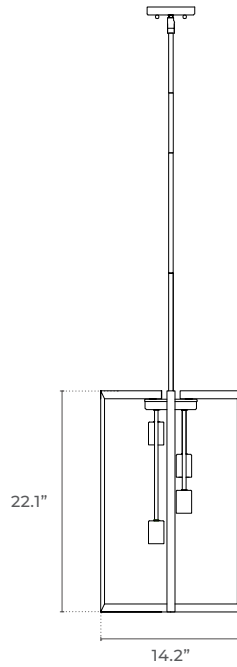
This product should be installed, inspected and maintained by a qualified and licensed electrician. Installation of luminaire must be in accordance with NEC and local code requirements.

SAVE THESE INSTRUCTIONS

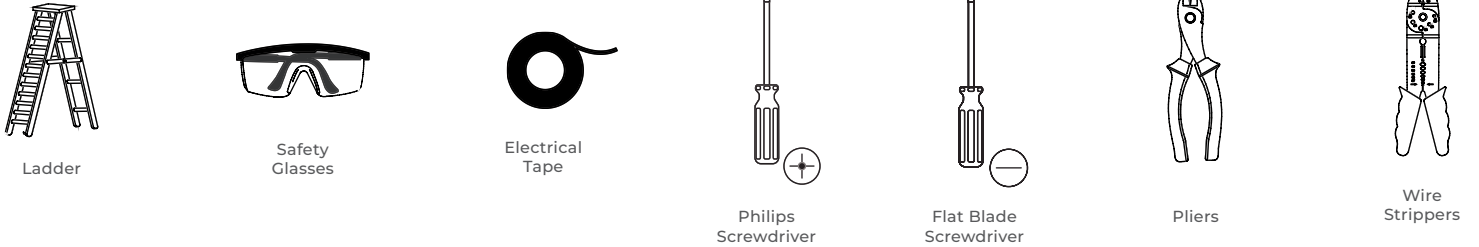


DIMENSIONS

HEIGHT inches	WIDTH inches	DEPTH inches
22.1	14.2	14.2

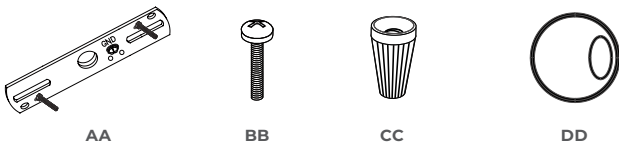


TOOLS REQUIRED



HARDWARE INCLUDED

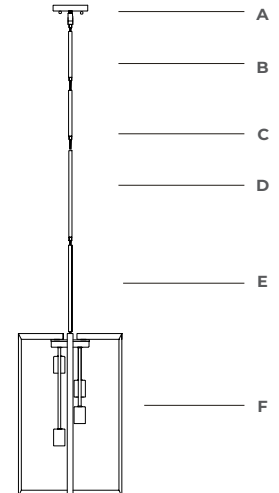
NOTE: Hardware not shown to actual size.



PART	DESCRIPTION	QTY
AA	Mounting bracket	1
BB	Mounting screw	2
CC	Wire nut	3
DD	Cap nut	2

PACKAGE CONTENTS

PART	DESCRIPTION	QTY
A	Canopy	1
B	Tube	1
C	Tube	1
D	Tube	1
E	Tube	1
F	Metal Shade	1

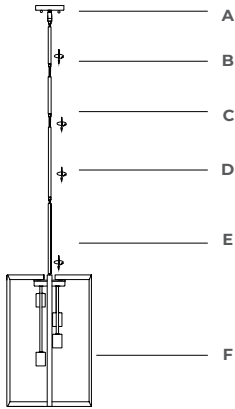


SAVE THESE INSTRUCTIONS



INSTALLATION INSTRUCTIONS

1) Attach fixture body (F) to stem sections (E, D, C, B)

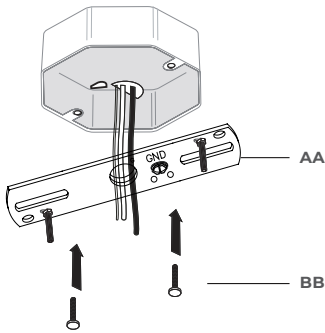


2) Secure assembled fixture body and stem to canopy (A)

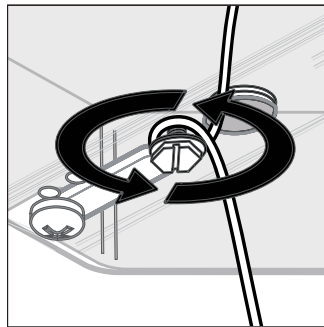
3) Remove the pre-assembled cap for the nut on mounting bracket (AA)

4) Screw the mounting screws (BB) through the holes on mounting bracket (AA) as shown.

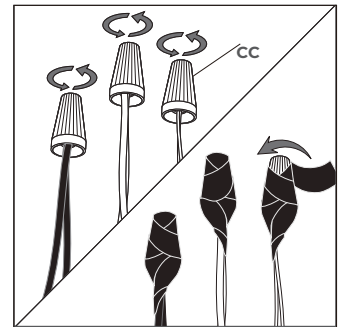
NOTE: The preinstalled support screw on the mounting bracket should protrude away from the junction box



5) Connect the copper wire from canopy (A) to the mounting bracket (AA), securing with pre-installed ground screw.



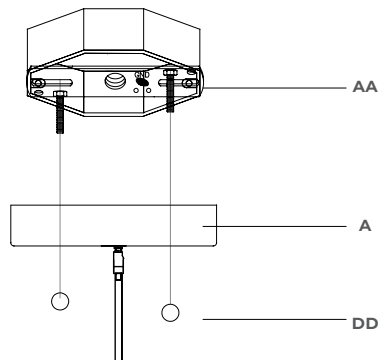
6) Make electrical connections.



7) After connections have been made, tuck them into junction box.

8) Secure canopy (A) to the junction box by placing over the pre-installed support screws on the mounting bracket (AA) and secure using nut caps (DD).

9) Installation complete. 



SAVE THESE INSTRUCTIONS

