



IMPORTANT SAFETY PRECAUTIONS

Before you begin, read these instructions completely and carefully.

- Be certain electrical power is OFF before and during installation, maintenance and removal.
- Fan wiring must be properly grounded in accordance with the NEC and any applicable local code requirements.
- Use only UL or IEC approved wire for input/output connections.
- Verify that supply voltage matches voltage on fan label. Installation to any other connection may void the warranty.
- Wear gloves during installation to prevent injury and do not expose wiring to metal or sharp edges.



WARNING: To reduce the risk of fire, electrical shock, or personal injury, mount this fan to an outlet box marked "Acceptable for Fan Support of 22.7kg (50lbs)" or less and use Mounting Screws provided with the outlet box. CAUTION: Install the primary mounting means and use only the hardware provided with the fan.

To reduce the risk of personal injury, do not bend the blade brackets when installing the brackets, balancing the blades or clearing the fan. Be careful not to insert foreign objects in between rotating fan blades.

To reduce the risk of fire or electrical shock, do not use this fan with any solid-state speed control device.



The important safeguards and instructions appearing in this manual are not meant to cover all possible conditions and situations that may occur. It must be understood that common sense, caution and careful attention to detail are factors which cannot be built into this product. These factors must be supplied by the person or persons installing, caring for, and operating the unit.

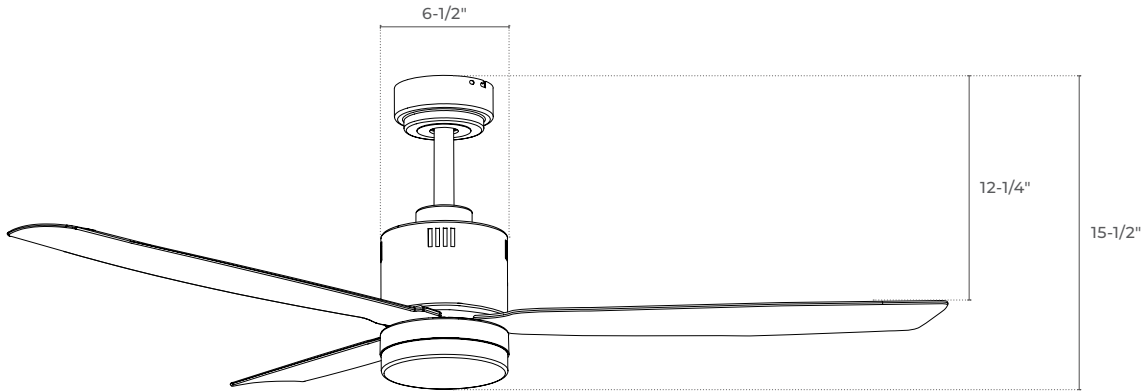
This product should be installed, inspected and maintained by a qualified and licensed electrician. Installation of luminaire must be in accordance with NEC and local code requirements.

SAVE THESE INSTRUCTIONS

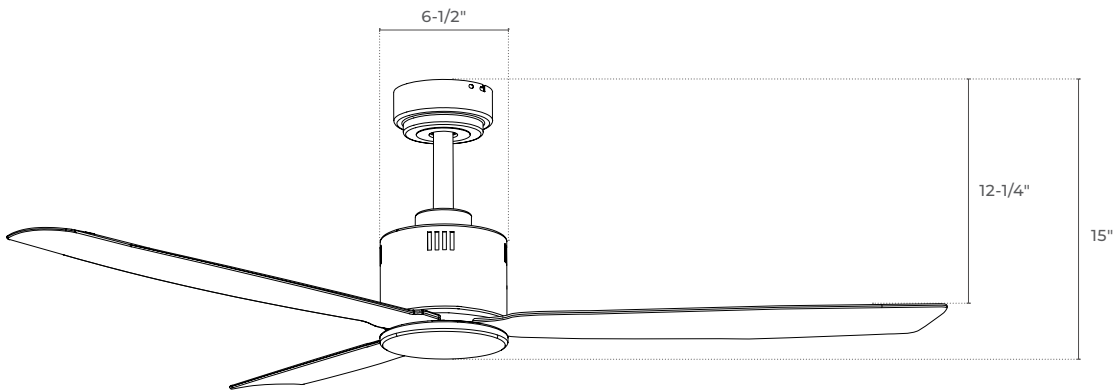


DIMENSIONS

WITH LIGHT KIT



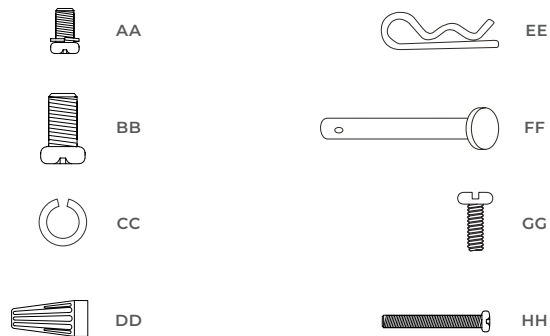
WITHOUT LIGHT KIT



HARDWARE PARTS INCLUDED*

PART NO.	PART DESCRIPTION	QTY
AA	Canopy Screw (preassembled)	4
BB	Blade Screw	8
CC	Spring Washer	8
DD	Wire Nuts	7
EE	Hitch Pin (preassembled)	1
FF	Lock Pin (preassembled)	1
GG	Set Screw (preassembled)	2
HH	Wall Control Mounting Screw	2

*Not to scale

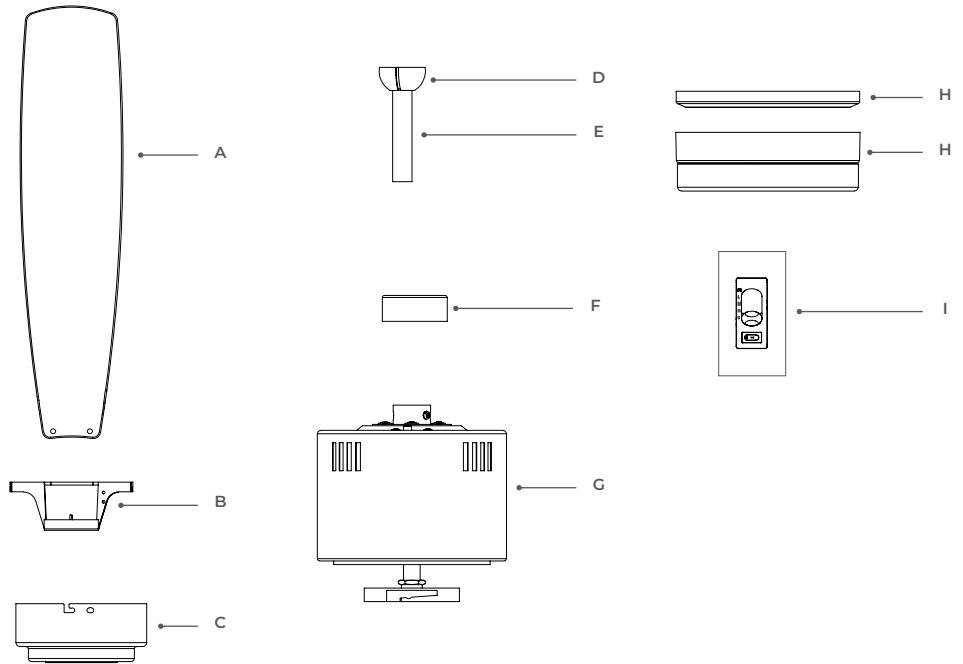


SAVE THESE INSTRUCTIONS



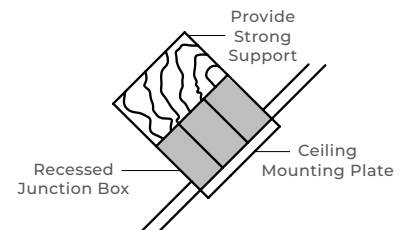
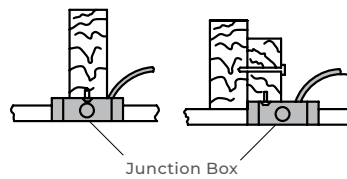
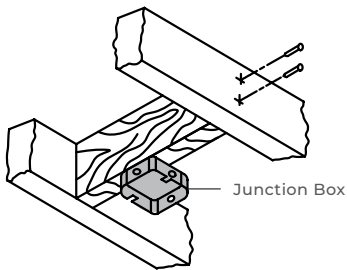
FAN PARTS INCLUDED

PART NO.	PART DESCRIPTION	QTY
A	Blade	3
B	Mounting Bracket	1
C	Canopy	1
D	Hanger Ball (preassembled)	1
E	Downrod (preassembled)	1
F	Coupling Cover	1
G	Fan Motor Assembly	1
H	LED Light Kit or Bottom Cover	1
I	Wall Control	1



INSTALLATION INSTRUCTIONS

- 1) Install a UL-listed junction box using the following instructions.
- 2) Disconnect the power by removing the fuses or turning off the circuit breakers
- 3) Secure the junction box directly to the building structure. Use the appropriate fasteners and materials. The junction box and its bracing must be able to fully support the weight of the moving fan (at least 35 lbs). Do not use a plastic junction box.
- 4) The illustrations below show three different ways to mount the junction box.



- 5) If the canopy touches the downrod, then remove the decorative canopy bottom cover, and turn the canopy 180° before attaching the canopy to the mounting plate.
 - 6) To hang your fan where there is an existing fixture but no ceiling joist you may need an installation hanger bar as shown above.
- NOTE:** You may need a longer downrod to maintain proper blade clearance when installing on a steep, sloped ceiling. The maximum angle allowable is 23° away from horizontal.

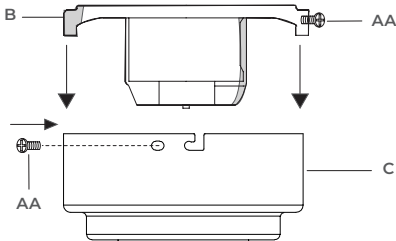
SAVE THESE INSTRUCTIONS



ASSEMBLY - STANDARD CEILING MOUNT

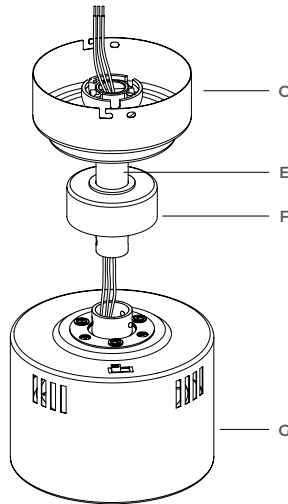
1) Preparing for mounting:

- Loosen the two canopy screws (AA) located in the "L shaped" slots.
- Remove and save the two canopy screws (AA) in the round holes.



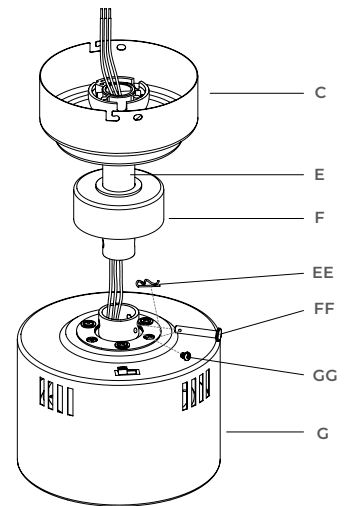
2) Routing the wires:

- Route the wires exiting the top of the fan motor assembly (G) into the coupling cover (F).
- Make sure the slot openings are on top and route the wires through the canopy (C) and then through the downrod (E) assembly.



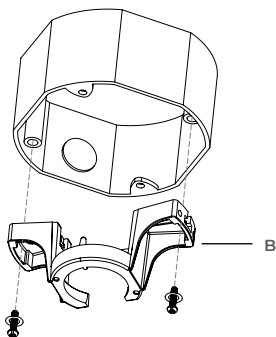
3) Assembling the fan:

- Loosen the set screws (GG) in the downrod coupler until the inside of the channel is clear of the screw tip.
- Remove and save the lock pin (FF) on the end of the downrod (E).
- Slide the ceiling canopy (C) onto the downrod (E) followed by the coupling cover.
- Attach the downrod (E) into the coupler until the lock pin (FF) can be inserted through the hole in both the rod and coupler.
- Insert the lock pin (FF) through the hole in the coupler and downrod (E) then attach the hitch pin (EE) on the other side.
- Tighten both set screws on the coupler.



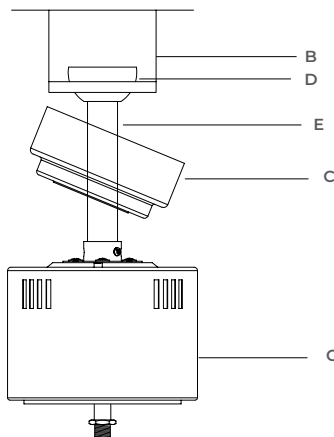
4) Attaching the fan to the junction box:

- Pass the 120V supply wires through the center hole in the mounting bracket (B).
- Install the ceiling mounting bracket (B) on the junction box using the two mounting screws provided with the junction box. If necessary use leveling washers (not included) between the mounting bracket (B) and junction box.
- Note that the flat side of the mounting bracket (B) is toward the junction box. When using flush mount, it is important that the mounting bracket be level.
- Securely tighten the two junction box screws.



5) Hanging the fan:

- Carefully lift the fan motor assembly (G) up to the mounting bracket (B).
- Seat the hanger ball (D) portion of the downrod assembly (E) in the mounting bracket socket. Ensure that the tab on the mounting bracket (B) socket is properly seated in the groove in the hanger ball. If using flush mount, hang the fan on the hook provided by utilizing one of the holes at the outer rim of the ceiling canopy (C).



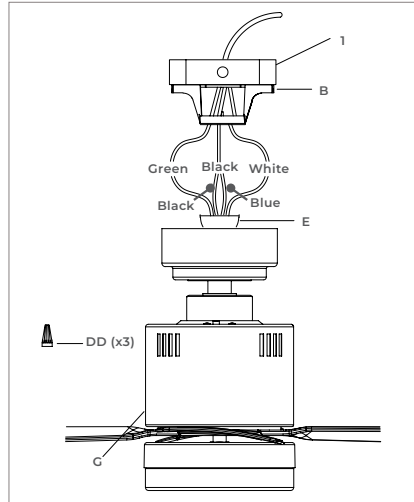
SAVE THESE INSTRUCTIONS



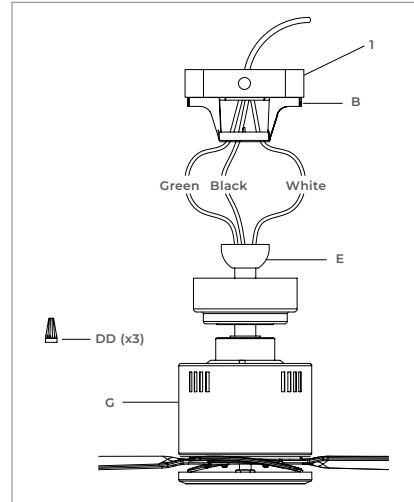
ASSEMBLY - STANDARD CEILING MOUNT (CONTINUED)

6) Making the electrical connections:

- Follow the steps below to connect the fan to your supply wires. Secure the wire nuts (DD) supplied with your fan by wrapping the connections with electrical tape.
- Connect the Black (live) wire from the ceiling to the Black wire and Blue wire from the fan motor assembly (G).
- Connect the White (neutral) wire from the ceiling to the White wire from the fan motor assembly (G).
- Connect the ground conductor of the 120V supply (this may be a bare wire or a wire with green colored insulation) to the green ground lead(s) of the fan. There are two green grounding leads: one from the mounting bracket (B) and one from the hanger ball/downrod (E) assembly.
- Secure the wire connections with plastic wire nuts (DD) provided with the electrical hardware.
- After connecting the wires, spread them apart so that the green and white wires are on one side of the junction box (I) and the black and blue wires are on the other side. Carefully tuck the wire connections up into the junction box (I).



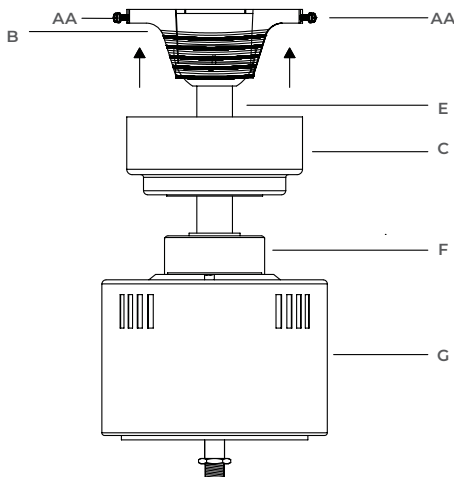
WITH LIGHT KIT



WITHOUT LIGHT KIT

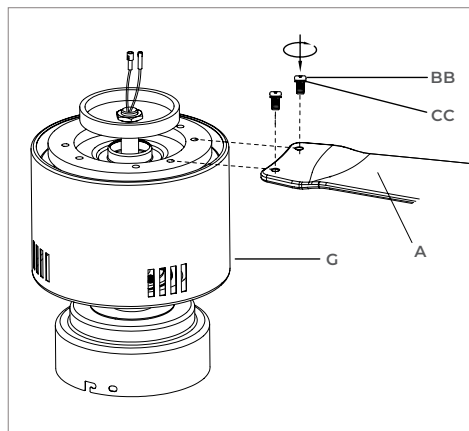
7) Mounting the fan:

- Align the locking slots of the ceiling canopy (C) with the two canopy screws (AA) in the mounting bracket (B). Push up to engage the slots and turn clockwise to lock in place.
- Firmly tighten the two canopy screws (AA).
- Install the two canopy screws (AA) (saved from Assembly Step 1 "Preparing for mounting") into the holes in the canopy (C) and tighten firmly.

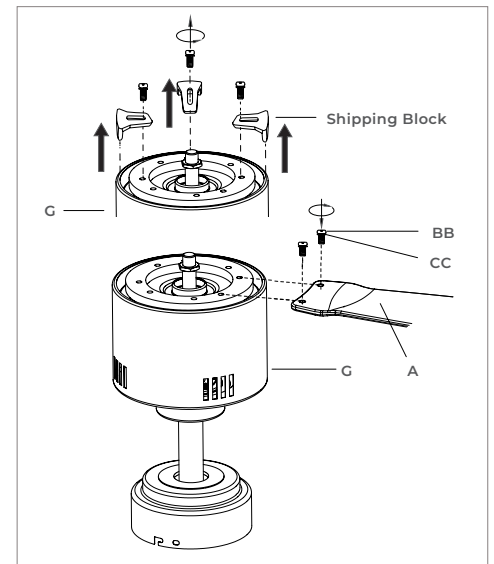


8) Attaching the fan blades:

- Attach the fan blades (A) to the fan motor assembly (G) by using the blade screws (BB) and spring washers (CC). Tighten blade screws (BB) securely.
- Repeat these steps for the remaining blades (A).



WITH LIGHT KIT



WITHOUT LIGHT KIT

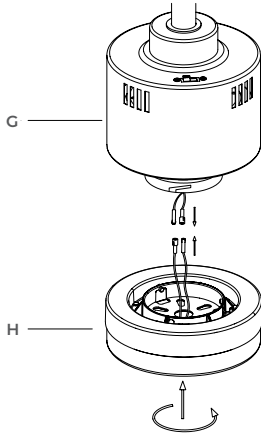
SAVE THESE INSTRUCTIONS



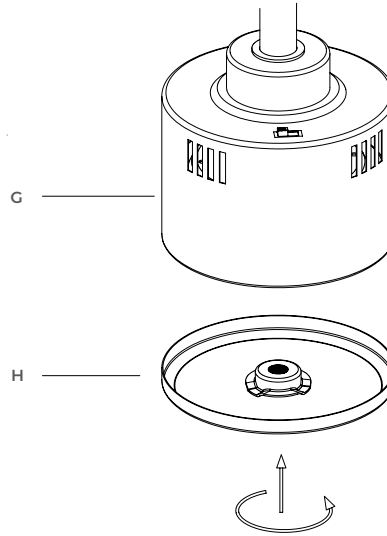
ASSEMBLY - STANDARD CEILING MOUNT (CONTINUED)

9) Installing the LED light kit (if applicable):

- A wire connector (female) is located inside the electrical switch housing and a male connector extends from the light kit. Push them together.
- A wire connector (male) is located inside the electrical switch housing and a female connector extends from the light kit. Push them together.
- Place the lamp (H) into the electrical switch housing aligning the three flat areas on the lamp (H) with the three raised dimples in the lamp (H). Turn the lamp (H) clockwise until it stops.



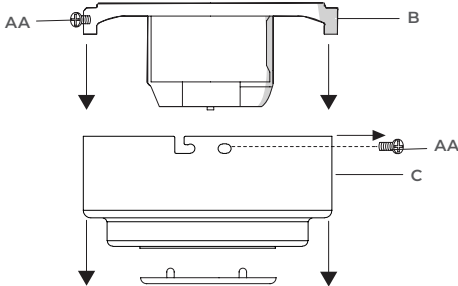
- 10) If the fan does not have an LED light kit, install the bottom cover by placing the bottom cover (H) into the fan motor assembly (G) and rotate securely.**



ASSEMBLY - FLUSH MOUNT

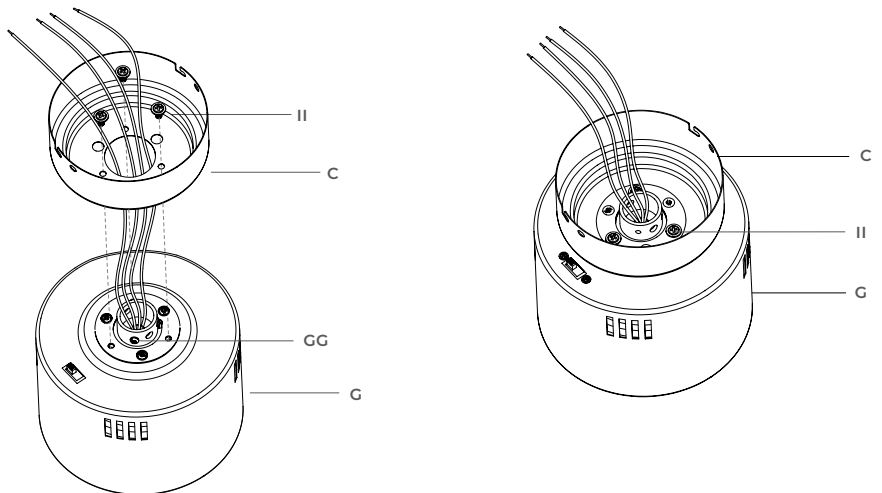
1) Preparing for mounting:

- Loosen the two canopy screws (AA) located in the "L shaped" slots.
- Remove and save the two canopy screws (AA) in the round holes.
- Remove the decorative canopy bottom cover from the canopy (C).



2) Routing the wires:

- Loosen three mounting screws in the coupler located in the center of the motor housing until the inside channel is clear.
- Remove and save the set screw (GG) from the coupler.
- Place the ceiling canopy (C) on top of the motor housing and secure with the three mounting screws (II).



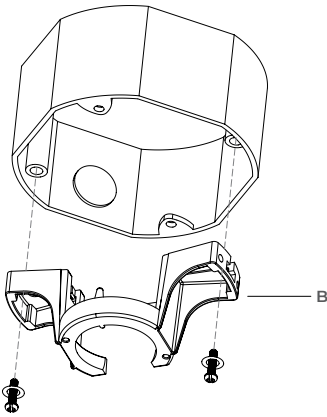
SAVE THESE INSTRUCTIONS



ASSEMBLY - FLUSH MOUNT (CONTINUED)

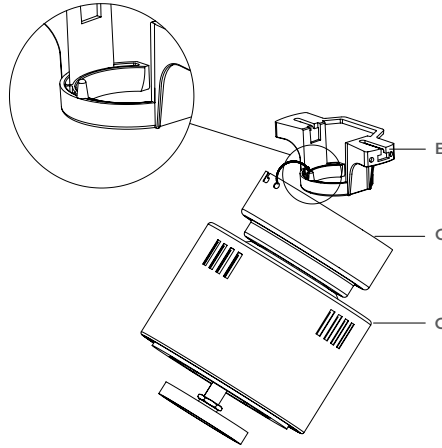
3) Attaching the fan to the junction box:

- Pass the 120V supply wires through the center hole in the mounting bracket (B).
- Install the ceiling mounting bracket (B) on the junction box using the two mounting screws provided with the junction box. If necessary use leveling washers (not included) between the mounting bracket (B) and junction box.
- Note that the flat side of the mounting bracket (B) is toward the junction box. It is important that the mounting bracket be level.
- Securely tighten the two junction box screws.



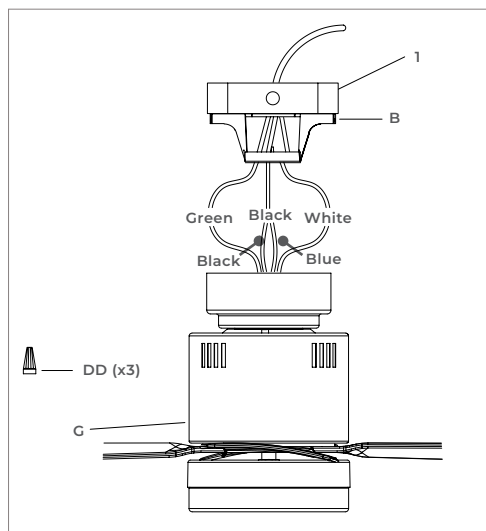
4) Hanging the fan:

- Carefully lift the fan motor assembly (G) up to the mounting bracket (B).
- Hang the fan on the hook provided by utilizing one of the holes at the outer rim of the ceiling canopy (C).

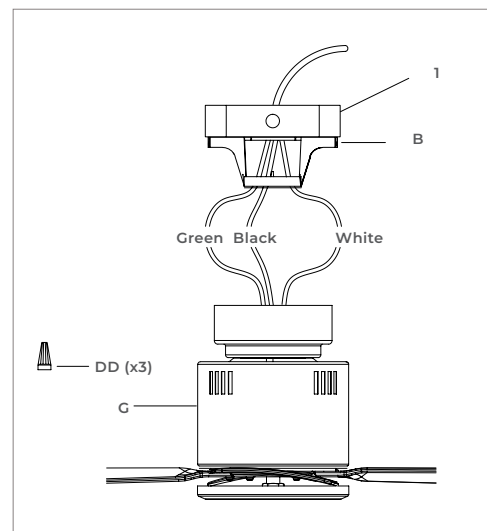


5) Making the electrical connections:

- Follow the steps below to connect the fan to your supply wires. Secure the wire nuts (DD) supplied with your fan by wrapping the connections with electrical tape.
- Connect the Black (live) wire from the ceiling to the Black wire and Blue wire from the fan motor assembly (G).
- Connect the White (neutral) wire from the ceiling to the White wire from the fan motor assembly (G).
- Connect the ground conductor of the 120V supply (this may be a bare wire or a wire with green colored insulation) to the green ground lead(s) of the fan. There is only one green ground lead from the mounting bracket (B), since the hanger ball/downrod assembly is not used.
- Secure the wire connections with plastic wire nuts (DD) provided with the electrical hardware.
- After connecting the wires, spread them apart so that the green and white wires are on one side of the junction box (I) and the black and blue wires are on the other side. Carefully tuck the wire connections up into the junction box (I).



WITH LIGHT KIT



WITHOUT LIGHT KIT

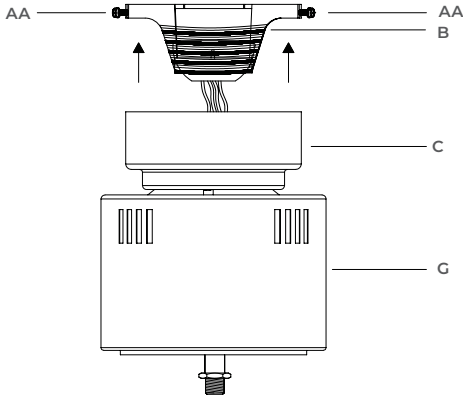
SAVE THESE INSTRUCTIONS



ASSEMBLY - FLUSH MOUNT (CONTINUED)

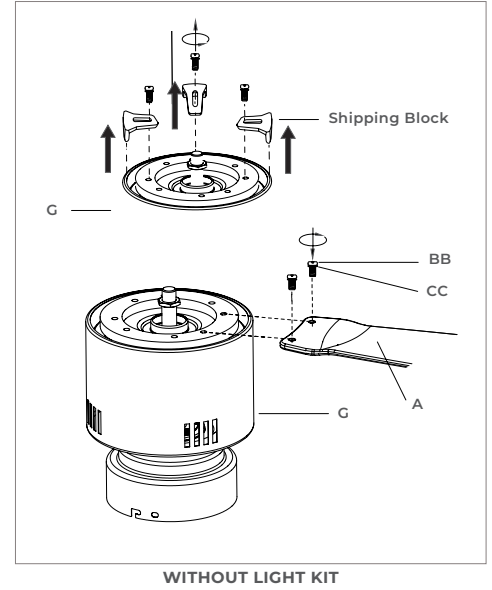
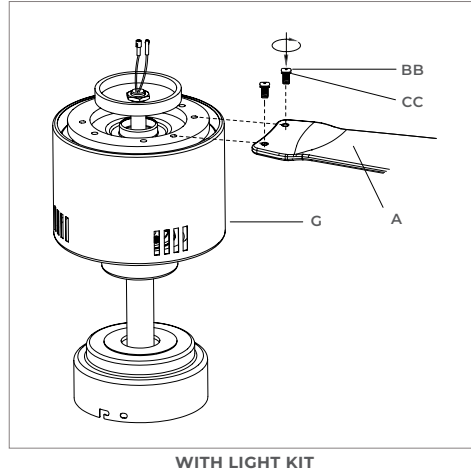
6) Mounting the fan:

- Carefully unhook the fan from the mounting bracket (B) and align the locking slots of the ceiling canopy (C) with the two screws in the mounting bracket (B). Push up to engage the slots and turn clockwise to lock the canopy (C) in place. Immediately tighten the two canopy screws (AA) firmly.
- Install the remaining two canopy screws (AA) into the holes in the canopy (C) and tighten firmly.



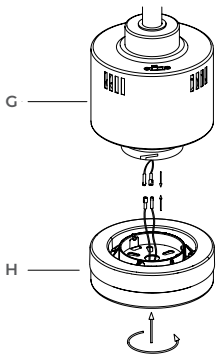
7) Attaching the fan blades:

- Attach the fan blades (A) to the fan motor assembly (G) by using the blade screws (BB) and spring washers (CC). Tighten blade screws (BB) securely.
- Repeat these steps for the remaining blades (A).

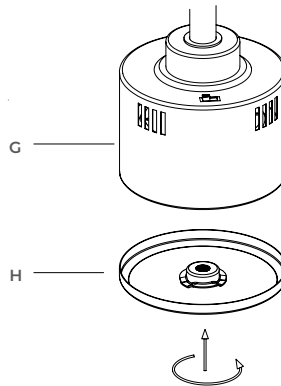


8) Installing the LED light kit (if applicable):

- A wire connector (female) is located inside the electrical switch housing and a male connector extends from the light kit. Push them together.
- A wire connector (male) is located inside the electrical switch housing and a female connector extends from the light kit. Push them together.
- Place the lamp (H) into the electrical switch housing aligning the three flat areas on the lamp (H) with the three raised dimples in the lamp (H). Turn the lamp (H) clockwise until it stops.



- 9) If the fan does not have an LED light kit, install the bottom cover by placing the bottom cover (H) into the fan motor assembly (G) and rotate securely.**



SAVE THESE INSTRUCTIONS



WALL CONTROL INSTALLATION

1) Disconnect the power and remove the existing wall plate and switch. Set all knobs on the dual slide wall-mounted control in the OFF position. Installation of this control requires that a three conductor cable with ground wire be run between the control wall box and the ceiling fan junction box. Make wire connections and secure with wire nuts supplied.

2) Connect the Black (live) wire from the power supply to the Black wire "AC IN L" from the wall-mounted control.

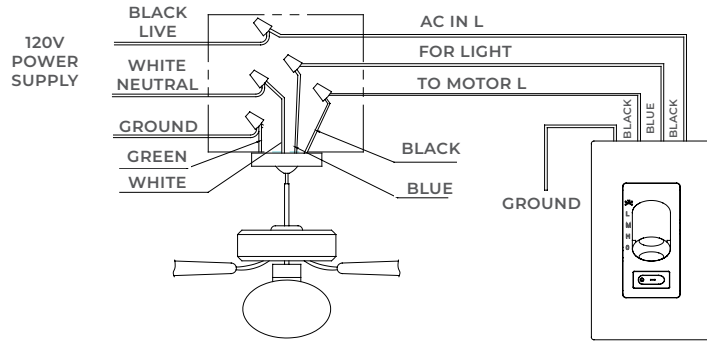
3) Connect the White (neutral) wire from the power supply to the White wire from the fan motor assembly (G).

4) Connect the Black wire from ceiling fan to the Black wire "TO MOTOR L" from the wall-mounted control.

5) Connect the Blue wire from ceiling fan to the Blue wire "FOR LIGHT" from the wall-mounted control.

6) Make sure to use wire nuts on all connections

7) Push the control unit into the switch box and secure it with the two screws at each end of the unit (this procedure is the same as if you were to put the original wall switch back into the wall). Now attach the face plate to the wall control.



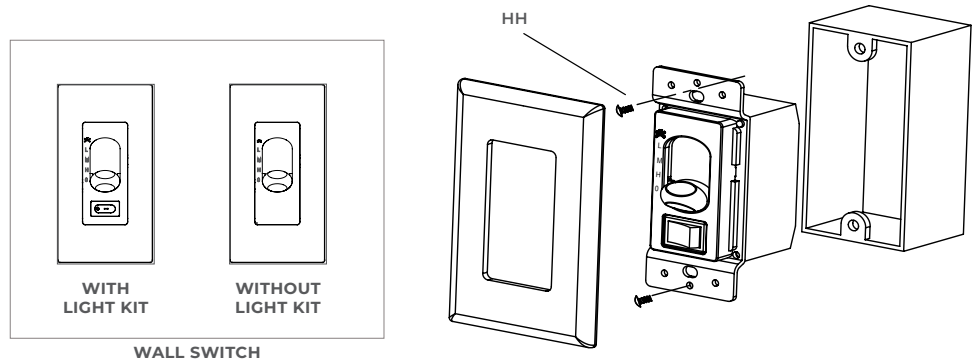
WALL CONTROL OPERATION

SPEED CONTROL

- **O**: Power Off
- **H**: High Speed
- **M**: Medium Speed
- **L**: Low Speed

LIGHT CONTROL

- **O**: Power Off
- **- :** Power On

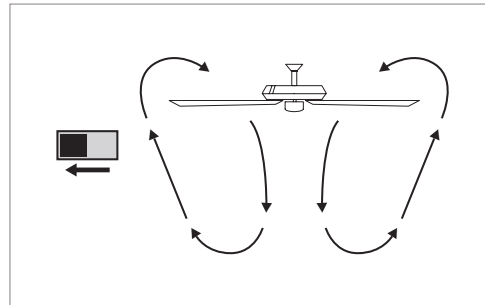


REVERSE SWITCH OPERATION

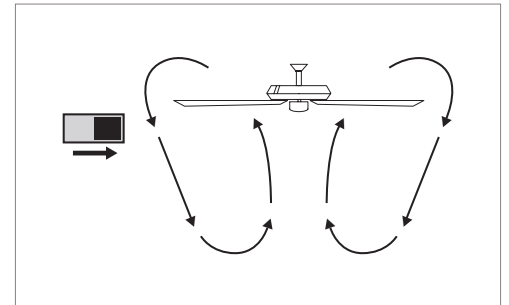
The reverse switch is located on the surface of the motor assembly. This switch controls directions: forward (switch left) or reverse (switch right).

Warm Weather - (Counterclockwise Direction) A downward air flow creates a cooling effect. This allows you to set your air conditioner on a warmer setting without affecting your comfort.

Cool weather - (Clockwise Direction) An upward air flow moves warm air off the ceiling. This allows you to set your heating unit on a cooler setting without affecting your comfort.



WARM WEATHER



COOL WEATHER

CARE + CLEANING

WARNING: Make sure the power is off before cleaning your fan.

- Because of the fan's natural movement, some connections may become loose. Check the support connections, brackets, and blade attachments twice a year. Make sure they are secure. It is not necessary to remove the fan from the ceiling.
- Clean your fan periodically to help maintain its new appearance over the years. Do not use water when cleaning, as this could damage the motor, or the wood, or possibly cause an electrical shock. Use only a soft brush or lint-free cloth to avoid scratching the finish. The plating is sealed with a lacquer to minimize discoloration or tarnishing.
- You can apply a light coat of furniture polish to the wood for additional protection and enhanced beauty. Cover small scratches with a light application of shoe polish.
- You do not need to oil your fan. The motor has permanently-lubricated sealed ball bearings.
- Always unplug the fan before cleaning, disassembly or servicing.

SAVE THESE INSTRUCTIONS



TROUBLESHOOTING

PROBLEM	SOLUTION
The fan will not start.	<ul style="list-style-type: none"> • Check the main and branch circuit fuses or breakers. • Check the line wire connections to the fan and switch wire connections in the switch housing. • Check the battery in the remote control. • Ensure you are in the normal range of 10-20 feet. • Turn the power off and ensure that the dip switch settings are the same on the remote control and receiver.
The fan is noisy.	<ul style="list-style-type: none"> • Ensure all motor housing screws are snug. • Ensure the screws that attach the fan blade bracket to the motor hub are tight. • Ensure the wire nut connections are not rattling against each other or the interior wall of the switch housing. • Allow a 24-hour "breaking in" period. Most noises associated with a new fan disappear during this time. • If you are using the Ceiling Fan light kit, ensure the screws securing the glassware are tight. Check that the light bulbs are also secure. • Ensure the canopy is a short distance from the ceiling. It should not touch the ceiling. • Ensure your outlet box is secure and rubber isolator pads were used between the mounting plate and outlet box.
The fan wobbles.	<ul style="list-style-type: none"> • Check that all blade and blade arm screws are secure. • Most fan wobble problems are caused when blade levels are unequal. Check this level by selecting a point on the ceiling above the tip of one of the blades. Measure from a point on the center of the blade to the point on the ceiling. Rotate the fan until the next blade is positioned for measurement, and measure from the same point on each blade to the ceiling. Repeat for each blade. Any measurement deviation should be within 1/8 in. Run the fan for ten minutes. If the fan continues to wobble please contact SAGE Brands Customer Service and a balancing kit will be sent to you at no charge.

SAVE THESE INSTRUCTIONS

