



IMPORTANT SAFETY PRECAUTIONS

Before you begin, read these instructions completely and carefully.

- Be certain electrical power is OFF before and during installation, maintenance and removal.
- Luminaire wiring must be properly grounded in accordance with the NEC and any applicable local code requirements.
- Use only UL or IEC approved wire for input/output connections.
- Verify that supply voltage matches voltage on luminaire label. Installation to any other connection may void the warranty.
- Wear gloves during installation to prevent injury and do not expose wiring to metal or sharp edges.
- Do not install in areas subject to combustible vapors or gases. Verify luminaire location ratings are suitable for installation environment (refer to specification sheet as needed).
- Do not restrict luminaire's ventilation by covering with material that will cause luminaire to overheat and potentially shorten the life span.



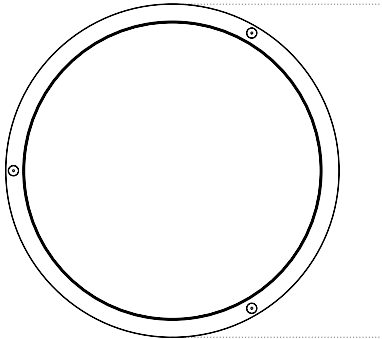
WARNING: To reduce the risk of personal injury or property damage from fire, electrical shock, falling parts, abrasions, burns and all other hazards, read all provided warnings and follow installation instructions.

This product should be installed, inspected and maintained by a qualified and licensed electrician. Installation of luminaire must be in accordance with NEC and local code requirements.

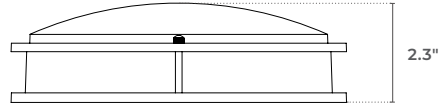
SAVE THESE INSTRUCTIONS




DIMENSIONS



BARS-QS-14: Ø14"
BARS-QS-16: Ø16"



INSTALLATION INSTRUCTIONS

- A)** Thread the enclosed mounting screws into junction box mounting holes, and partially tighten the screws.
- B)** Pull the power supply wires out from the junction box. Using wire nuts, connect the black supply wire [hot] to the black luminaire wire, the white supply wire [neutral] to the white luminaire wire, and the supply ground wire to the green luminaire wire.
- C)** After all electrical connections are secure, install the fixture housing to the junction box by sliding the housing keyhole slots over the mounting screws. Rotate the luminaire housing clockwise until the screws slide into the narrow-ends of the keyhole slots. Securely tighten the mounting screws.
- D)** Attach the lens to the luminaire housing by rotating the lens until the lens is securely in place.
- E)** Installation is complete. 

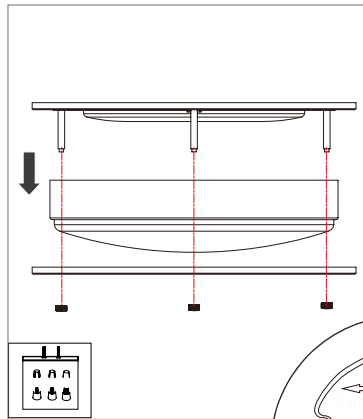


FIGURE 1

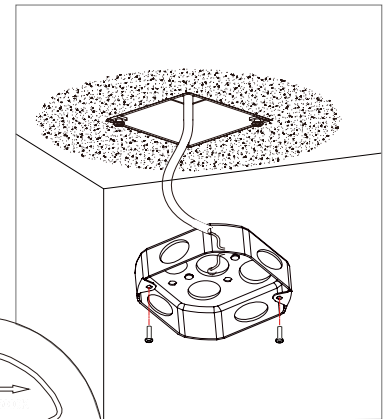


FIGURE 2

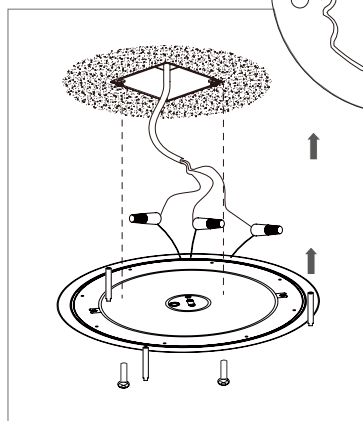


FIGURE 3

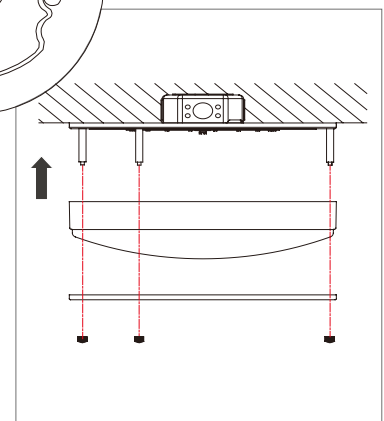


FIGURE 4

SAVE THESE INSTRUCTIONS

