



IMPORTANT SAFETY PRECAUTIONS

Before you begin, read these instructions completely and carefully.

- Be certain electrical power is OFF before and during installation, maintenance and removal.
- Luminaire wiring must be properly grounded in accordance with the NEC and any applicable local code requirements.
- Use only UL or IEC approved wire for input/output connections.
- Verify that supply voltage matches voltage on luminaire label. Installation to any other connection may void the warranty.
- Wear gloves during installation to prevent injury and do not expose wiring to metal or sharp edges.
- Do not install in areas subject to combustible vapors or gases. Verify luminaire location ratings are suitable for installation environment (refer to specification sheet as needed).
- Do not restrict luminaire's ventilation by covering with material that will cause luminaire to overheat and potentially shorten the life span.
- Ensure LED luminaire has the correct polarity before installation.



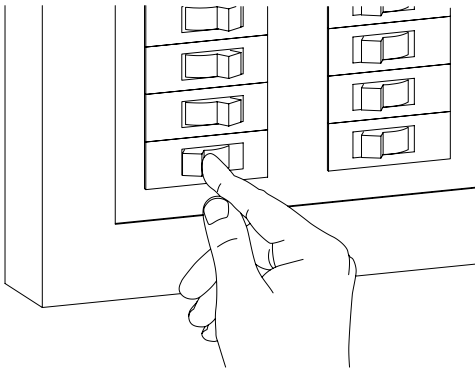
WARNING: To reduce the risk of personal injury or property damage from fire, electrical shock, falling parts, abrasions, burns and all other hazards, read all provided warnings and follow installation instructions.

This product should be installed, inspected and maintained by a qualified and licensed electrician. Installation of luminaire must be in accordance with NEC and local code requirements.

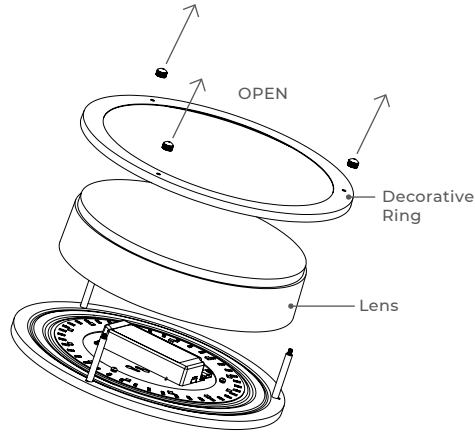
SAVE THESE INSTRUCTIONS

INSTALLATION

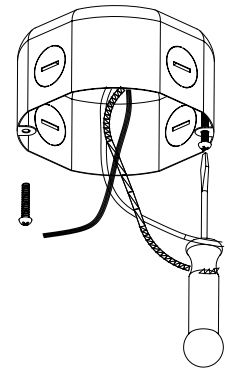
A) For safety, shut off the power at the circuit breaker.



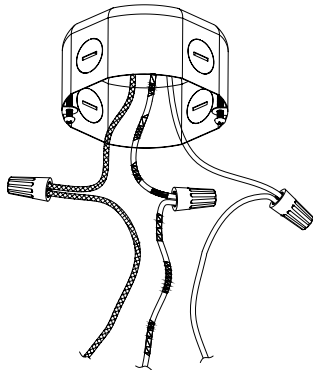
B) Unscrew the three nuts and remove the decorative ring and lens.



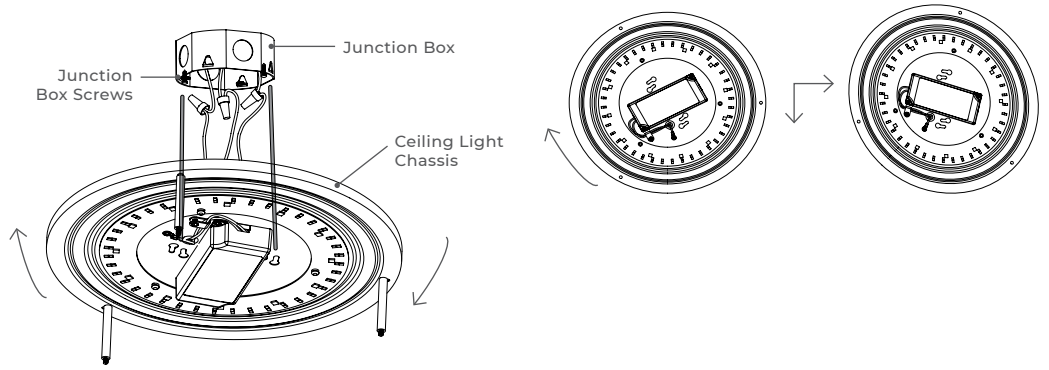
C) Drive the screws into the junction box leaving approximately 1/3 of the screw length exposed below.



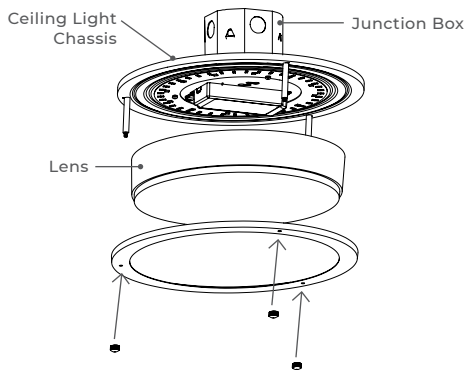
D) Connect the three input wires (Black is L, White is N, Blue and Yellow are Ground lines).



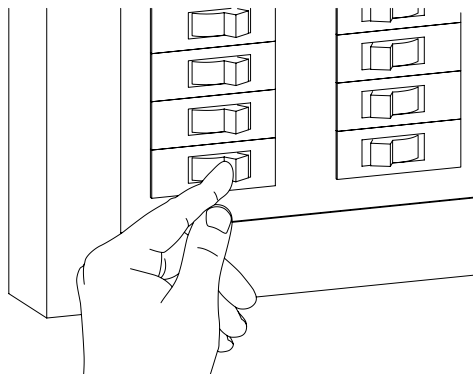
E) Align the ceiling light chassis with the junction box screws. Attach the ceiling light chassis by rotating counterclockwise, then use a screwdriver to fasten the junction box screws.



F) Align the lens with the decorative ring, attach to the three posts of the ceiling light chassis, and tighten the nuts.



G) Finally, turn on the power at the circuit breaker.



SAVE THESE INSTRUCTIONS