



IMPORTANT SAFETY PRECAUTIONS

Before you begin, read these instructions completely and carefully.

- Be certain electrical power is OFF before and during installation, maintenance and removal.
- Luminaire wiring must be properly grounded in accordance with the NEC and any applicable local code requirements.
- Use only UL or IEC approved wire for input/output connections.
- Verify that supply voltage matches voltage on luminaire label. Installation to any other connection may void the warranty.
- Wear gloves during installation to prevent injury and do not expose wiring to metal or sharp edges.
- Do not install in areas subject to combustible vapors or gases. Verify luminaire location ratings are suitable for installation environment (refer to specification sheet as needed).
- Do not restrict luminaire's ventilation by covering with material that will cause luminaire to overheat and potentially shorten the life span.
- Ensure LED luminaire has the correct polarity before installation.

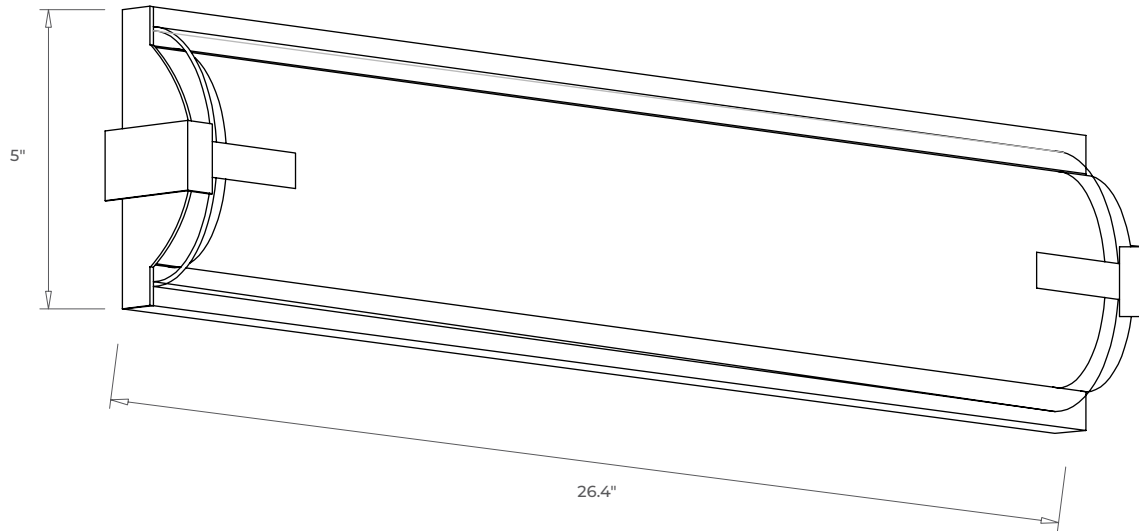


WARNING: To reduce the risk of personal injury or property damage from fire, electrical shock, falling parts, abrasions, burns and all other hazards, read all provided warnings and follow installation instructions.

This product should be installed, inspected and maintained by a qualified and licensed electrician. Installation of luminaire must be in accordance with NEC and local code requirements.


SAVE THESE INSTRUCTIONS

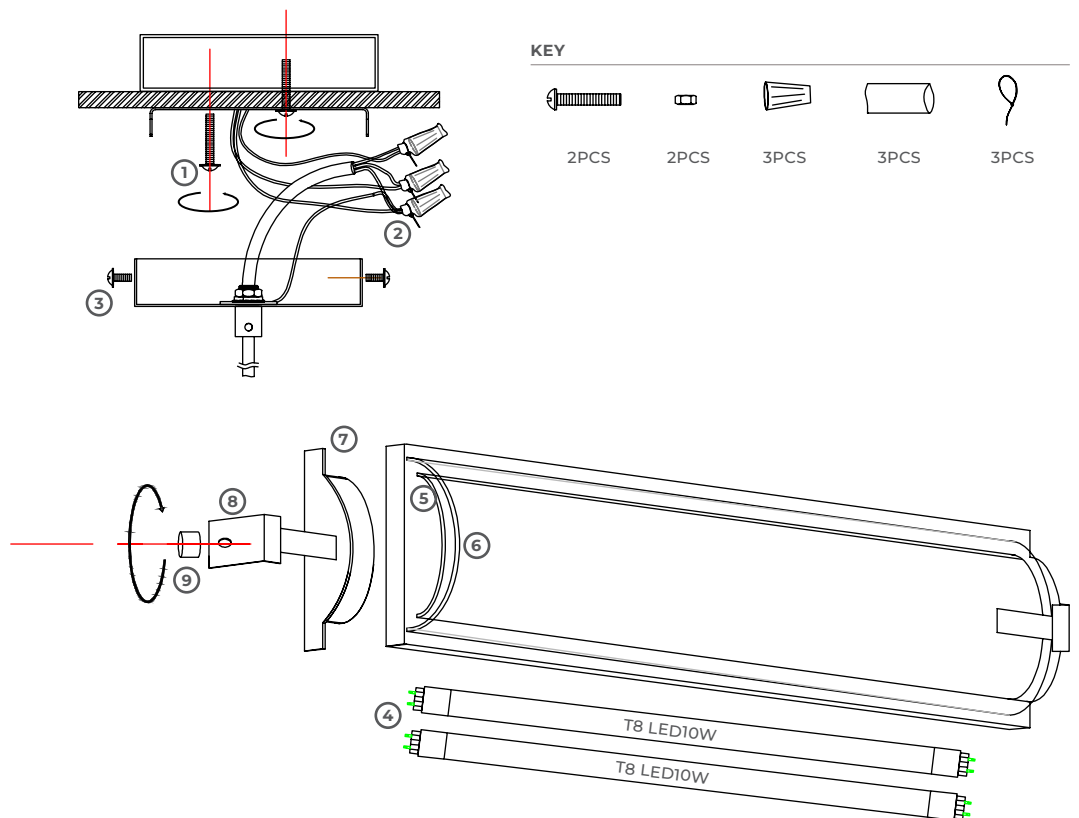
DIMENSIONS



INSTALLATION INSTRUCTIONS

ATTENTION: If the external flexible cable or cord is damaged. It shall be replaced by the manufacturer to avoid any risks. This luminaire is for indoor use only.

- 1) Fasten mounting plate to junction box with provided screws.
- 2) Make electrical connections with provided wire nuts and gently insert wires back into junction box.
- 3) Install fixture over junction box and mounting plate by aligning holes on the side of the fixture with the holes on the side of the mounting plate. Fasten the fixture to the mounting plate with provided screws.
- 4) With the lenses removed, install the T8 lamps into each socket.
- 5) Carefully remove the inner frosted lens from packaging and install on the fixture.
- 6) Carefully remove the outer clear lens from packaging and install on the fixture.
- 7) Install the larger end caps to each side of the fixture so the inner frosted lens is held in place.
- 8) Install the smaller decorative end piece to each side of fixture so the outer clear lens is held in place.
- 9) Secure the decorative end piece to the end cap with the provided screws and decorative nuts.
- 10) Make sure assembly is tight and secure. Installation complete. 



SAVE THESE INSTRUCTIONS