



IMPORTANT SAFETY PRECAUTIONS

Before you begin, read these instructions completely and carefully.

- Be certain electrical power is OFF before and during installation, maintenance and removal.
- Luminaire wiring must be properly grounded in accordance with the NEC and any applicable local code requirements.
- Use only UL or IEC approved wire for input/output connections.
- Verify that supply voltage matches voltage on luminaire label. Installation to any other connection may void the warranty.
- Wear gloves during installation to prevent injury and do not expose wiring to metal or sharp edges.
- Do not install in areas subject to combustible vapors or gases. Verify luminaire location ratings are suitable for installation environment (refer to specification sheet as needed).
- Do not restrict luminaire's ventilation by covering with material that will cause luminaire to overheat and potentially shorten the life span.
- Ensure LED luminaire has the correct polarity before installation.



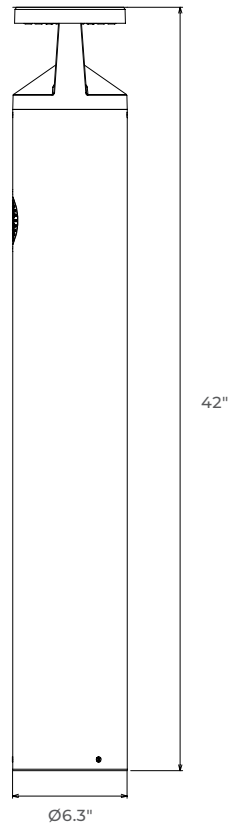
WARNING: To reduce the risk of personal injury or property damage from fire, electrical shock, falling parts, abrasions, burns and all other hazards, read all provided warnings and follow installation instructions.

This product should be installed, inspected and maintained by a qualified and licensed electrician. Installation of luminaire must be in accordance with NEC and local code requirements.

SAVE THESE INSTRUCTIONS



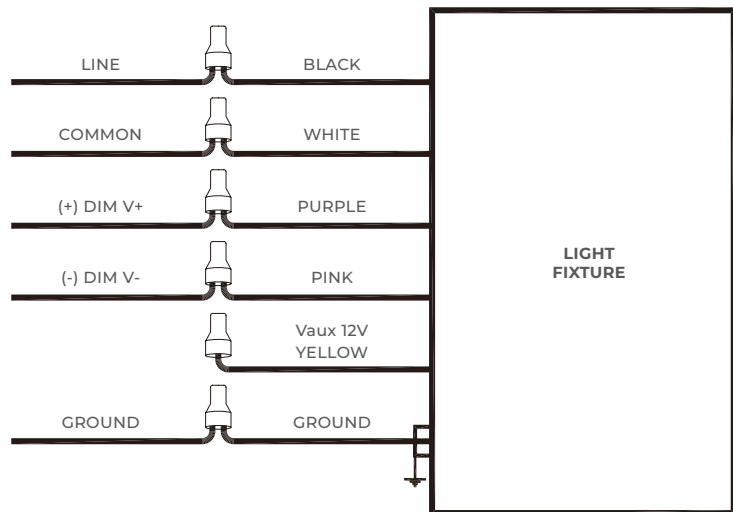
DIMENSIONS



WIRING DIAGRAM

Universal voltage driver permits operations at 120V thru 277V, 50 or 60Hz. For 0-10V Dimming, follow the wiring directions.

- 1) Connect the black fixture lead to the LINE supply lead.
- 2) Connect the white fixture lead to the COMMON supply lead.
- 3) Connect the GROUND wire from fixture to supply ground. Do NOT connect the ground of the dimming fixture to the output.
- 4) Connect the purple fixture lead to the (V+) DIM lead.
- 5) Connect the pink fixture lead to the (V-) DIM lead.
- 6) Cap the yellow fixture lead, if present. Do NOT connect.

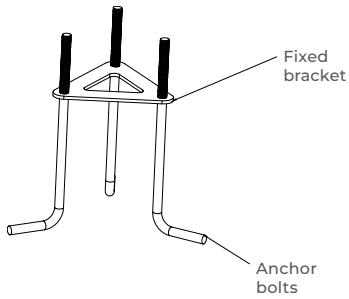


SAVE THESE INSTRUCTIONS

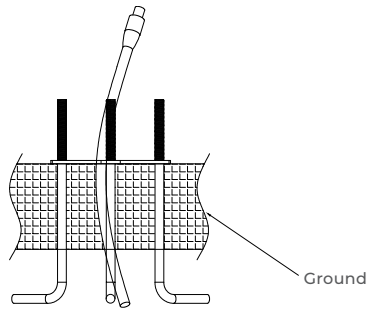


INSTALLATION INSTRUCTIONS

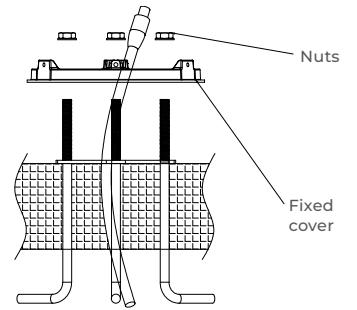
A) The anchor bolts are installed on the fixed bracket.



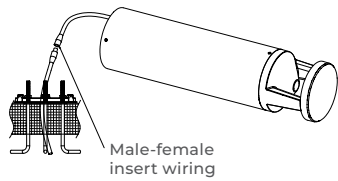
B) Install the anchor bolts and bury them into the ground, and lead out the terminals.



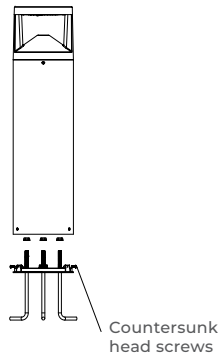
C) Secure the fixed cover on the anchor bolts with nuts.



D) Male-female insert wiring.

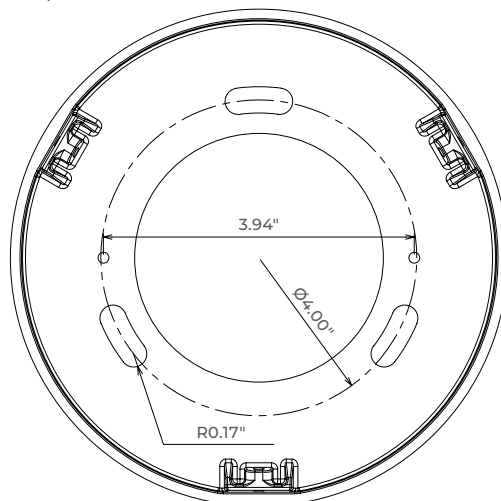


E) Countersunk head screws to fix the bollard base.



ANCHOR BOLT TEMPLATE

Drawing not to scale. Use the actual mounting plate as your template.



SAVE THESE INSTRUCTIONS

