



IMPORTANT SAFETY PRECAUTIONS

Before you begin, read these instructions completely and carefully.

- Be certain electrical power is OFF before and during installation, maintenance and removal.
- Luminaire wiring must be properly grounded in accordance with the NEC and any applicable local code requirements.
- Use only UL or IEC approved wire for input/output connections.
- Verify that supply voltage matches voltage on luminaire label. Installation to any other connection may void the warranty.
- Wear gloves during installation to prevent injury and do not expose wiring to metal or sharp edges.
- Do not install in areas subject to combustible vapors or gases. Verify luminaire location ratings are suitable for installation environment (refer to specification sheet as needed).
- Do not restrict luminaire's ventilation by covering with material that will cause luminaire to overheat and potentially shorten the life span.
- Ensure LED luminaire has the correct polarity before installation.

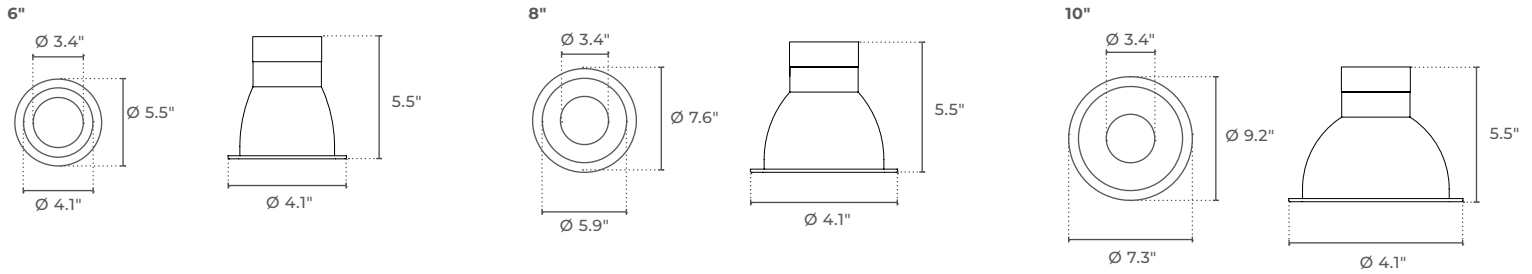


WARNING: To reduce the risk of personal injury or property damage from fire, electrical shock, falling parts, abrasions, burns and all other hazards, read all provided warnings and follow installation instructions.

This product should be installed, inspected and maintained by a qualified and licensed electrician. Installation of luminaire must be in accordance with NEC and local code requirements.

SAVE THESE INSTRUCTIONS

DIMENSIONS



Ceiling Opening: 6"-6.7"

Ceiling Opening: 7.7"-8.4"

Ceiling Opening: 10"-10.7"

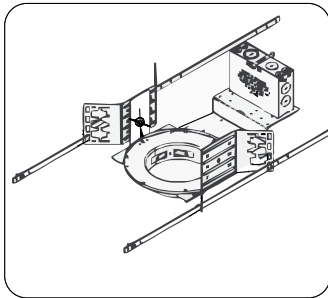
INSTALLATION INSTRUCTIONS

Note: Recessed kit is voltage specific. Verify proper voltage before installation.

For new construction applications, Begin on Step A.

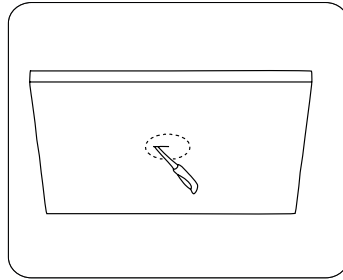
For remodel applications, begin on Step C.

A) Install the housing frame kit in the ceiling. Adjust horizontal position by sliding housing along bar hangers.



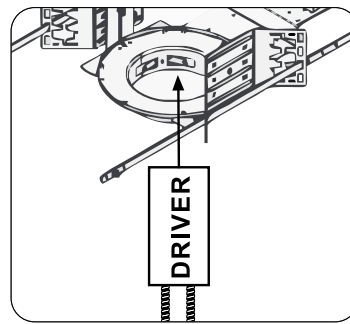
B) Open a hole according to the mounting frame diameters as following:

- 4 inch fits 4" min. to 4.7" max.
- 6 inch fits 6" min. to 6.7" max.
- 8 inch fits 7.7" min. to 8.4" max.
- 10inch fits 10" min. to 10.7" max.

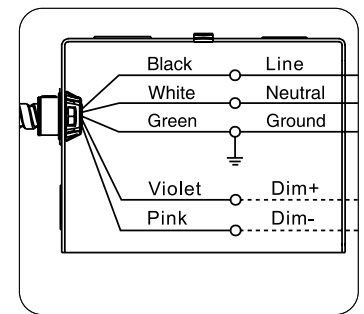


C) Install the Driver Box into the mounting frame diameters as following:

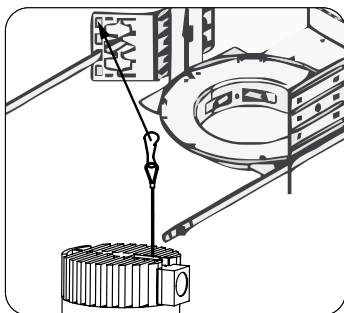
(For remodel application, remove J-box supply wires and existing driver/ballast)



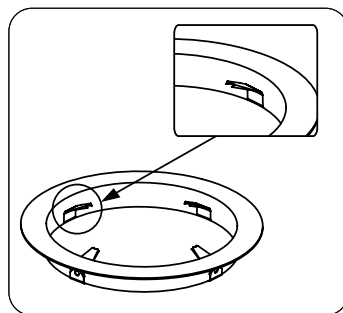
D) Make electrical connections.



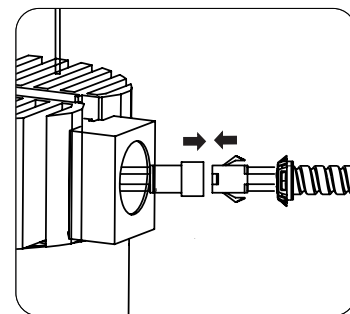
E) Close the J-box. Secure the driver box in the ceiling with screws. Install the safety hook to the bracket hole..



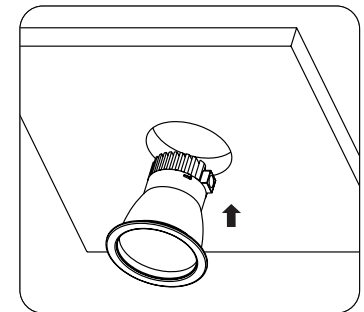
F) 4 clips are needed to secure the reflector and hold the fixture in the ceiling.



G) Plug the black connector of LED engine to the black connector on the end of the flex conduit on the driver box. Then insert it into the hole of LED engine.



H) Install the LED down light into the ceiling.



I) Installation is complete. 

Note: Ensure the mounting frame can hold the weight of LED downlight. After modification completed, attach the Lamping replacement marking label and cautionary label which provided with the retrofit kit package to the light fixture. The labels shall be visible during relamping, and after installation.

SAVE THESE INSTRUCTIONS