



IMPORTANT SAFETY PRECAUTIONS

Before you begin, read these instructions completely and carefully.

- Be certain electrical power is OFF before and during installation, maintenance and removal.
- Fan wiring must be properly grounded in accordance with the NEC and any applicable local code requirements.
- Use only UL or IEC approved wire for input/output connections.
- Verify that supply voltage matches voltage on fan label. Installation to any other connection may void the warranty.
- Wear gloves during installation to prevent injury and do not expose wiring to metal or sharp edges.



WARNING: To reduce the risk of fire, electrical shock, or personal injury, mount this fan to an outlet box marked "Acceptable for Fan Support of 22.7kg (50lbs)" or less and use Mounting Screws provided with the outlet box. CAUTION: Install the primary mounting means and use only the hardware provided with the fan.

To reduce the risk of personal injury, do not bend the blade brackets when installing the brackets, balancing the blades or clearing the fan. Be careful not to insert foreign objects in between rotating fan blades.

To reduce the risk of fire or electrical shock, do not use this fan with any solid-state speed control device.



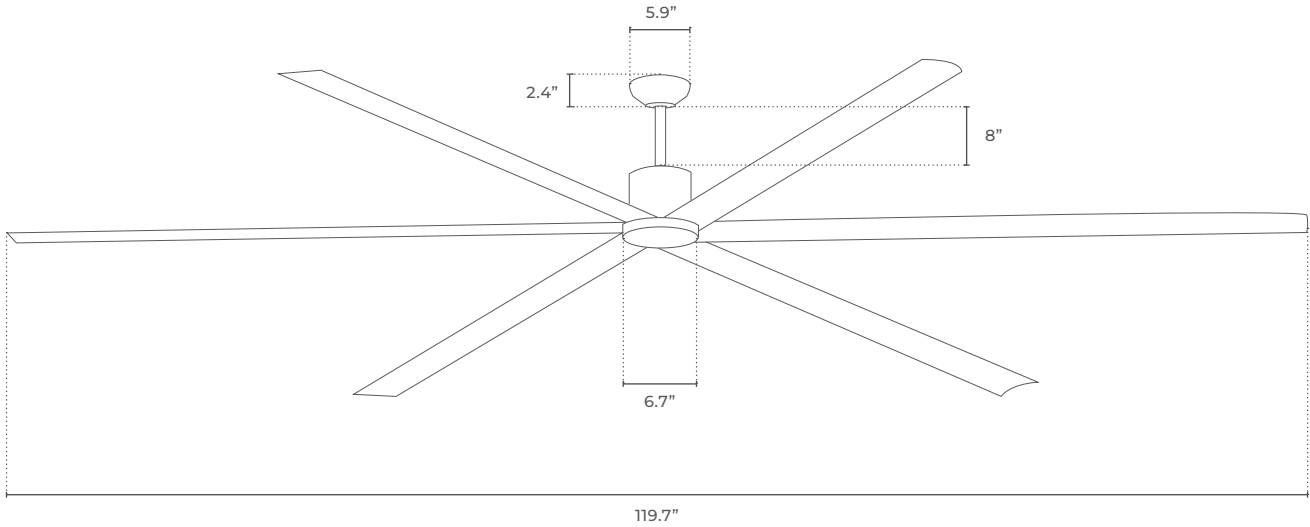
The important safeguards and instructions appearing in this manual are not meant to cover all possible conditions and situations that may occur. It must be understood that common sense, caution and careful attention to detail are factors which cannot be built into this product. These factors must be supplied by the person or persons installing, caring for, and operating the unit.

This product should be installed, inspected and maintained by a qualified and licensed electrician. Installation of luminaire must be in accordance with NEC and local code requirements.

SAVE THESE INSTRUCTIONS

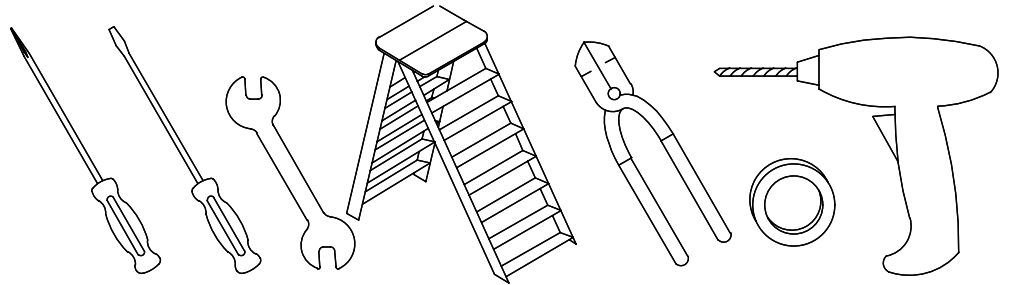


DIMENSIONS



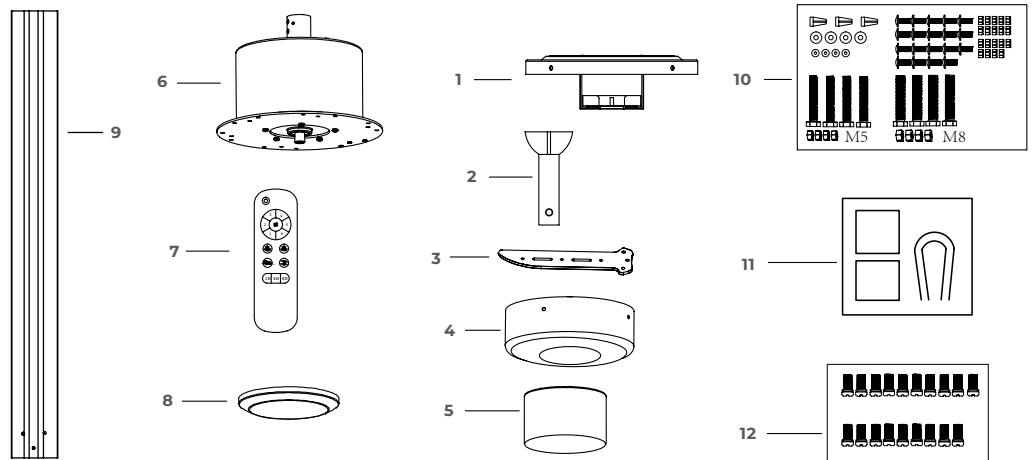
TOOLS REQUIRED

- Phillips screwdriver
- Flat head screwdriver
- Adjustable pliers or wrench
- Step ladder
- Wire cutters
- Electrical tape
- Impact drill



PACKAGE PARTS

No.	NAME	QUANTITY
1	Hanger Bracket	1
2	Downrod	1
3	Blade Holder	6
4	Canopy	1
5	Decorative Cover	1
6	Motor Body	1
7	Remote Control	1
8	Bottom Cover	1
9	Blade	6
10	Fasteners Package	1
11	Balance Package	1
12	Blade Screws	19



SAVE THESE INSTRUCTIONS



INSTALL THE HANGER

A) Secure the hanger bracket to the steel bracket on ceiling with M5 or M8 mounting screws and nuts. (See Figure 1)

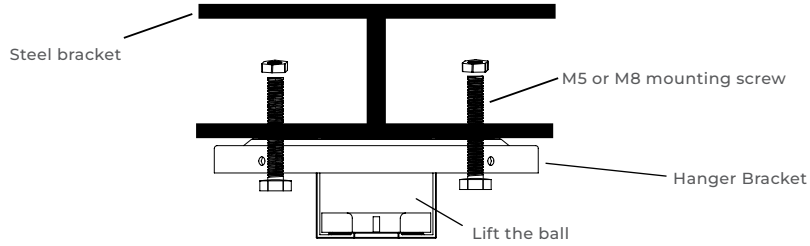


FIGURE 1

INSTALLATION OF DOWNROD AND MOTOR BODY

A) First remove the safety pins on the connection head, and then remove the two fixed downrod pipe screws located in the connection head on top of the motor body. (See Figure 2);

B) Orient and insert the downrod pipe in the right direction through the canopy and decorative cover and then thread the power wires through the downrod pipe;

C) Insert the downrod pipe into the connection head and install the safety pins, then lock the fixed downrod pipe screws firmly and cover the connection head with the decorative cover.

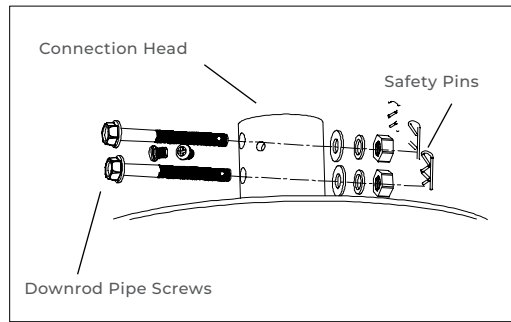


FIGURE 2

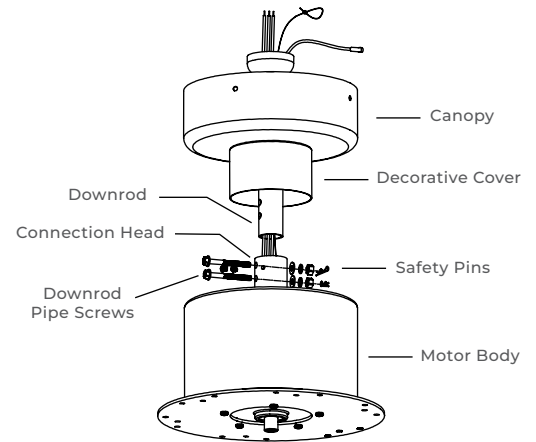


FIGURE 3

HANGING THE CEILING FAN

A) Place the drop ball in the hanger bracket and turn the pipe so that the groove on the drop ball engages the slot on the hanger bracket. The drop ball groove must engage the hanger bracket slot. (See Figure 4 and 5)

B) Replacing the downrod pipe (if applicable): first remove 2 screws, then remove the horizontal pin, then replace the standard downrod with the desired downrod pipe, then reinsert the horizontal pin, and lock the 2 screws. (See Figure 6)

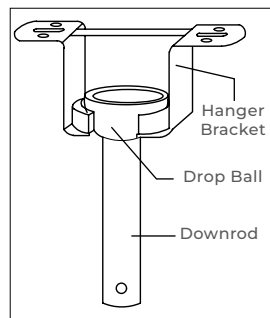


FIGURE 4

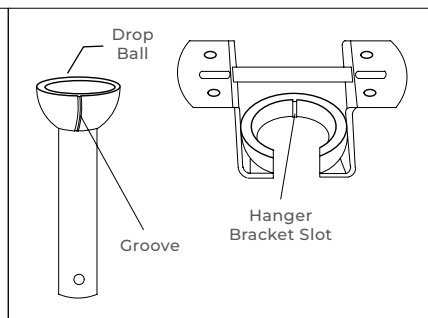


FIGURE 5

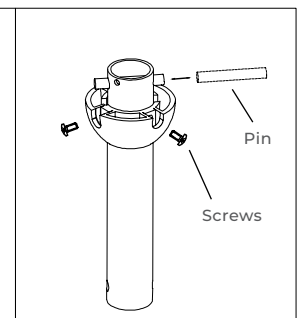


FIGURE 6

SAVE THESE INSTRUCTIONS



HANGING THE CEILING FAN (CONTINUED)

C) Put the end of the steel cable through the holes of the cable grip lock and form a small loop of suitable size. Then tighten the cable grip lock screws to lock the cable. Use a screw with a metal washer through the cable loop and secure it to the steel bracket on ceiling. (See Figure 7)

D) After ensuring the correct wiring (See Figure 12), insert the receiver into the hanger bracket as shown in Figure 8 and 9, install the canopy by covering the hanger bracket (Figure 10) and securing it with screws (Figure 11).

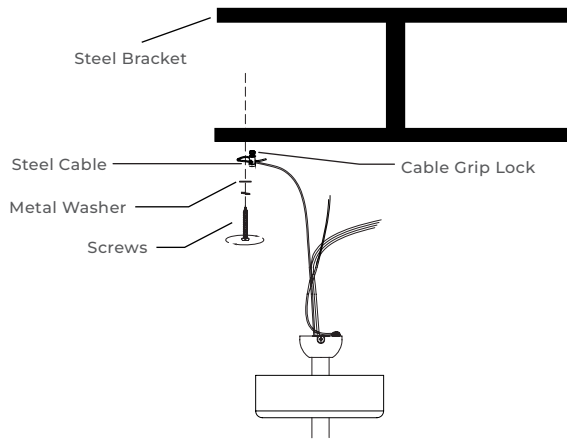


FIGURE 7

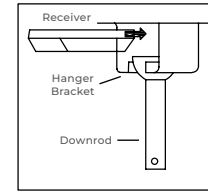


FIGURE 8

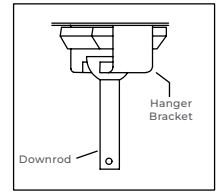


FIGURE 9

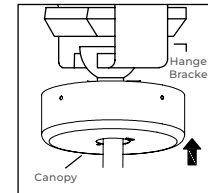


FIGURE 10

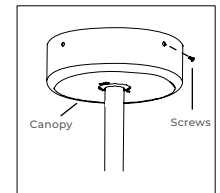


FIGURE 11

WIRING DIAGRAM

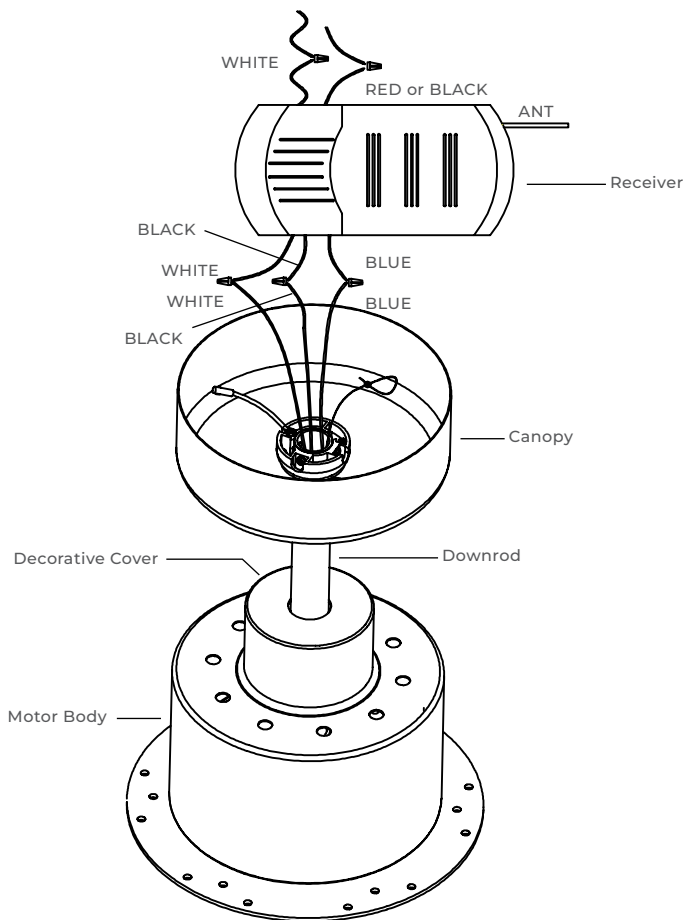


FIGURE 12

INSTALL THE FAN BLADE AND BLADE HOLDER

A) Attach each fan blade to a blade arm with three blade screws and three nuts. (See Figure 13)

B) Attach each blade to the motor body using mounting screws. (See Figure 14)

All screws and nuts for assembling blades and attaching to motor body must be tightened with wrench.

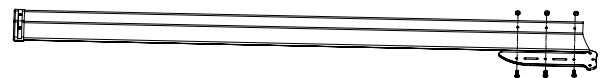


FIGURE 13

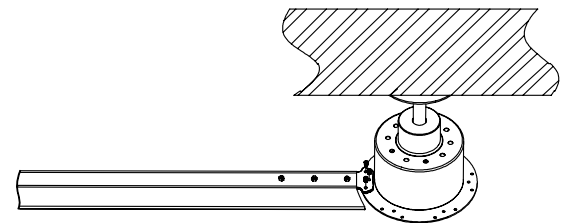


FIGURE 14

INSTALL BOTTOM COVER

A) Tighten the bottom cover in a clockwise direction.

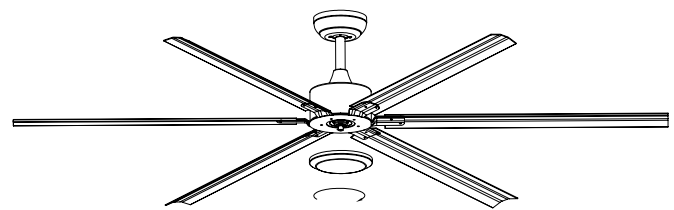


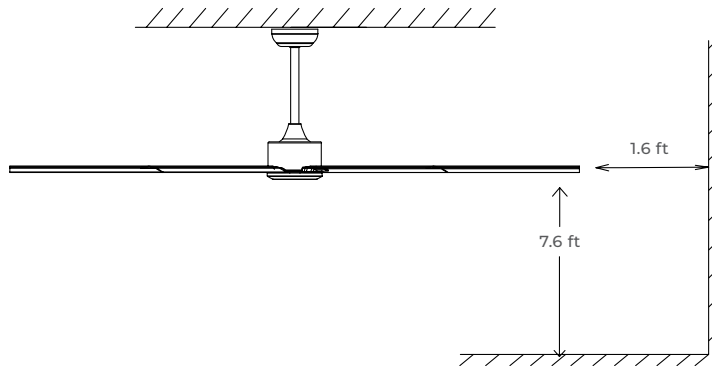
FIGURE 15

SAVE THESE INSTRUCTIONS



INSTALLATION HEIGHT

Fan blades to the ground shall not be less than 7.6 feet.



BALANCE ADJUSTMENT OF THE FAN

If the fan is shaking up and down after installation, please check the screws on the blades and downrod to ensure they are secure and tight. If not, tighten with screw driver or wrench. If it still shakes, please use the balancing kit and check the instruction of balancing kit inside the carton.

TIPS: MAINTENANCE OF CEILING FANS

- Check regularly whether the hanger, fan blade, and other parts are loose, if not, please tighten any loose fasteners to ensure it runs safely.
- Clean regularly. Only use a soft brush or a lint-free cloth to clean. Do not use a damp cloth or other destructive cleaner.
- Don't add lubricating oil or lubricant to any part of this fan.

SAVE THESE INSTRUCTIONS

5

