



IMPORTANT SAFETY PRECAUTIONS

Before you begin, read these instructions completely and carefully.

- Be certain electrical power is OFF before and during installation, maintenance and removal.
- Luminaire wiring must be properly grounded in accordance with the NEC and any applicable local code requirements.
- Use only UL or IEC approved wire for input/output connections.
- Verify that supply voltage matches voltage on luminaire label. Installation to any other connection may void the warranty.
- Wear gloves during installation to prevent injury and do not expose wiring to metal or sharp edges.
- Do not install in areas subject to combustible vapors or gases. Verify luminaire location ratings are suitable for installation environment (refer to specification sheet as needed).
- Do not restrict luminaire's ventilation by covering with material that will cause luminaire to overheat and potentially shorten the life span.
- Ensure LED luminaire has the correct polarity before installation.



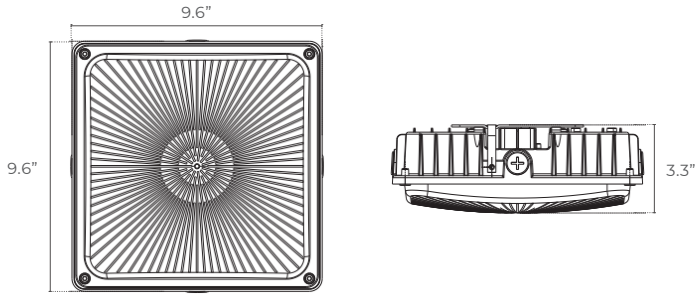
WARNING: To reduce the risk of personal injury or property damage from fire, electrical shock, falling parts, abrasions, burns and all other hazards, read all provided warnings and follow installation instructions.

This product should be installed, inspected and maintained by a qualified and licensed electrician. Installation of luminaire must be in accordance with NEC and local code requirements.

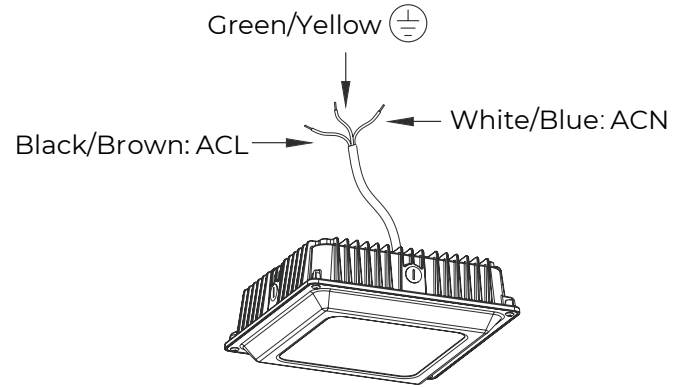
SAVE THESE INSTRUCTIONS

1

DIMENSIONS

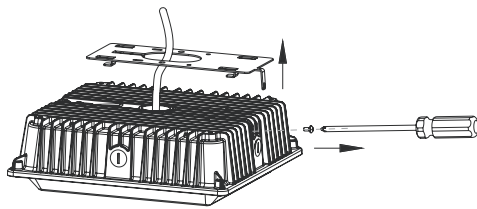


ELECTRICAL CONNECTIONS

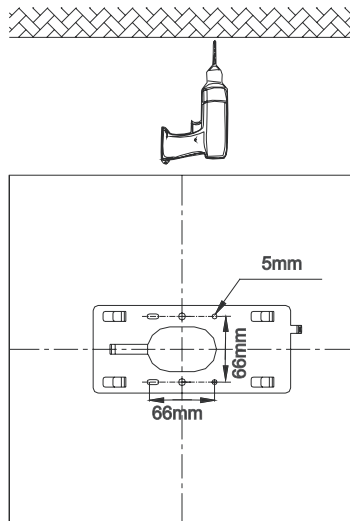


INSTALLATION INSTRUCTIONS (METHOD I)

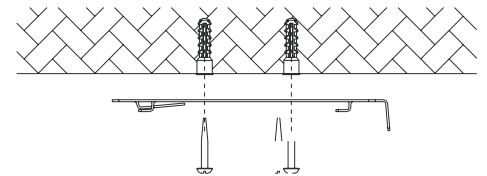
A) Remove the mounting plate from the back of the luminaire.



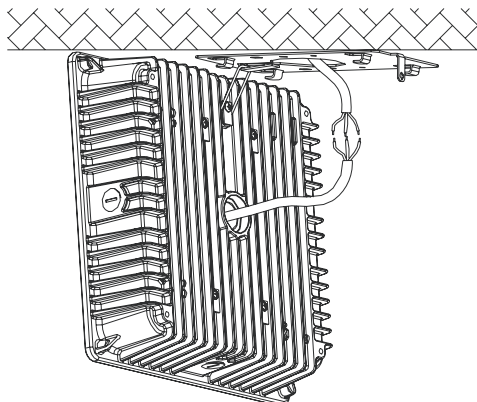
B) Using the mounting plate as a template, pre-drill mounting holes.



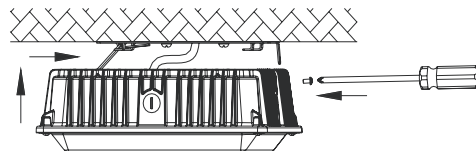
C) Install the anchors and secure mounting plate to the ceiling.



D) Using the pre-attached hook on the back of the luminaire, hang the fixture from the mounting plate, and make the electrical connections.



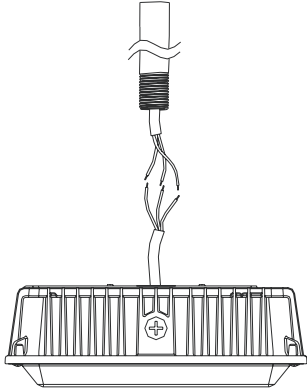
E) Secure the fixture to the mounting plate by fastening the screws on both sides of the luminaire.



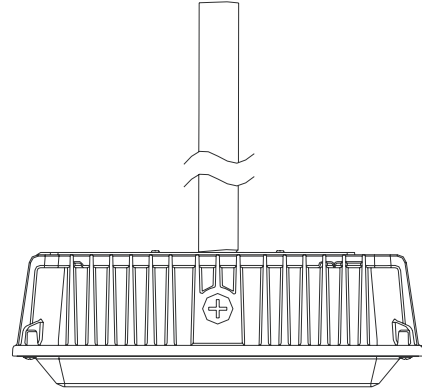
SAVE THESE INSTRUCTIONS

INSTALLATION INSTRUCTIONS (METHOD II)

A) Feed the wiring through the 3/4" NPT stem and make the electrical connection.



B) Fasten the luminaire to the 3/4" NPT stem.



SAVE THESE INSTRUCTIONS