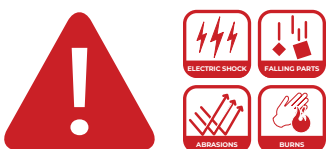




IMPORTANT SAFETY PRECAUTIONS

Before you begin, read these instructions completely and carefully.

- Be certain electrical power is OFF before and during installation, maintenance and removal.
- Luminaire wiring must be properly grounded in accordance with the NEC and any applicable local code requirements.
- Use only UL or IEC approved wire for input/output connections.
- Verify that supply voltage matches voltage on luminaire label. Installation to any other connection may void the warranty.
- Wear gloves during installation to prevent injury and do not expose wiring to metal or sharp edges.
- Do not install in areas subject to combustible vapors or gases. Verify luminaire location ratings are suitable for installation environment (refer to specification sheet as needed).
- Do not restrict luminaire's ventilation by covering with material that will cause luminaire to overheat and potentially shorten the life span.
- Ensure LED luminaire has the correct polarity before installation.
- Lynx Linear Lighting is not liable for damages resulting from improper or faulty installation or operation or unauthorized modifications to the luminaire.
- Electrostatic discharge can damage the LED tapelight.
- Do not touch or clean the LEDs.
- Not suitable for covering with thermally insulating material.



WARNING: To reduce the risk of personal injury or property damage from fire, electrical shock, falling parts, abrasions, burns and all other hazards, read all provided warnings and follow installation instructions.

This product should be installed, inspected and maintained by a qualified and licensed electrician. Installation of luminaire must be in accordance with NEC and local code requirements.

SAVE THESE INSTRUCTIONS

**D-60W, D-96W, D-300W CONSTANT VOLTAGE
LED DRIVER 5 IN 1 DIMMING FUNCTION**

REQUIRED TOOLS

Hammer



Screwdriver



Pliers



Screws

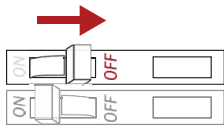


Twist-on Wire Connectors

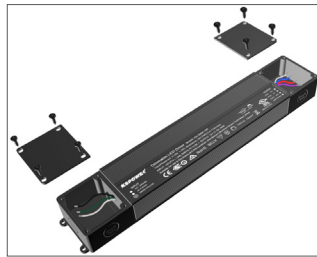


INSTALLATION INSTRUCTIONS

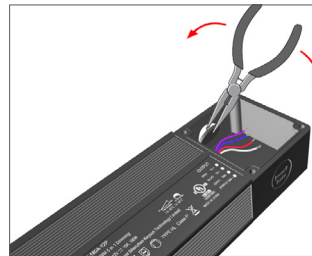
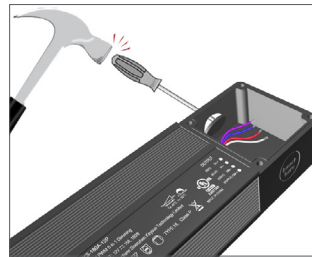
A) Turn power off at circuit breaker.



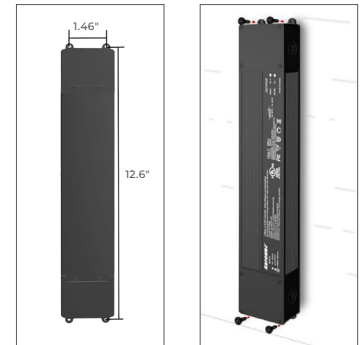
B) Remove screws and open the cover.



C) Punch out knockouts for conduit access.



D) Mount driver to surface.



ELECTRICAL CONNECTIONS

A) GND*: Attach to J-Box and to Primary Ground

B) Neutral: To Primary High Voltage Neutral

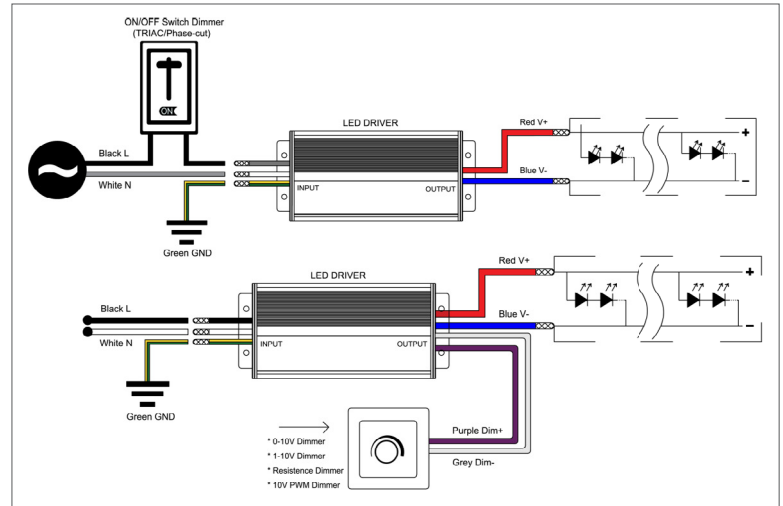
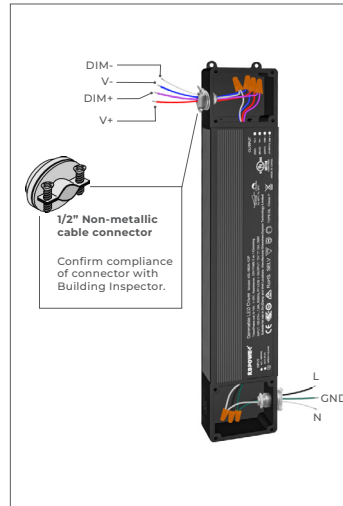
C) Line (Hot): To Primary High Voltage Line Hot

D) V+: To Low Voltage Load V+

E) V-: To Low Voltage Load V-

F) Dim+: To Dimmer Signal (+)

G) Dim-: To Dimmer Signal (-)



SAVE THESE INSTRUCTIONS