



IMPORTANT SAFETY PRECAUTIONS

Before you begin, read these instructions completely and carefully.

- Be certain electrical power is OFF before and during installation, maintenance and removal.
- Luminaire wiring must be properly grounded in accordance with the NEC and any applicable local code requirements.
- Use only UL or IEC approved wire for input/output connections.
- Verify that supply voltage matches voltage on luminaire label. Installation to any other connection may void the warranty.
- Wear gloves during installation to prevent injury and do not expose wiring to metal or sharp edges.
- Do not install in areas subject to combustible vapors or gases. Verify luminaire location ratings are suitable for installation environment (refer to specification sheet as needed).
- Do not restrict luminaire's ventilation by covering with material that will cause luminaire to overheat and potentially shorten the life span.
- Ensure LED luminaire has the correct polarity before installation.



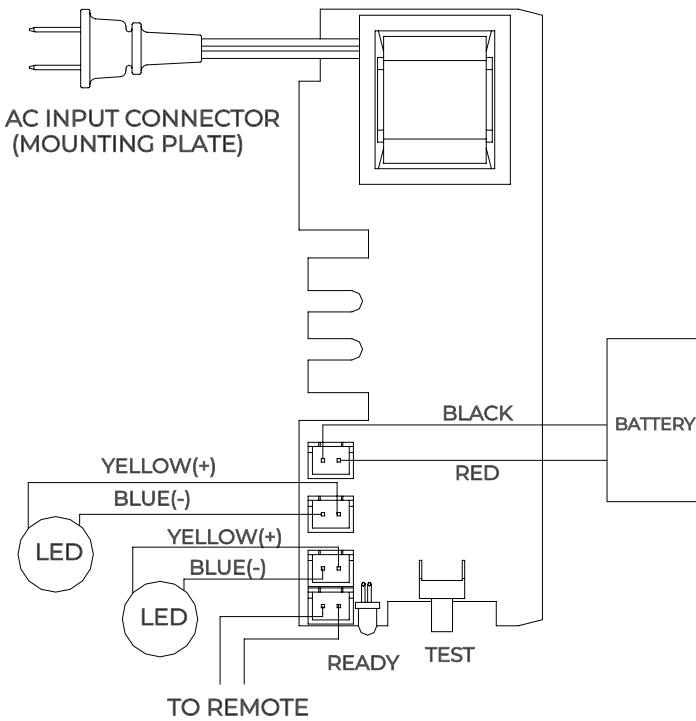
WARNING: To reduce the risk of personal injury or property damage from fire, electrical shock, falling parts, abrasions, burns and all other hazards, read all provided warnings and follow installation instructions.

This product should be installed, inspected and maintained by a qualified and licensed electrician. Installation of luminaire must be in accordance with NEC and local code requirements.

SAVE THESE INSTRUCTIONS

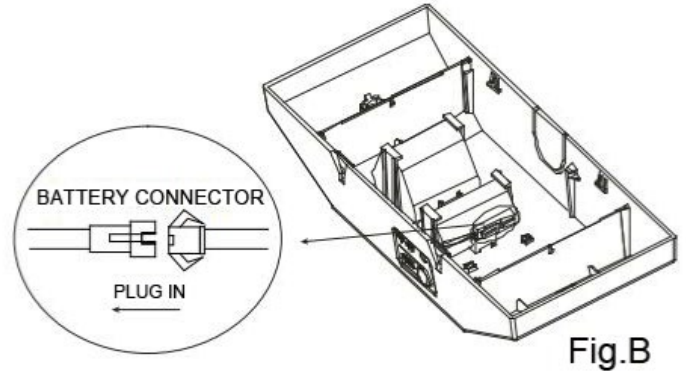


ELECTRICAL CONNECTIONS



INSTALLATION INSTRUCTIONS (CONDUIT)

- A) Secure back plate to wall surface. Route wires through hole in conduit flange and make conduit connection. For 120V, use black and white wires and for 277V, use red and white wires.
- B) Complete the battery connection (Figure B).



INSTALLATION INSTRUCTIONS (J-BOX MOUNT)

- A) Feed fixture leads through the back plate and connect to AC power supply (Fig A). For 120V use black and white wires and for 277V, use red and white wires.
- B) Attach back plate to J-Box and secure with screws.

- C) Complete the battery connection. (Figure B).

- D) Align clips and push housing directly onto the back plate (Figure C). Apply continuous AC power and press TEST button to check light.

Installation is complete. 

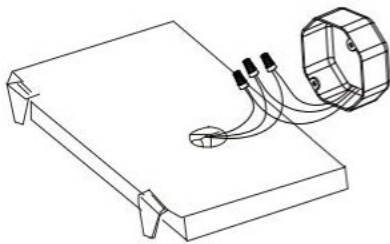


Fig.A(J-Box)

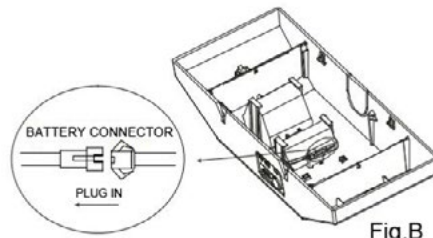


Fig.B



Fig.C

INSTRUCTIONS FOR LED EMERGENCY LIGHT FIXTURE

Align clips and push housing directly onto the back plate (Figure C). Apply continuous AC power and press TEST button to check light.

WARNING

Unused wires must be capped using enclosed wire nuts.

OPERATION

During an electrical power failure, the LED lamps will automatically come on for a minimum of 90 minutes.

To test, depress the TEST switch. The emergency LED lamps will illuminate. When the switch is released, the lamps will go off.

SAVE THESE INSTRUCTIONS

