



### IMPORTANT SAFETY PRECAUTIONS

**Before you begin, read these instructions completely and carefully.**

- Be certain electrical power is OFF before and during installation, maintenance and removal.
- Luminaire wiring must be properly grounded in accordance with the NEC and any applicable local code requirements.
- Use only UL or IEC approved wire for input/output connections.
- Verify that supply voltage matches voltage on luminaire label. Installation to any other connection may void the warranty.
- Wear gloves during installation to prevent injury and do not expose wiring to metal or sharp edges.
- Do not install in areas subject to combustible vapors or gases. Verify luminaire location ratings are suitable for installation environment (refer to specification sheet as needed).
- Do not restrict luminaire's ventilation by covering with material that will cause luminaire to overheat and potentially shorten the life span.
- Ensure LED luminaire has the correct polarity before installation.



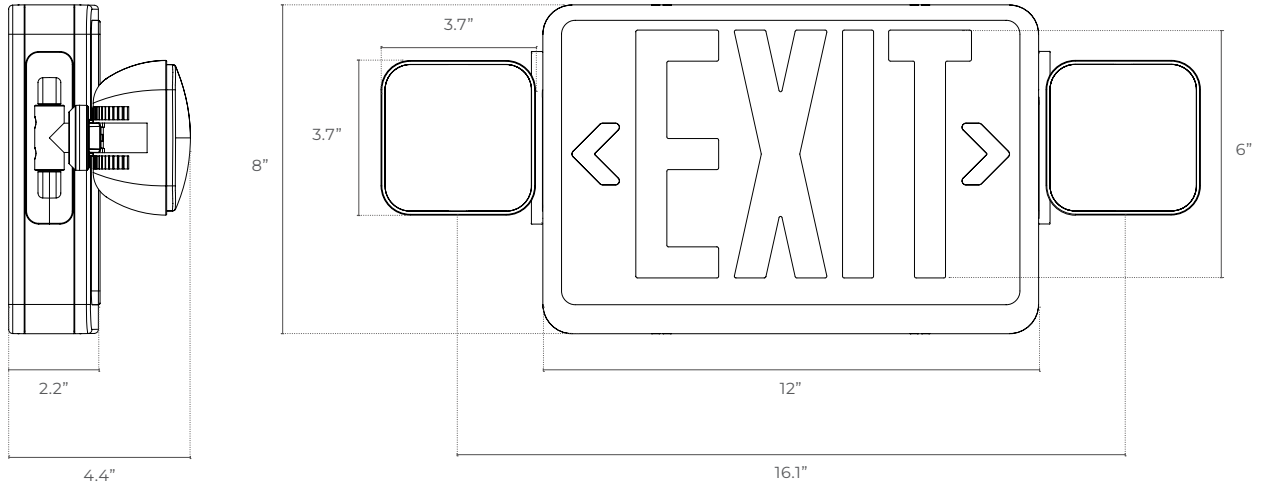
**WARNING:** To reduce the risk of personal injury or property damage from fire, electrical shock, falling parts, abrasions, burns and all other hazards, read all provided warnings and follow installation instructions.

This product should be installed, inspected and maintained by a qualified and licensed electrician. Installation of luminaire must be in accordance with NEC and local code requirements.

**SAVE THESE INSTRUCTIONS**

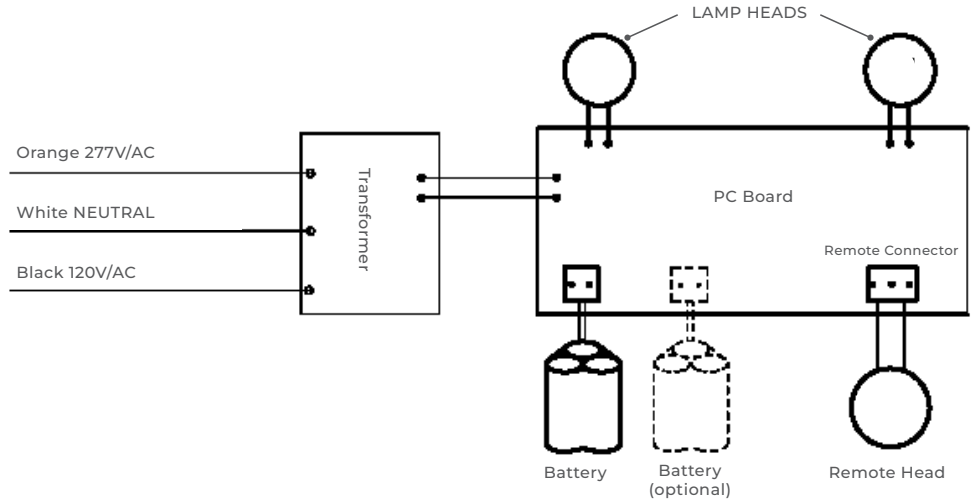


**DIMENSIONS**



**WIRING DIAGRAM**


Connect the white wire to neutral.  
 If using 120V, connect the black wire to the hot lead.  
 If using 277V, connect the orange wire to the hot lead.  
 Cap the unused lead.

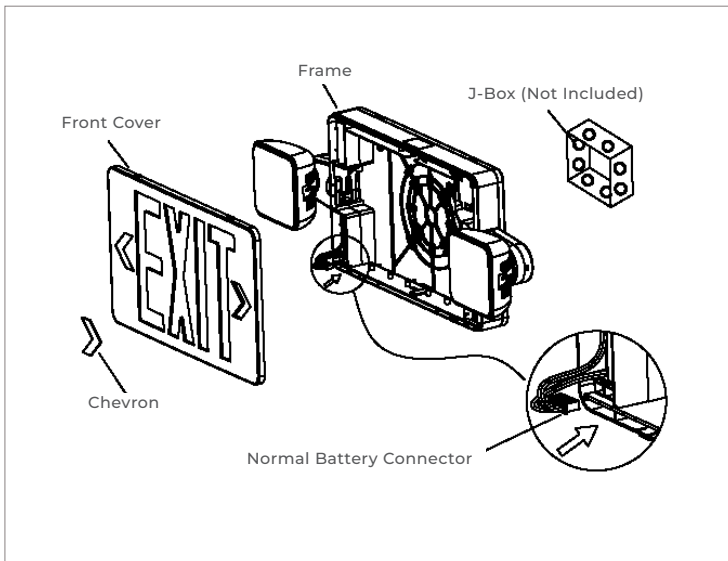


**SAVE THESE INSTRUCTIONS**




**INSTALLATION INSTRUCTIONS - WALL MOUNT**

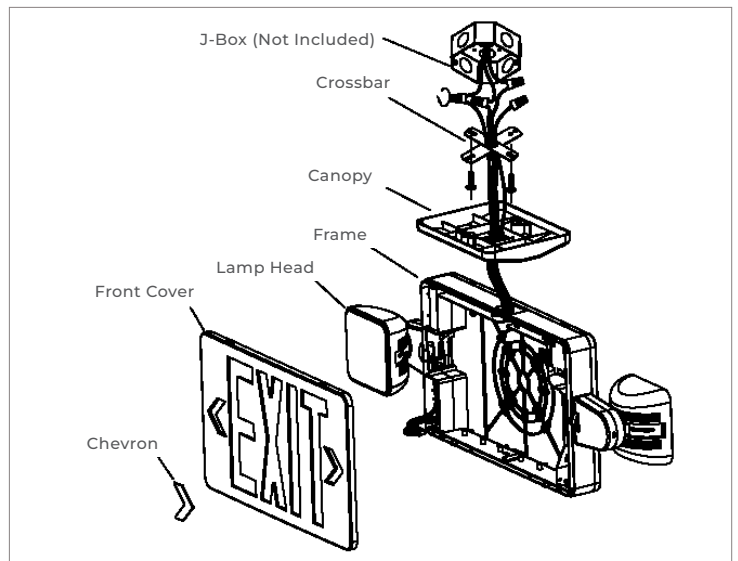
- A) Open front cover with flathead screwdriver (see Fig 1).
- B) Knock out center and appropriate mounting screw holes on the back plate.
- C) Remove side hole plug from housing, snap lamp heads on the unit and connect to PC board (see Fig 3).
- D) Route the AC supply wires through center hole inside of housing.
- E) Install the luminaire on the junction box.
- F) Make correct electrical connections inside the luminaire according to wiring diagram (see Wiring Diagram).
- G) Carefully push excess wire into junction box.
- H) Snap chevron to EXIT panel if required.
- I) Attach battery connector to PC board, restore front panel on unit, adjust direction of lamp heads as needed.
- J) Installation complete. 



WALL MOUNT DIAGRAM

**INSTALLATION INSTRUCTIONS - CEILING MOUNT**

- A) Attach crossbar to junction box, set the crossbar so that the short blade is touching the junction box.
- B) Open the front cover with flathead screwdriver (see Fig 1).
- C) If double face is desired, replace back plate with additional face plate provided.
- D) Remove the mounting hole cover on the top and side of the unit, assemble the canopy (see Fig 2).
- E) Snap lamp heads on the unit and connect to PC board (see Fig 3).
- F) Route the proper wires through the mounting hole of the housing.
- G) Make electrical connections inside the junction box as shown in wiring diagram (see Wiring Diagram).
- H) Fasten crossbar on junction box with screws provided, fasten canopy to cross bar and against the wall.
- I) Snap chevron to EXIT panel if required.
- J) Attach battery connector to PC board, restore front panel on unit, adjust direction of lamp heads as needed.
- K) Installation complete. 



CEILING MOUNT DIAGRAM

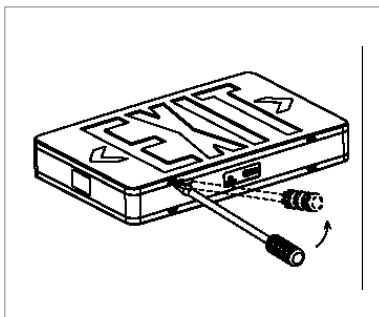


FIGURE 1

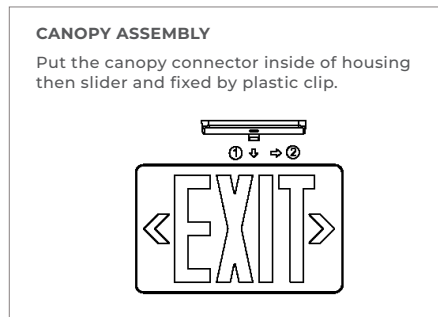


FIGURE 2

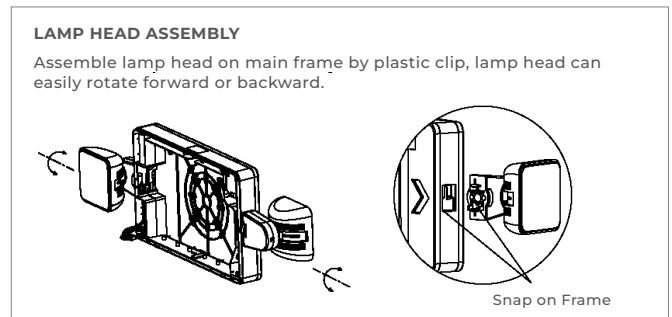


FIGURE 3

**SAVE THESE INSTRUCTIONS**



**CONNECTING REMOTE HEADS**

A) If fixture has remote capability option, max remote capability is 3.6VDC 1.5W max.

B) Connect remote heads extension wire to remote wire with wire nuts, yellow is positive (+) and purple is negative (-).

C) Installation complete. 

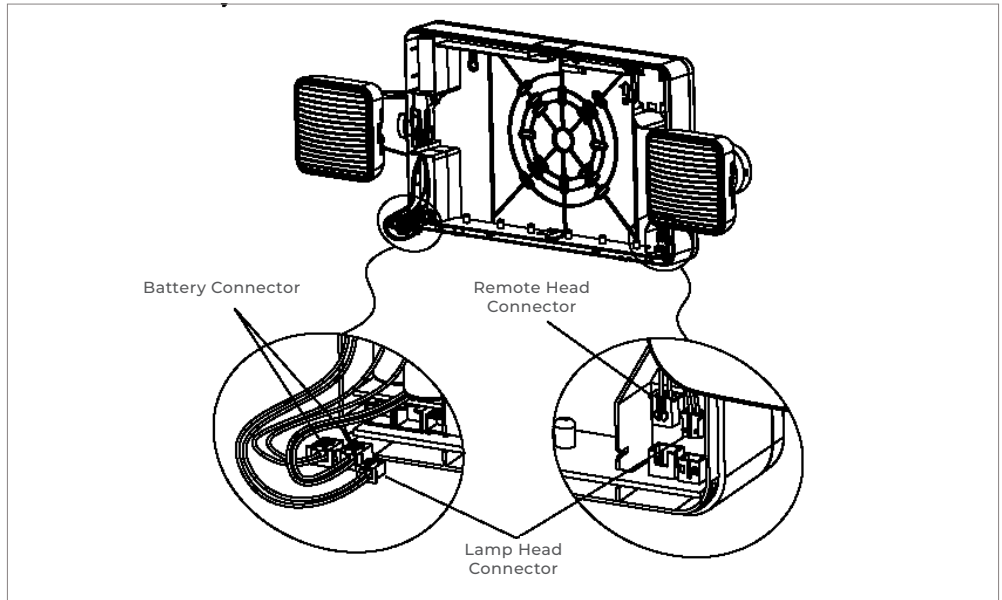


FIGURE 4

**OPERATION**

- 1) Apply AC power to the unit, the indicator shows red.
- 2) Push the test switch, the LED indicator turns off and the LED board stays on.
- 3) After releasing the test switch, LED indicator turns back to red.

**TROUBLESHOOTING GUIDE**

If LED board or LED indicator does not illuminate, check the following:

- 1) Check AC supply - verify that the unit has 24 hours AC supply.
- 2) Battery is not connected.
- 3) Battery voltage too low- Permit unit to charge for 24 hours the re-test.
- 4) If above troubleshooting hints do not solve your problem, contact factory for assistance.

**ROUTINE TESTING**

National Electric Code (NED) and NFPA life safety code regulations require that routine tests need to be performed as below:

Once every month, perform 30 seconds duration test, push in and hold the test switch to perform this test. Once every 12 months, perform full 90 minutes test, disconnect AC power supply and transfer to emergency mode, the unit should stay on 90 minutes minimum.

**SAVE THESE INSTRUCTIONS**

