



IMPORTANT SAFETY PRECAUTIONS

Before you begin, read these instructions completely and carefully.

- Be certain electrical power is OFF before and during installation, maintenance and removal.
- Luminaire wiring must be properly grounded in accordance with the NEC and any applicable local code requirements.
- Use only UL or IEC approved wire for input/output connections.
- Verify that supply voltage matches voltage on luminaire label. Installation to any other connection may void the warranty.
- Wear gloves during installation to prevent injury and do not expose wiring to metal or sharp edges.
- Do not install in areas subject to combustible vapors or gases. Verify luminaire location ratings are suitable for installation environment (refer to specification sheet as needed).
- Do not restrict luminaire's ventilation by covering with material that will cause luminaire to overheat and potentially shorten the life span.
- Ensure LED luminaire has the correct polarity before installation.

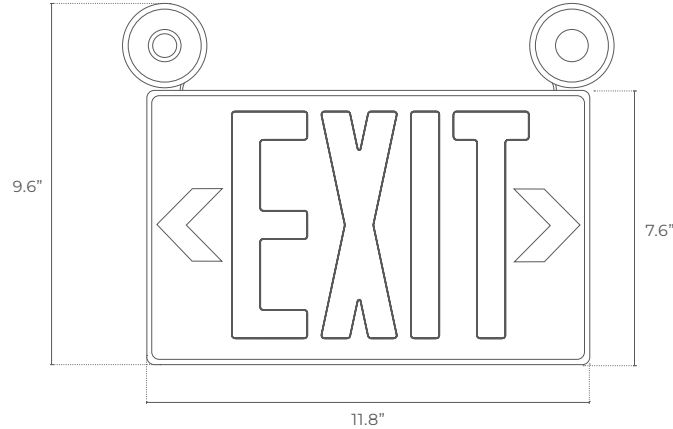


WARNING: To reduce the risk of personal injury or property damage from fire, electrical shock, falling parts, abrasions, burns and all other hazards, read all provided warnings and follow installation instructions.

This product should be installed, inspected and maintained by a qualified and licensed electrician. Installation of luminaire must be in accordance with NEC and local code requirements.

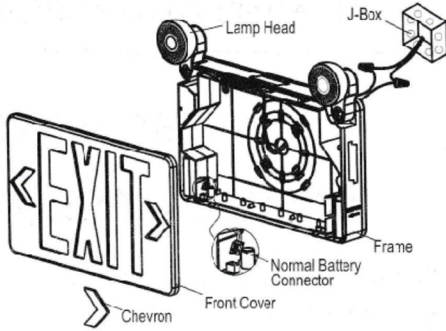
SAVE THESE INSTRUCTIONS

DIMENSIONS

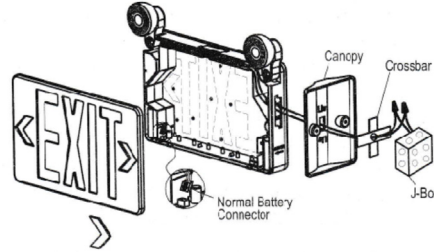


MOUNTING TYPE

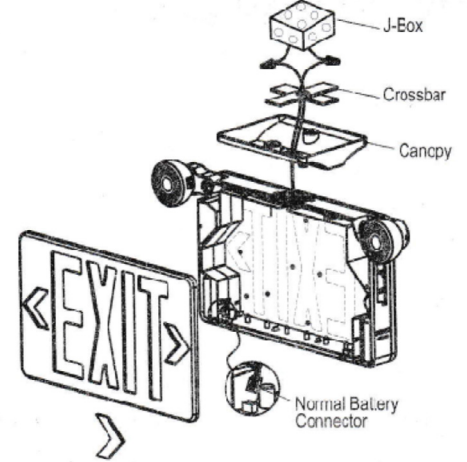
Wall Mount



Side Mount



Ceiling Mount



ELECTRICAL CONNECTIONS

AC Wiring

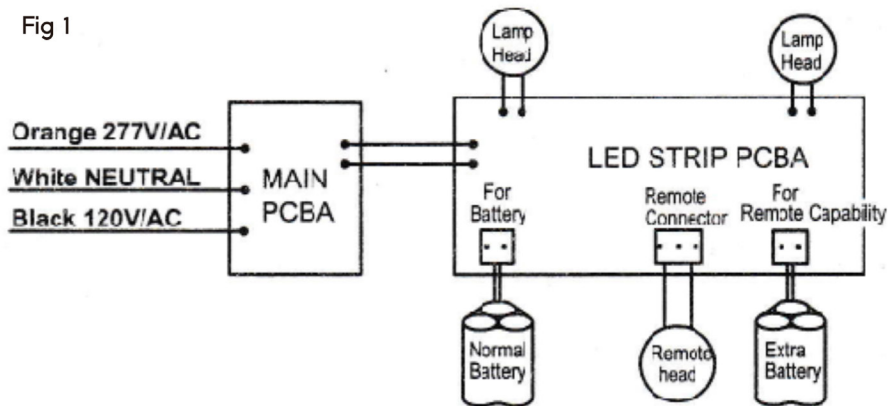
Connect wires in junction box to supply wires using the wire nuts provided. Connect the white wire to neutral.

If using 120V, connect the black wire to the hot lead.

If using 277V. Connect the orange wire to the hot lead.

Cap the unused lead.

Fig 1



SAVE THESE INSTRUCTIONS

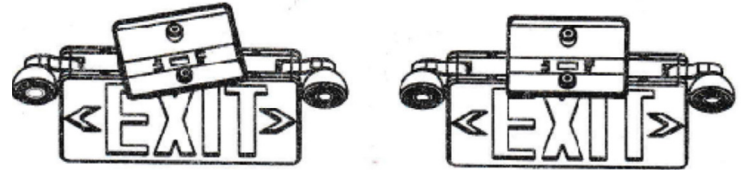
WALL MOUNT INSTALLATION INSTRUCTIONS

- A) Open the front cover and assemble LED heads on the frame.
- B) Remove center knock out and appropriate mounting screw holes on the back plate.
- C) Feed the proper wire through the center knock out of the housing.
- D) Make electrical connections inside the J-box as shown in Fig 1.
- E) Store excess wire in J-box, use screws to fix unit to J-box.
- F) Knock out chevrons as required.
- G) Attach battery connector to PC board. Reattach front panel to the unit. Adjust the position of LED heads as desired.

CANOPY INSTALLATION INSTRUCTIONS

- A) Attach crossbar to J-box. Place the crossbar so that the longer arm is touching the J-box.
- B) Open the front cover and assemble LED heads on the frame.
- C) If double face is desired, replace back plate with additional face plate provided.
- D) Remove the mounting hole cover on the top or side of the unit, and assemble the canopy
 Insert canopy into housing at 20 degree angle and twist to lock in place.
 Caution: Trying to remove canopy after it is locked in place may cause damage.
- E) Feed the proper wires through the mounting hole of the housing.
- F) Make electrical connections inside the J-box as shown in Fig 1.
- G) Store excess wire in J-box, use screws to fix canopy to crossbar so that the canopy is securely fastened and tight against the wall.
- H) Knock out chevrons as required.
- I) Attach battery connector to PC board. Reattach front panel to the unit, and adjust the position of lamp heads as need.

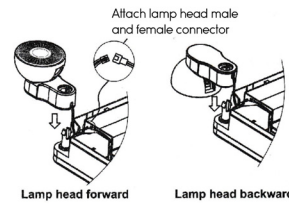
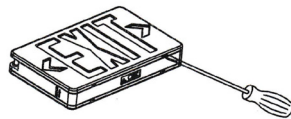
CANOPY ASSEMBLY



LAMP HEADS INSTALLATION INSTRUCTIONS

- A) Open front cover with a flat screw-driver.
- B) Snap lamp head on the 2 corners of the frame. If the unit is ceiling mount or side mount, lamp head can assemble backward.
- C) Attach 2 pcs lamp heads male and female connector together.

Fig 2



SAVE THESE INSTRUCTIONS