

IMPORTANT SAFETY PRECAUTIONS

Before you begin, read these instructions completely and carefully.

- Be certain electrical power is OFF before and during installation, maintenance and removal.
- Luminaire wiring must be properly grounded in accordance with the NEC and any applicable local code requirements.
- Use only UL or IEC approved wire for input/output connections.
- Verify that supply voltage matches voltage on luminaire label. Installation to any other connection may void the warranty.
- Wear gloves during installation to prevent injury and do not expose wiring to metal or sharp edges.
- Do not install in areas subject to combustible vapors or gases. Verify luminaire location ratings are suitable for installation environment (refer to specification sheet as needed).
- Do not restrict luminaire's ventilation by covering with material that will cause luminaire to overheat and potentially shorten the life span.
- Ensure LED luminaire has the correct polarity before installation.
- Lynx Linear Lighting is not liable for damages resulting from improper or faulty installation or operation or unauthorized modifications to the luminaire.
- Electrostatic discharge can damage the LED tapelight.
- Do not touch or clean the LEDs.
- Not suitable for covering with thermally insulating material.



WARNING: To reduce the risk of personal injury or property damage from fire, electrical shock, falling parts, abrasions, burns and all other hazards, read all provided warnings and follow installation instructions.

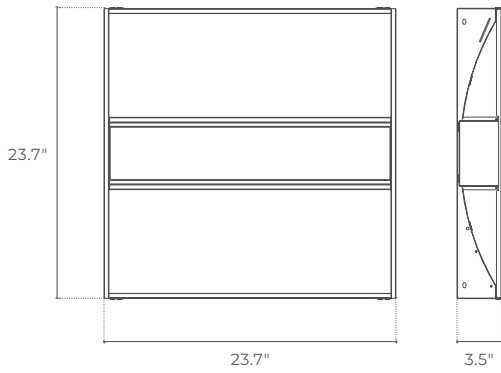
This product should be installed, inspected and maintained by a qualified and licensed electrician. Installation of luminaire must be in accordance with NEC and local code requirements.

SAVE THESE INSTRUCTIONS

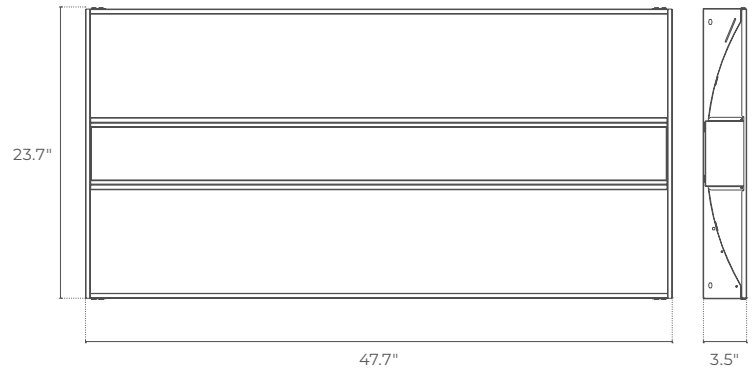


DIMENSIONS

2x2



2x4



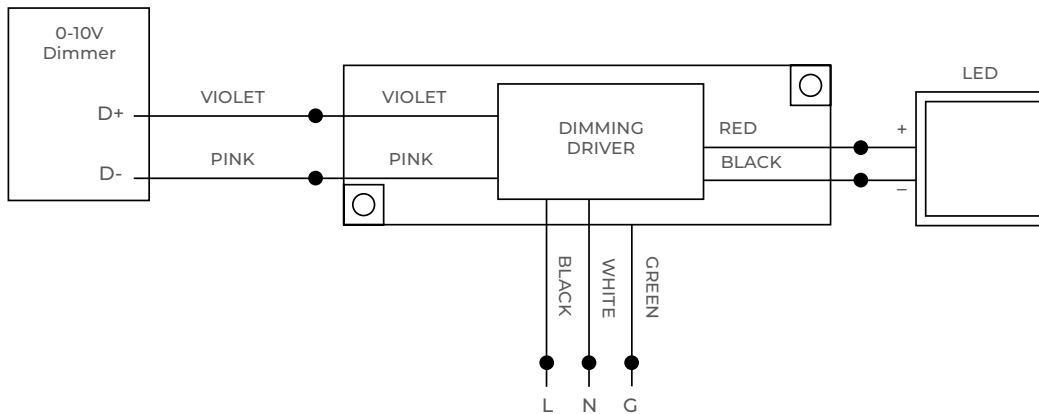
NOTE

Please read this entire manual to fully understand and safely use this product.
Specifications are subject to change without notice.
Please visit our website the most recent user guide versions.

INCLUDED IN THIS BOX

1. LED Luminaire
2. Installation instruction


ELECTRICAL CONNECTIONS



SAVE THESE INSTRUCTIONS



INSTALLATION INSTRUCTIONS

- A) Bend j-hook 90°, making it vertical to the rear cover of fixture. Repeat on every corner. (Figure 1)
- B) Turn off power, and remove the ceiling panel.
- C) Place the troffer into the T-bar, ensuring fixture is securely attached. (Figure 2).
- D) Open the driver enclosure.
- E) Make wiring connections (Figure 3)
 - 1. **Connect AC Wires**
Input L connects to the black wire of the luminaire. N connects to the white wire. Ground connects to the green wire.
 - 2. **Connect Dimmer**
Compatible with 0-10V dimmer
Connect the violet wires from dimmer to driver. Connect the pink wires from dimmer to driver.
 - 3. Connect the wire with terminal caps as shown in the wiring diagram on page 2.
- F) Close the driver box and use screw to secure. (Figure 4).
- G) Installation is complete. 

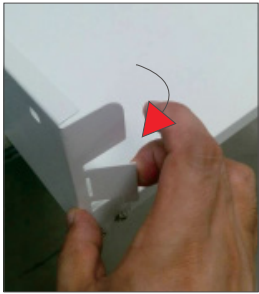


FIGURE 1



FIGURE 2

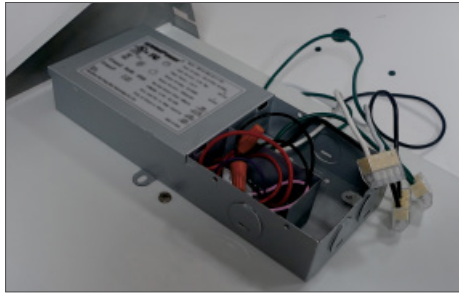


FIGURE 3

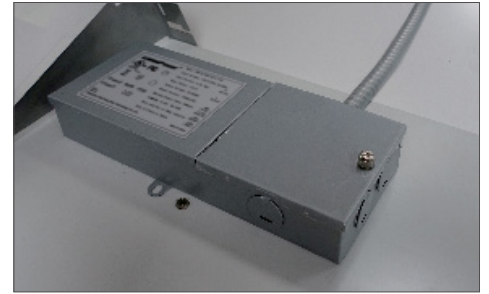


FIGURE 4

SAVE THESE INSTRUCTIONS

