

IMPORTANT SAFETY PRECAUTIONS

Before you begin, read these instructions completely and carefully.

- Be certain electrical power is OFF before and during installation, maintenance and removal.
- Luminaire wiring must be properly grounded in accordance with the NEC and any applicable local code requirements.
- Use only UL or IEC approved wire for input/output connections.
- Verify that supply voltage matches voltage on luminaire label. Installation to any other connection may void the warranty.
- Wear gloves during installation to prevent injury and do not expose wiring to metal or sharp edges.
- Do not install in areas subject to combustible vapors or gases. Verify luminaire location ratings are suitable for installation environment (refer to specification sheet as needed).
- Do not restrict luminaire's ventilation by covering with material that will cause luminaire to overheat and potentially shorten the life span.
- Ensure LED luminaire has the correct polarity before installation.



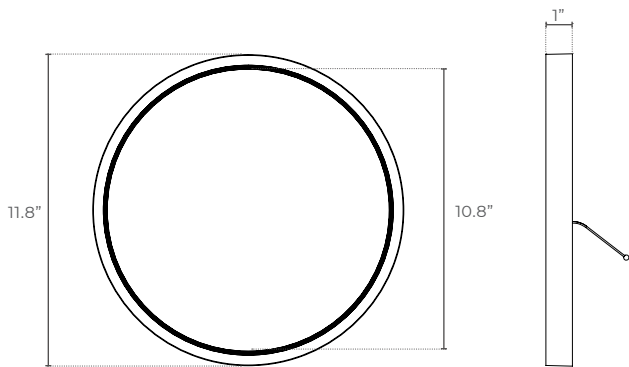
WARNING: To reduce the risk of personal injury or property damage from fire, electrical shock, falling parts, abrasions, burns and all other hazards, read all provided warnings and follow installation instructions.

This product should be installed, inspected and maintained by a qualified and licensed electrician. Installation of luminaire must be in accordance with NEC and local code requirements.

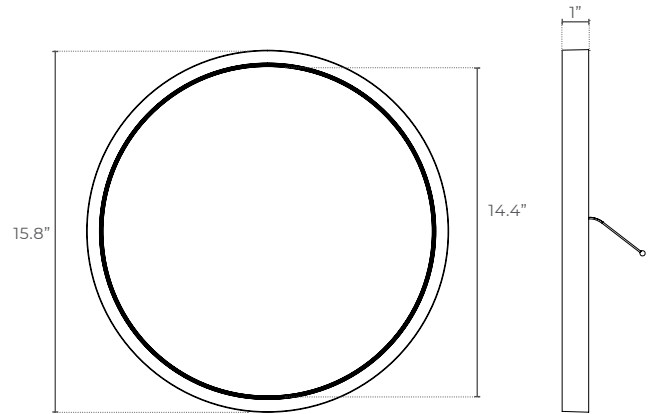
SAVE THESE INSTRUCTIONS

DIRECT LIGHT ONLY DIMENSIONS

24W

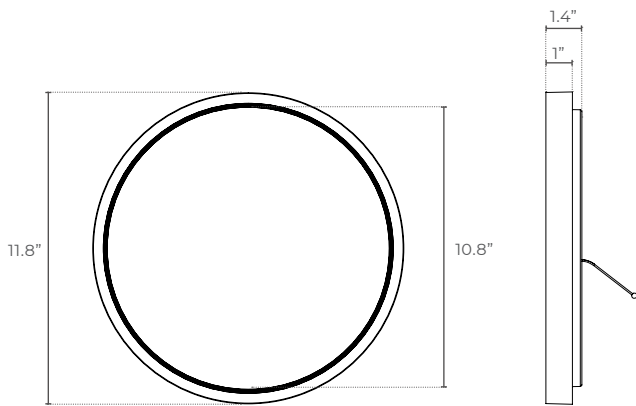


32W

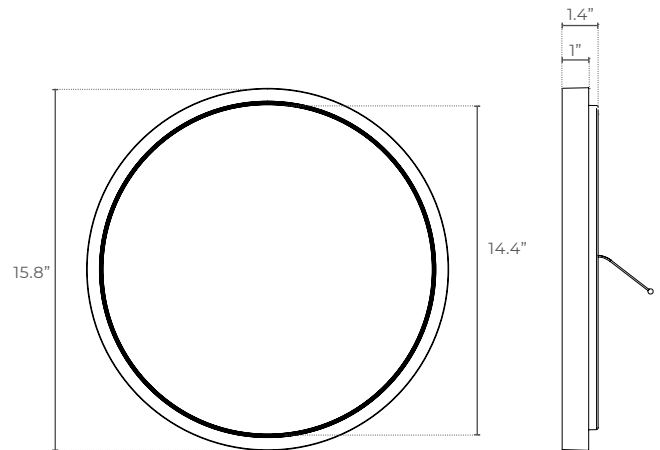


DIRECT & INDIRECT LIGHT DIMENSIONS

24W

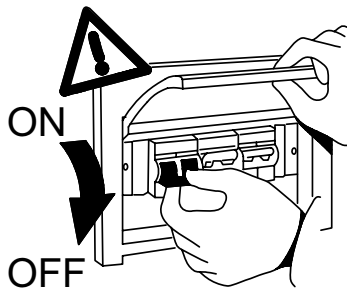


32W








BEFORE INSTALLATION

A) Carefully remove the luminaire from the box and check that all parts are included. Do not attempt to assemble the product if any part is missing or damaged.



HARDWARE

-  Luminaire
-  Wired Nuts (2x)
-  Tapered Screw (2x)
-  Plastic Anchors (2x)
-  Flat Screw (2x)

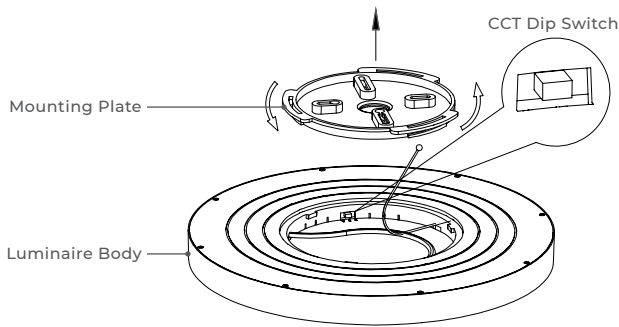
SAVE THESE INSTRUCTIONS

INSTALLATION INSTRUCTIONS

B) Rotate the mounting plate counter clockwise to detach it from the luminaire body.

If you purchased the Field Selectable 5CCT version, use the CCT dip switch to select the desired CCT from the options below:

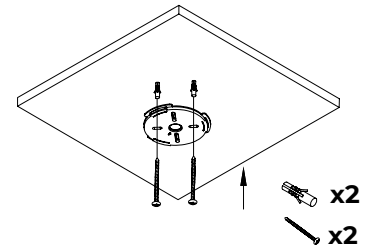
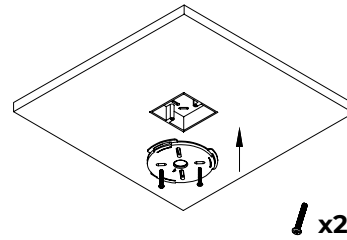
- Warm White (2700K)
- Soft White (3000K)
- Natural White (3500K)
- Bright White (4000K)
- Daylight (5000K)



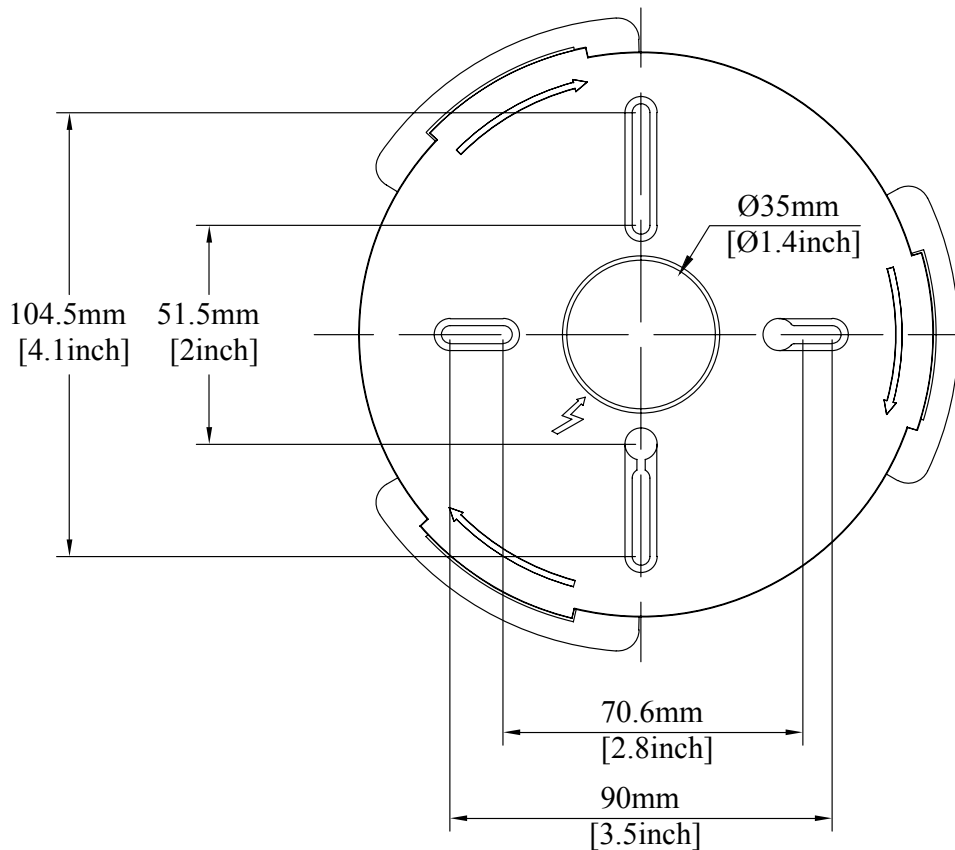
C) Install the mounting plate to the ceiling. There are two types installation:

For Junction Box mounting with flat screws
 (Suitable for 2", 2.5", 3", 3.5", 4" J-Box)

Hard/drywall ceiling mounting with tapered screws and plastic anchors



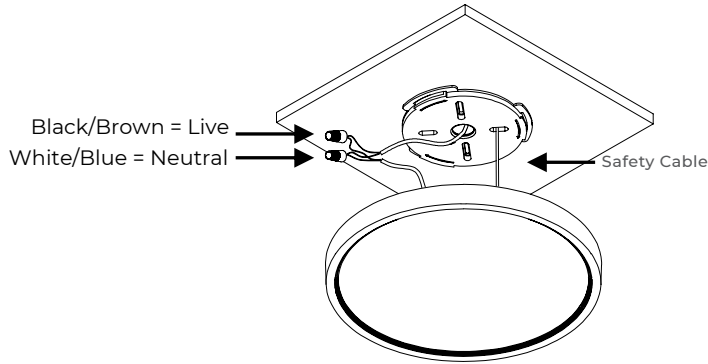
Mounting Plate Drill Pattern:



SAVE THESE INSTRUCTIONS

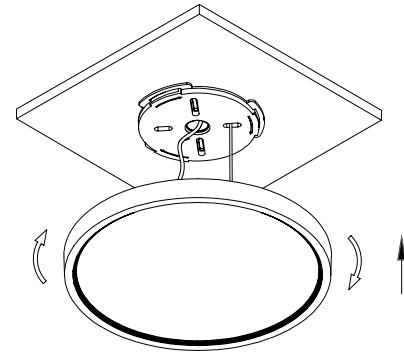
INSTALLATION INSTRUCTIONS (CONTINUED)

D) Connect the luminaire body safety cable to the mounting plate, then connect the wires with the wire nuts. Carefully place all the wires and wire connections into the junction box. Make sure no bare wire or wire strands are visible after making the connections. The luminaire body is made of insulating plastic, no need to connect the ground wire.



E) Match the alignment arrows as indicated on the mounting plate and the luminaire body. Install the luminaire body to the mounting plate by rotating clockwise.

F) Installation complete. 



CLEANING

- Clean the outside of the fixture with a soft, dry cloth or slightly dampened clean cloth. Never use a cleaner with chemicals, solvents, or harsh abrasives to clean the product.
- Do not spray cleaner directly onto any part of the fixture or LEDs as this may permanently damage the light or its functions