



### IMPORTANT SAFETY PRECAUTIONS

**Before you begin, read these instructions completely and carefully.**

- Be certain electrical power is OFF before and during installation, maintenance and removal.
- Luminaire wiring must be properly grounded in accordance with the NEC and any applicable local code requirements.
- Use only UL or IEC approved wire for input/output connections.
- Verify that supply voltage matches voltage on luminaire label. Installation to any other connection may void the warranty.
- Wear gloves during installation to prevent injury and do not expose wiring to metal or sharp edges.
- Do not install in areas subject to combustible vapors or gases. Verify luminaire location ratings are suitable for installation environment (refer to specification sheet as needed).
- Do not restrict luminaire's ventilation by covering with material that will cause luminaire to overheat and potentially shorten the life span.
- Ensure LED luminaire has the correct polarity before installation.

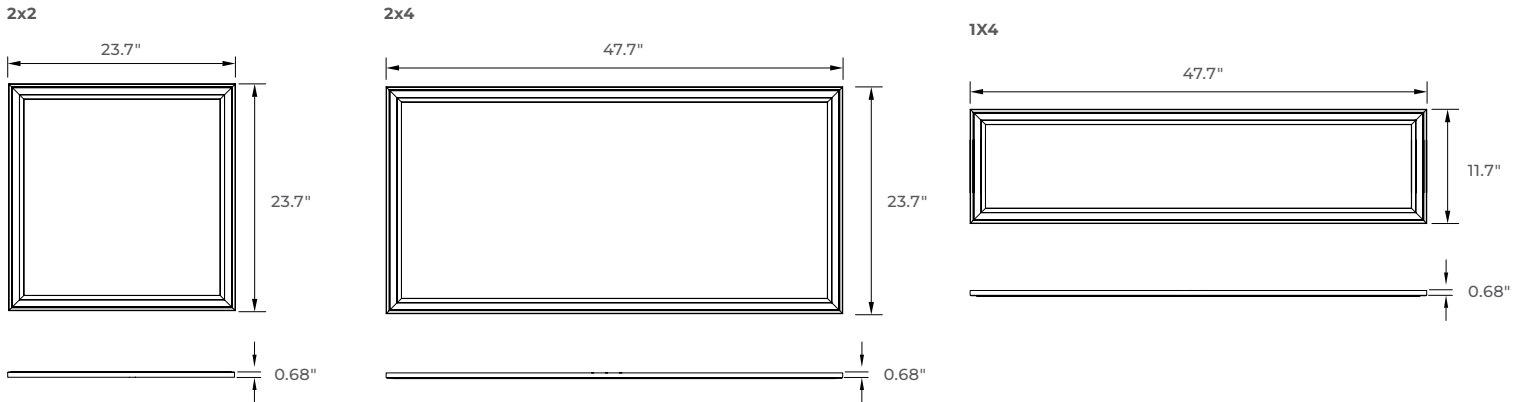


**WARNING:** To reduce the risk of personal injury or property damage from fire, electrical shock, falling parts, abrasions, burns and all other hazards, read all provided warnings and follow installation instructions.

This product should be installed, inspected and maintained by a qualified and licensed electrician. Installation of luminaire must be in accordance with NEC and local code requirements.

**SAVE THESE INSTRUCTIONS**

## DIMENSIONS



## NOTE

Please read this entire manual to fully understand and safely use this product.  
 Specifications are subject to change without notice.  
 Please visit our website the most recent user guide versions.

## INCLUDED IN THIS BOX

1. LED Luminaire
2. Installation instruction
3. Surface mounted kit (for surface mounted)
4. J-box (for recessed)

## INSTALLATION INSTRUCTIONS (RECESSED)

**A)** Remove the surface mounted kit from the luminaire. (Figure 1)

**B)** Bend j-hook 90°, making it vertical to the rear cover of fixture. Repeat on every corner. (Figure 2)

**C)** Turn off power, and remove the ceiling panel.

**D)** Place the panel into the T-bar, ensuring fixture is securely attached. (Figure 3)

**E)** Remove appropriate knock-outs and connect conduit to J-Box.

**F)** Make wiring connections (Figure 4)

### 1. Connect AC Wires

Input L connects to the black wire of the luminaire. N connects to the white wire. Ground connects to the green wire.

2. Connect the wire with terminal caps as shown in the wiring diagram above.

**G)** Close the J-Box. Installation is complete. 

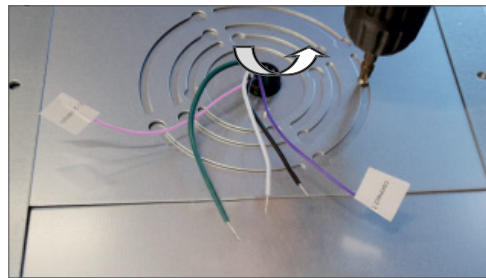


FIGURE 1



FIGURE 2

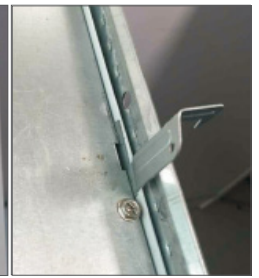


FIGURE 3

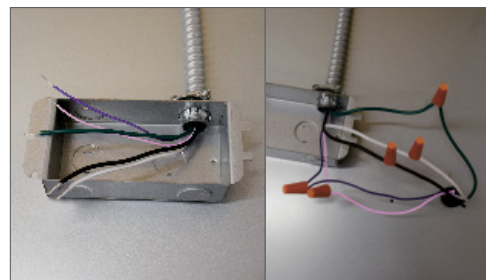


FIGURE 4

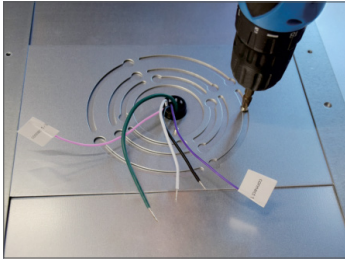


FIGURE 5

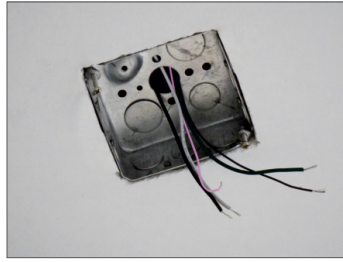
**SAVE THESE INSTRUCTIONS**

**INSTALLATION INSTRUCTIONS (SURFACE MOUNT)**

**A)** Remove the surface mounted kit from the luminaire.



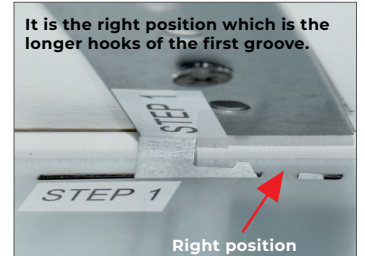
**B)** Turn off power. Insert the L, N wires of the J-box into the male connector.



**C)** Align the holes on the surface mounted kit with the hole on the J-box. Tighten 2#8-32 screws, rotate the plate to your right position and lots of KA3.5\*20mm screws into the ceiling and make the kit flush with the ceiling.



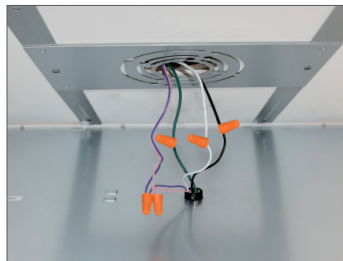
**D)** Align the 2 longer hooks on the metal plate with the longer hole on the luminaire ('STEP 1'). Slightly move the luminaire forward and make sure the hooks are in right position.



**E)** Attach the safety cable to the hook.




**F)** Make wiring connections.



**G)** Put the wire into the J-box.



**H)** Place the luminaire in the ceiling. Make sure the 4 hooks are inside the luminaire and push forward until you hear a clicking sound.

Installation is complete. 



**SAVE THESE INSTRUCTIONS**

**FOR 0-10V DIMMING**

- Compatible with 0-10V dimmer
- The driver VIOLET (D+) to the dimmer+(VIOLET), and the driver PINK(D-) to the dimmer-(PINK)
- Connect the wires with terminal cap as shown in wiring diagram (Figure 6).
- Incoming insulated dimming conductors shall have voltage rated at lease equal to the branch voltage.

**ELECTRICAL CONNECTIONS**

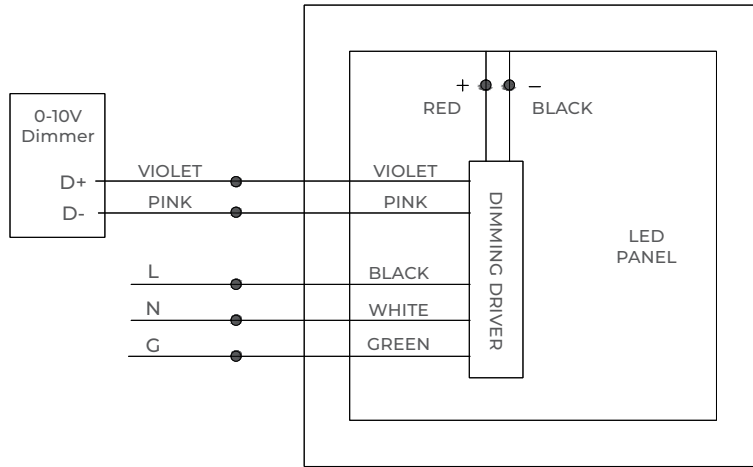


FIGURE 6