



### IMPORTANT SAFETY PRECAUTIONS

**Before you begin, read these instructions completely and carefully.**

- Be certain electrical power is OFF before and during installation, maintenance and removal.
- Luminaire wiring must be properly grounded in accordance with the NEC and any applicable local code requirements.
- Use only UL or IEC approved wire for input/output connections.
- Verify that supply voltage matches voltage on luminaire label. Installation to any other connection may void the warranty.
- Wear gloves during installation to prevent injury and do not expose wiring to metal or sharp edges.
- Do not install in areas subject to combustible vapors or gases. Verify luminaire location ratings are suitable for installation environment (refer to specification sheet as needed).
- Do not restrict luminaire's ventilation by covering with material that will cause luminaire to overheat and potentially shorten the life span.
- Ensure LED luminaire has the correct polarity before installation.

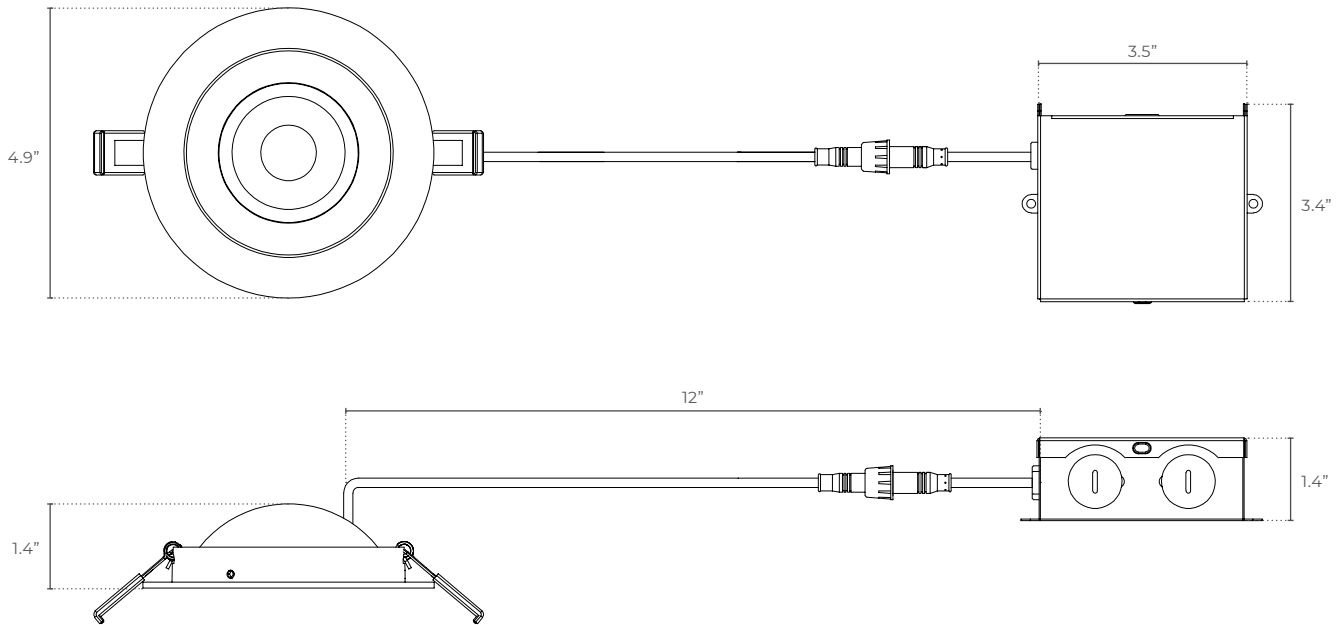


**WARNING:** To reduce the risk of personal injury or property damage from fire, electrical shock, falling parts, abrasions, burns and all other hazards, read all provided warnings and follow installation instructions.

This product should be installed, inspected and maintained by a qualified and licensed electrician. Installation of luminaire must be in accordance with NEC and local code requirements.

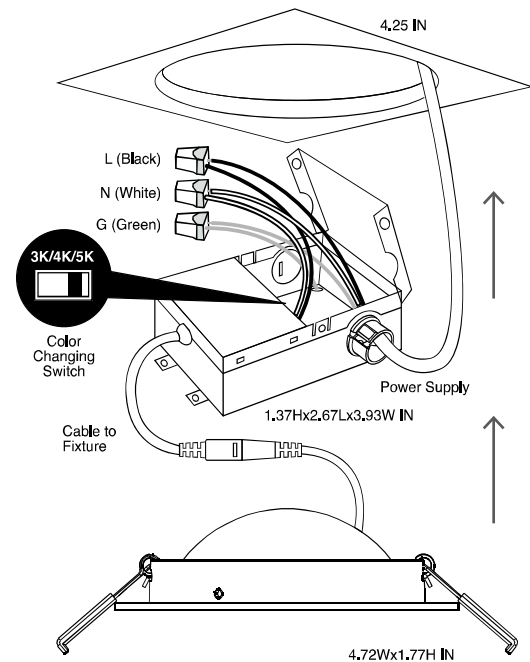
**SAVE THESE INSTRUCTIONS**

## DIMENSIONS



## INSTALLATION INSTRUCTIONS

- A)** Cut a hole in the ceiling in accordance to the hole dimensions mentions above (approximate size).
- B)** Open the hardware box swing cover and remove box knock-outs with a screwdriver.
- C)** AC-120v 50/60Hz - Run your cable Romex (NMD90) or AC90 (BX) into the box and secure cable with proper Romex I BX connectors (not provided).
- D)** Using wire nut / push fit connector to connect the following cables: Ground cable (G) green, with the ground cable, White cable (N) to the white wire in the box and Black cable (L) to the black wire in the box (see figure).
- E)** Move the selector switch to the color temperature of your choice 3000K, 4000K, or 5000K. **Note:** This should be completed prior to Step F. Selector switch is located inside the J-Box.
- F)** Ensure all cables are in the box, and screw lid closed.
- G)** Locate and fix the box in a suitable position, which would be a stud, joist, mounting plate or similar fixed structural material.
- H)** Connect the slim gimbal to the hardware by inserting the male and female connectors together.
- I)** Hold spring clips against fixture and gently guide into mounting hole until spring clips snap into place. Fixture should be flush with ceiling.
- J)** Once assembly is complete turn on power to confirm fixture is working correctly.



## NOTE

**Suitable for wet location. Access above ceiling is required.**

It is recommended and always good practice to keep each slim panel matched with the junction box that comes with it when installing multiple panels.

**SAVE THESE INSTRUCTIONS**