



### IMPORTANT SAFETY PRECAUTIONS

Before you begin, read these instructions completely and carefully.

- Be certain electrical power is OFF before and during installation, maintenance and removal.
- Luminaire wiring must be properly grounded in accordance with the NEC and any applicable local code requirements.
- Use only UL or IEC approved wire for input/output connections.
- Verify that supply voltage matches voltage on luminaire label. Installation to any other connection may void the warranty.
- Wear gloves during installation to prevent injury and do not expose wiring to metal or sharp edges.
- Do not install in areas subject to combustible vapors or gases. Verify luminaire location ratings are suitable for installation environment (refer to specification sheet as needed).
- Do not restrict luminaire's ventilation by covering with material that will cause luminaire to overheat and potentially shorten the life span.
- Ensure LED luminaire has the correct polarity before installation.
- Lynx Linear Lighting is not liable for damages resulting from improper or faulty installation or operation or unauthorized modifications to the luminaire.
- Electrostatic discharge can damage the LED tapelight.
- Do not touch or clean the LEDs.
- Not suitable for covering with thermally insulating material.



**WARNING:** To reduce the risk of personal injury or property damage from fire, electrical shock, falling parts, abrasions, burns and all other hazards, read all provided warnings and follow installation instructions.

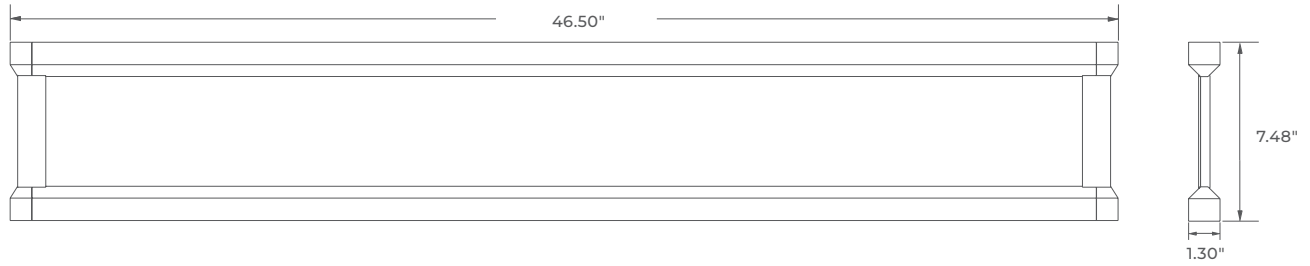
This product should be installed, inspected and maintained by a qualified and licensed electrician. Installation of luminaire must be in accordance with NEC and local code requirements.

**SAVE THESE INSTRUCTIONS**

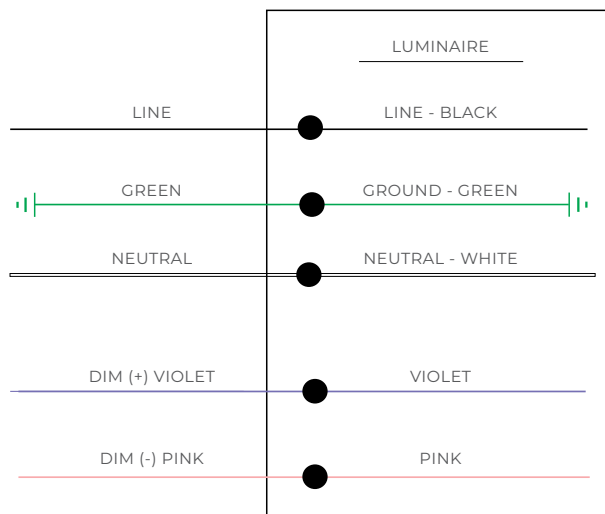


**GLACIER TASK** EDGE-LIT  
ARCHITECTURAL LINEAR LED

**DIMENSIONS**



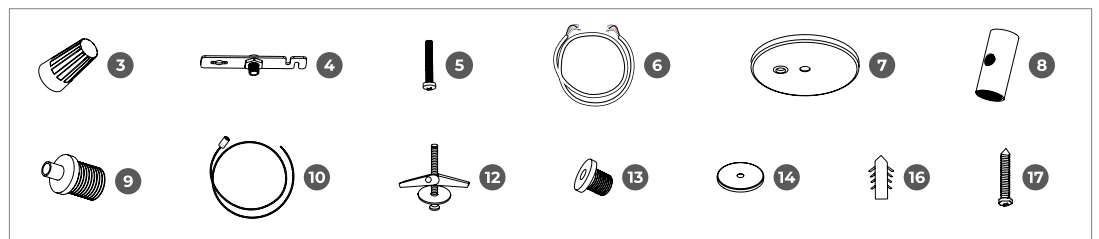
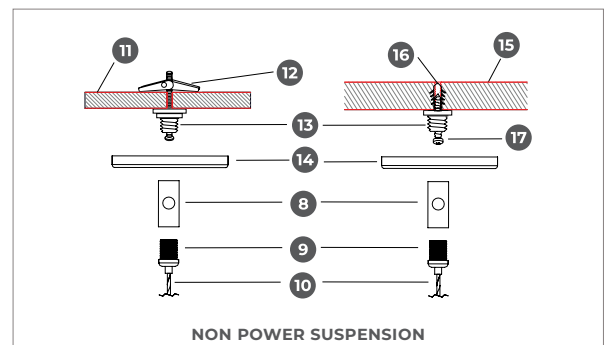
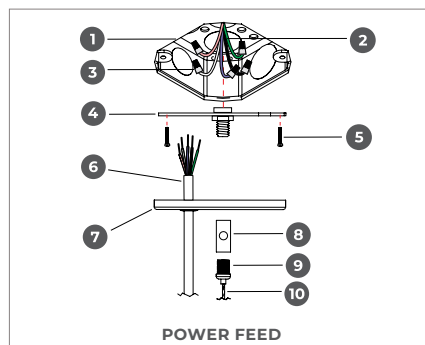
**ELECTRICAL CONNECTIONS**



**MOUNTING**

**DRYWALL CEILING PART LIST**

- 1) 4" Octagon Junction Box (By Others)
- 2) Power Cord (By Others)
- 3) Wire Nut
- 4) Junction Box Crossbar
- 5) Screw PM4\*22
- 6) Power Cord
- 7) 4" Power Canopy Kit
- 8) Cable Holder
- 9) Strain Relief Thread Nut
- 10) Aircraft Cable
- 11) Drywall Ceiling (By Others)
- 12) Butterfly Drywall Anchor
- 13) Crimp Stud
- 14) 2" Canopy
- 15) Solid Ceiling (By Others)
- 16) Anchor
- 17) Screw PA4\*30



**SAVE THESE INSTRUCTIONS**

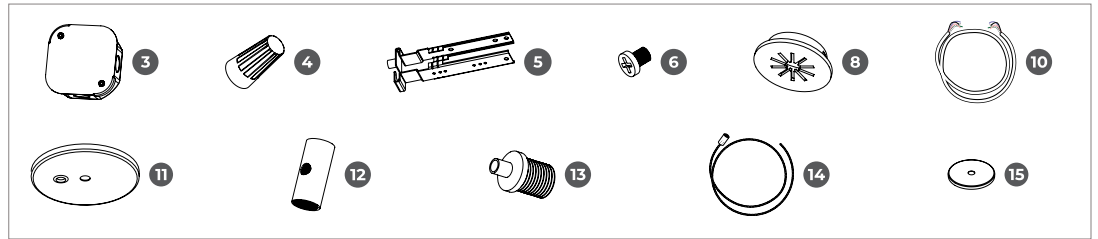
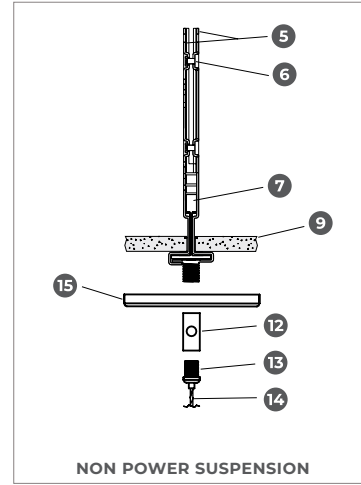
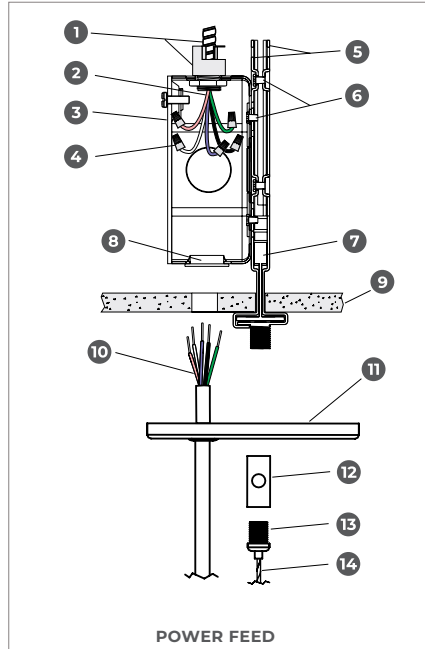


**GLACIER TASK EDGE-LIT**  
ARCHITECTURAL LINEAR LED


**MOUNTING (CONTINUED)**

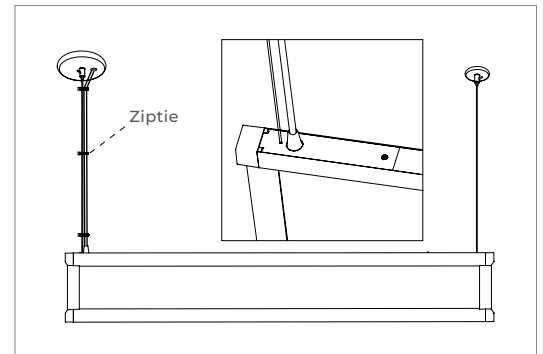
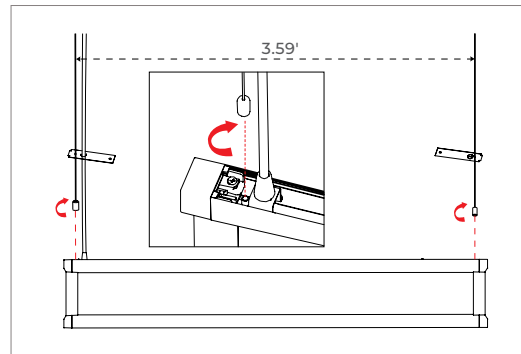
**DROP CEILING PART LIST**

- 1) Armored Cable & Connector (By Others)
- 2) Power Cord (By Others)
- 3) 4" Octagon Junction Box
- 4) Wire Nut
- 5) Assembled T-grid Clips
- 6) Screw 6#\*4
- 7) T-grid (By Others)
- 8) Plastic Grommet
- 9) Ceiling Tile (By Others)
- 10) Power Cord
- 11) 4" Canopy Power Feed
- 12) Cable Holder
- 13) Strain Relief Thread Nut
- 14) Aircraft Cable
- 15) 2" Canopy



**INSTALLATION INSTRUCTIONS - SINGLE FIXTURE**

- A) Screw aircraft cables into fixture housing until secure.
- B) Secure the cover plates on both ends of the fixture.
- C) Mount fixtures to canopy and coverplates.
- D) Adjust aircraft cable to desired height.
- E) Secure power cord to aircraft cable using ziptie. Installation is complete. 



**SAVE THESE INSTRUCTIONS**



**GLACIER TASK** EDGE-LIT  
ARCHITECTURAL LINEAR LED

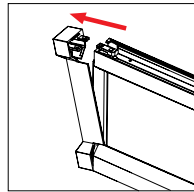
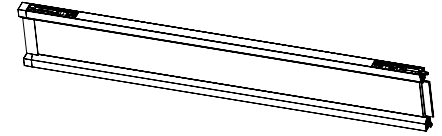
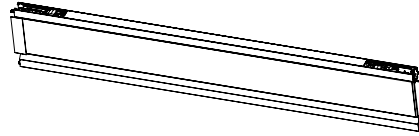
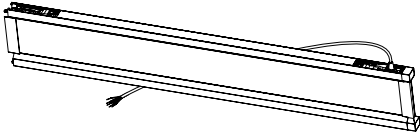
**INSTALLATION INSTRUCTIONS - MULTIPLE FIXTURES**

**PREINSTALLATION:**

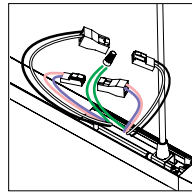
**Start of run:** Remove the end cap on the side without the power cord. (Figure 1)

**Middle of run:** Remove both end caps. (Figure 1, 2, 3, & 4)

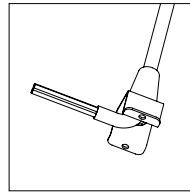
**End of run:** Remove the end cap on the side with the power cord (Figure 2, 3, & 4)



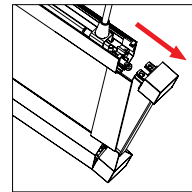
**FIGURE 1**  
Take off the end cap (Non-power feed) by screwdriver



**FIGURE 2**  
Pull out the AC cable by removing 2pcs screws.



**FIGURE 3**  
Take off the AC cable



**FIGURE 4**  
Take off the end cap (Power feed) by screwdriver

A) Hang luminaire and wiring for the start of run fixture, see Individual Fixture instructions.

B) Make connections between fixtures, using connection plates to secure.

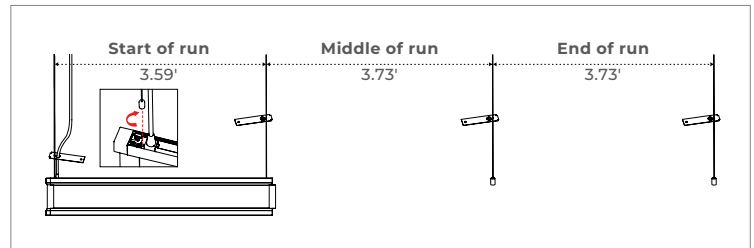
C) Adjust aircraft cable to desired height.

D) Secure powercord to aircraft cable using ziptie.

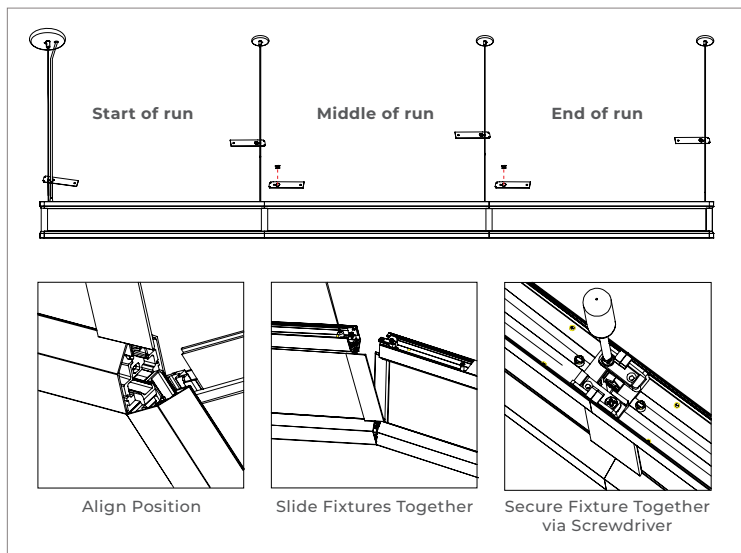
E) Connect internal harnesses.

F) Secure cover plates on the ends of the runs.

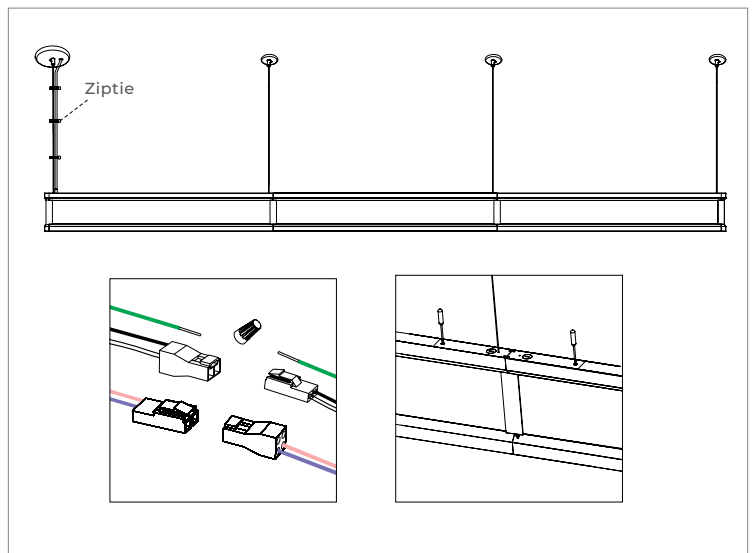
G) Secure powercord to aircraft cable using ziptie. Installation is complete. 



**FIGURE 5**  
Hanging Luminaire & Wiring (Start of Run)



**FIGURE 6**  
Hang & Join Fixtures (Middle or End of Run)



**FIGURE 7**  
Complete Installation

**SAVE THESE INSTRUCTIONS**

