



IMPORTANT SAFETY PRECAUTIONS

Before you begin, read these instructions completely and carefully.

- Be certain electrical power is OFF before and during installation, maintenance and removal.
- Fan wiring must be properly grounded in accordance with the NEC and any applicable local code requirements.
- Use only UL or IEC approved wire for input/output connections.
- Verify that supply voltage matches voltage on fan label. Installation to any other connection may void the warranty.
- Wear gloves during installation to prevent injury and do not expose wiring to metal or sharp edges.



WARNING: To reduce the risk of fire, electrical shock, or personal injury, mount this fan to an outlet box marked "Acceptable for Fan Support of 22.7kg (50lbs)" or less and use Mounting Screws provided with the outlet box. CAUTION: Install the primary mounting means and use only the hardware provided with the fan.

To reduce the risk of personal injury, do not bend the blade brackets when installing the brackets, balancing the blades or clearing the fan. Be careful not to insert foreign objects in between rotating fan blades.

To reduce the risk of fire or electrical shock, do not use this fan with any solid-state speed control device.

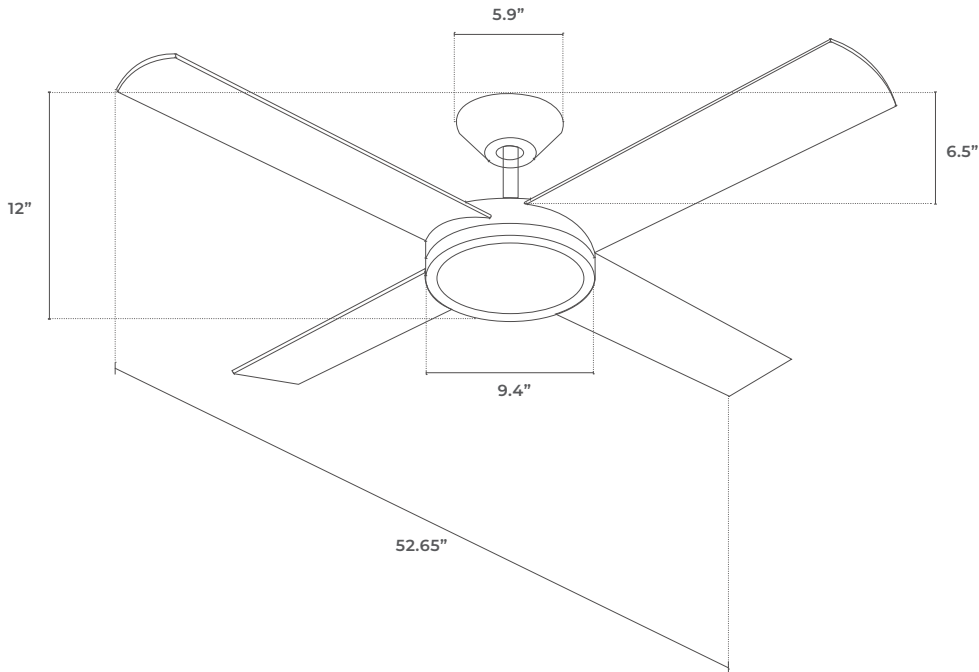


The important safeguards and instructions appearing in this manual are not meant to cover all possible conditions and situations that may occur. It must be understood that common sense, caution and careful attention to detail are factors which cannot be built into this product. These factors must be supplied by the person or persons installing, caring for, and operating the unit.

This product should be installed, inspected and maintained by a qualified and licensed electrician. Installation of luminaire must be in accordance with NEC and local code requirements.

SAVE THESE INSTRUCTIONS

DIMENSIONS

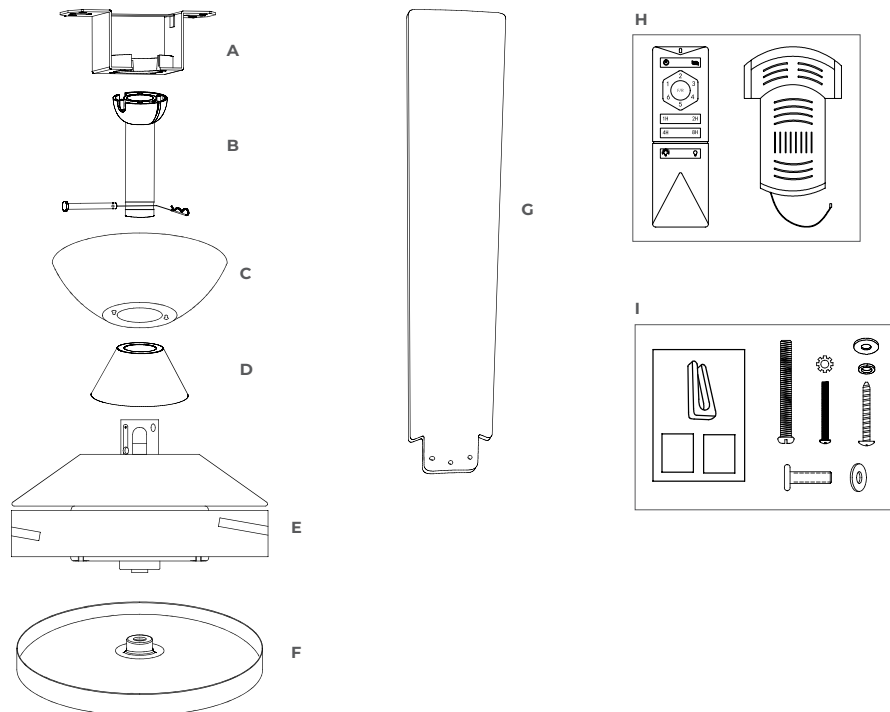


TOOLS AND MATERIALS REQUIRED

- Phillips Screw Driver
- Flat Head Screw Driver
- 11 mm Wrench
- Step Ladder
- Wire Cutters

PACKAGE PARTS

- A) Ceiling Mounting Bracket
- B) Ball/Downrod Assembly
- C) Canopy
- D) Joint cover
- E) Fan Motor Assembly
- F) Decorative covers
- G) The fan blades (4)
- H) A set of controllers
- I) Fasteners Package
 1. Mount Hardware
 - Flat Washer (4)
 - Wood Screw (4)
 - Spring Pad (4)
 - Star Washer (2)
 - Screw (2)
 - Fan blade set screw (13)
 - Red gasket (23)
 2. Balance Kit



IMPORTANT REMINDER: You must use the parts provided with this fan for proper installation and safety.

SAVE THESE INSTRUCTIONS

SPECIFICATION

FAN SIZE	VOLTAGE	MAX FAN POWER	MAX SPEED	GROSS WEIGHT	NET WEIGHT
52"	120V	35W	180 RPM ± 10%	11.3 lbs	10.9 lbs

CEILING MOUNT INSTALLATION

If there isn't an existing UL (cUL for Canadian Installation) listed junction box, then read the following instructions

- A)** Disconnect the power by removing the fuses or turning off the circuit breakers.
- B)** Secure the junction box directly to the building structure. Use appropriate fasteners and building materials. The junction box and its support must be able to fully support the moving weight of the fan (at least 50 lbs). Do not use plastic junction boxes.
- C)** Figures 1 and 2 are examples of different ways to mount the junction box.

NOTE: Depending on the location you have selected for installation, you may need to purchase and install a "Joist Hanger" for the support of the junction box. Make sure the joist hanger you purchase has been designed for use with ceiling fans. (Figure 3)

NOTE: Ceiling mount installation should not be installed on a sloped ceiling with a pitch greater than 30°. (Figure 4)

Figure 1

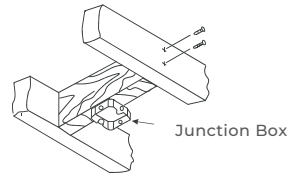


Figure 2

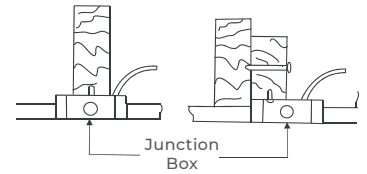


Figure 3

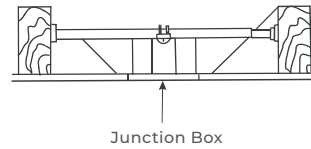
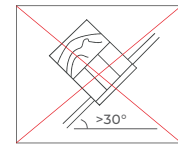
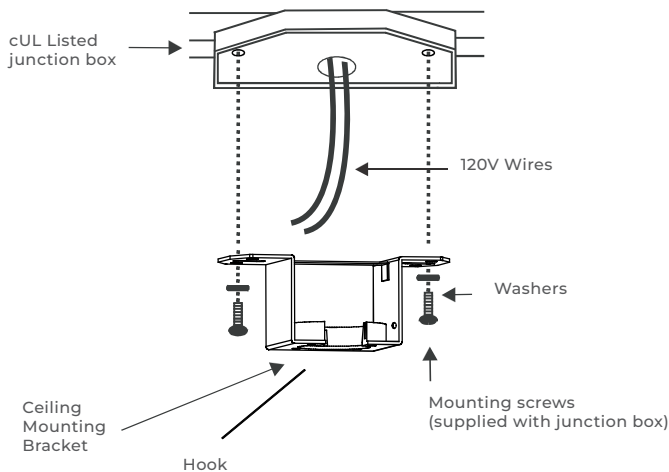


Figure 4



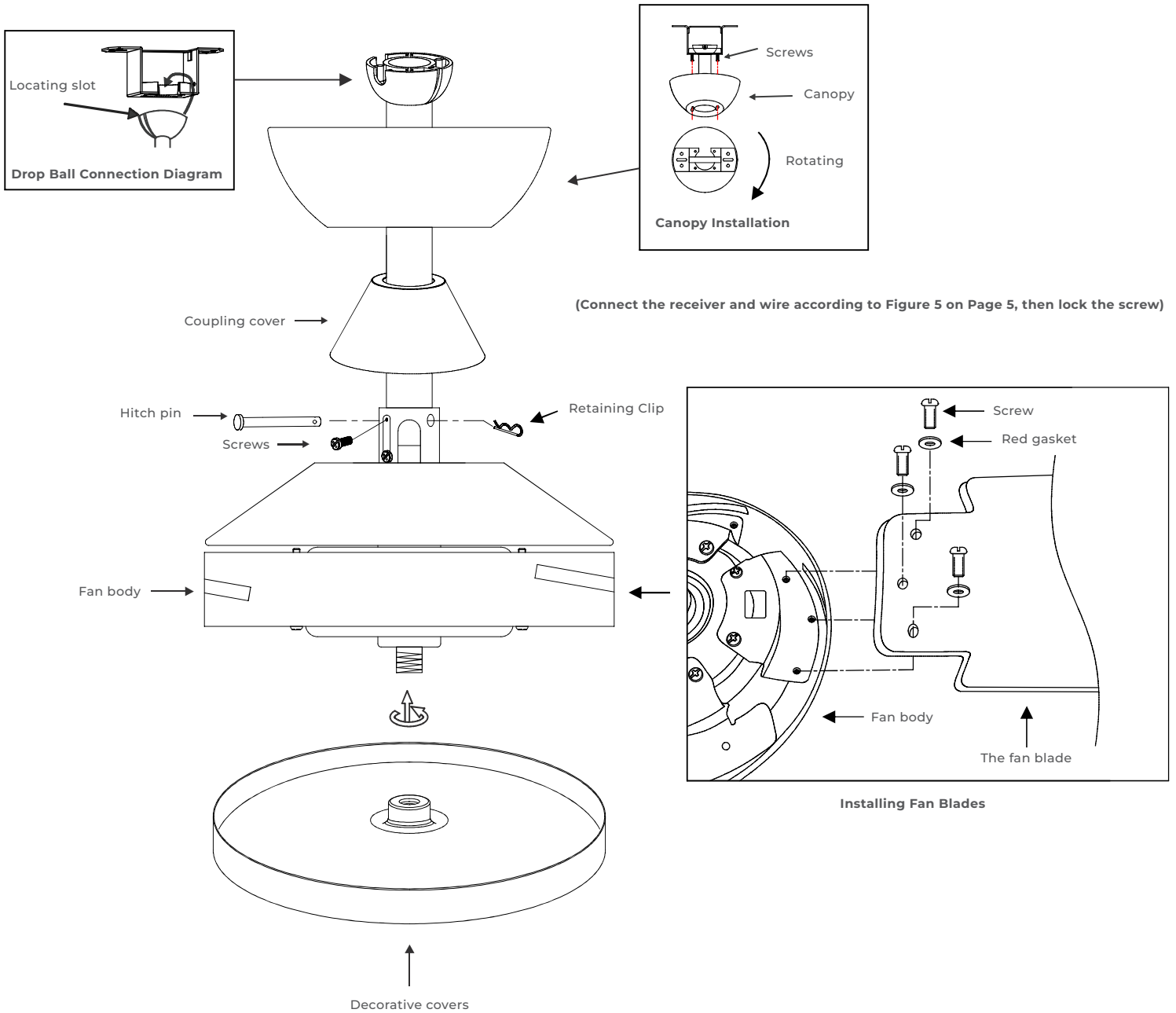
BRACKET INSTALLATION

REMEMBER to turn off the power. Follow the steps below to hang your fan properly



SAVE THESE INSTRUCTIONS

SCHEMATIC DIAGRAM OF THE WHOLE MACHINE INSTALLATION



SAVE THESE INSTRUCTIONS

ELECTRIC CONNECTIONS

WARNING: To avoid possible electrical shock, be sure you have turned off the power at the main circuit panel. Follow the steps below to connect the fan to your household wiring. Use the wire nuts supplied with your fan. Secure the connectors with electrical tape. Make sure there are no loose wire strands or connections.

A) Insert the receiver into the ceiling mounting bracket with the flat side of the receiver facing the ceiling. For best performance, make sure the black antenna on the end of the receiver remains extended and not tangled with any of the electrical wires.

B) Motor to Receiver Electrical Connections

1. Connect the Brown wire from the fan to the Brown wire marked on the receiver.
 2. Connect the Red wire from the fan to the Red wire marked on the receiver.
 3. Connect the Gray wire from the fan to the Gray wire marked on the receiver.
 4. Connect the Blue wire from the fan to the Blue wire marked on the receiver.
 5. Connect the White wire from the fan to the White wire marked on the receiver.
- * Steps 4-5 can be omitted if no luminaire is included.
6. Secure each set of wire connections with the plastic wire nuts provided in the parts bag.

NOTE: The fan power wires and the grounding wires should be placed separately on both sides of the junction box and should not be put together

C) Receiver to Supply Wires Electrical Connections:

1. Connect the Black (hot) supply wire from the ceiling junction box to the black wire on the receiver.
2. Connect the White (neutral) supply wire from the ceiling junction box to the White wire marked on the receiver. Secure each set of electrical connections with the plastic wire nuts provided in the parts bag.

D) Connect the ground wire (green or bare copper) from the junction box to the ground wire on the ceiling mounting bracket and the ground wire from the ceiling fan.

E) After making all connections, separate the white and green wire connections to one side and the black wire connections to the other side of the junction box.

NOTE: Fan must be installed at a maximum distance of 30 feet from the Hand Held Remote Transmitter for optimal signal transmission between the transmitter and the fan's receiving unit.

Figure 5

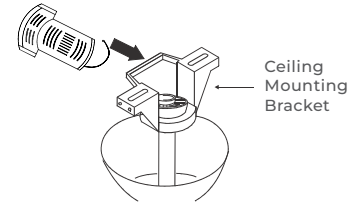
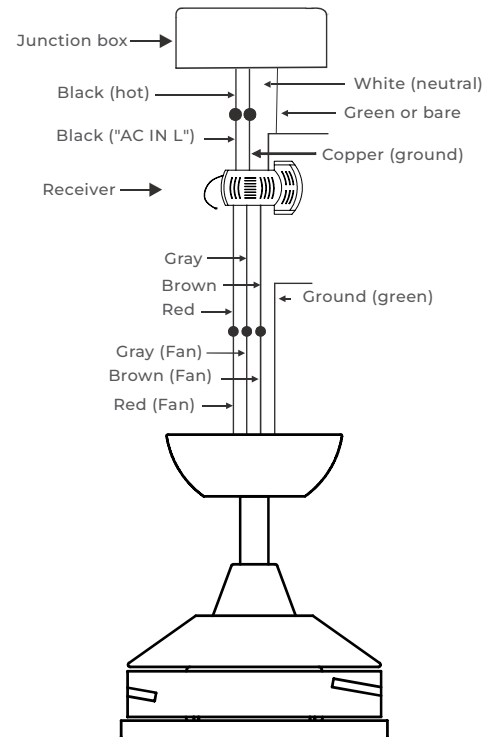


Figure 6



TROUBLESHOOTING

Fan will not start:

1. Check circuit fuses or breakers.
 2. Check all electrical connections to ensure proper contact.
- CAUTION:** Make sure the main power is OFF when checking any electrical connection.

Noisy Operation:

1. Make sure all motor housing screws are snug.
2. Make sure the screws that attach the fan blade brackets to the motor are tight.
3. Ensure that the upper side of the fan blade does not touch the motor cover and the lower side does not touch the bottom cover.
4. Allow a 24-hour "breaking-in" period. Most noise associated with a new fan disappears during this time.
5. If using an optional light kit, make sure the screws securing the glassware are tight. Check that the light bulb is also secure.
6. Some fan motors are sensitive to signals from solid-state variable speed controls. If you have installed this type of control, choose and install another type of control.
7. Make sure the upper canopy is a short distance from the ceiling. It should not be touch the ceiling

Excessive Wobbling:

1. Check that all blade and blade arm screws are secure.
 2. Most fan wobbling problems are caused when blade levels are unequal. Check this level by selecting a point on the ceiling above the tip of one of the blades. Measure this distance. Rotate the fan until the next blade is positioned for measurement. Repeat for each blade. This distance should be within 1/8".
 3. Use the enclosed Blade Balancing Kit if the blade wobble is still noticeable.
 4. If the blade wobble is still noticeable interchanging two adjacent (side by side) blades can redistribute the weight and possibly result in smoother operation.
- WARNING:** To reduce the risk of personal injury, do not bend the blade arm while installing, balancing the blades, or cleaning the fan. Do not insert foreign objects between rotating fan blades

SAVE THESE INSTRUCTIONS

WIRING SCHEMATIC DIAGRAM FOR RECEIVER

Inspect hand held remote transmitter and receiver for damage. Remote and receiver must be sent back to factory for maintenance if damaged.

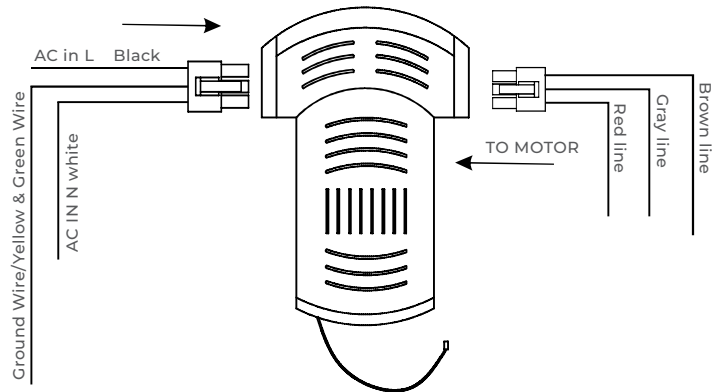
Receiver can be controlled from any angle in the space with the included remote, it is not restricted by direction.

With the memory function, the remote control can save the status (light and direction) while the fan is powered OFF and resume to the previous setting after fan has been powered ON.

Pairing Methods

After turning on the power switch, you can hear a beep, and immediately press the power button in the upper left corner of the remote control. When a long beep is heard, the remote control pairing is successful.

Tip: Please ensure to follow the above within 30 seconds of turning power on. If pairing is unsuccessful, please power off the fan for 10 seconds. After powering on, please follow the above.



POWER PARAMETER LIST

VOLTAGE	FAN (MAX)	LAMP (MAX)
110-130V	50W	36W