



### IMPORTANT SAFETY PRECAUTIONS

**Before you begin, read these instructions completely and carefully.**

- Be certain electrical power is OFF before and during installation, maintenance and removal.
- Luminaire wiring must be properly grounded in accordance with the NEC and any applicable local code requirements.
- Use only UL or IEC approved wire for input/output connections.
- Verify that supply voltage matches voltage on luminaire label. Installation to any other connection may void the warranty.
- Wear gloves during installation to prevent injury and do not expose wiring to metal or sharp edges.
- Do not install in areas subject to combustible vapors or gases. Verify luminaire location ratings are suitable for installation environment (refer to specification sheet as needed).
- Do not restrict luminaire's ventilation by covering with material that will cause luminaire to overheat and potentially shorten the life span.
- Ensure LED luminaire has the correct polarity before installation.

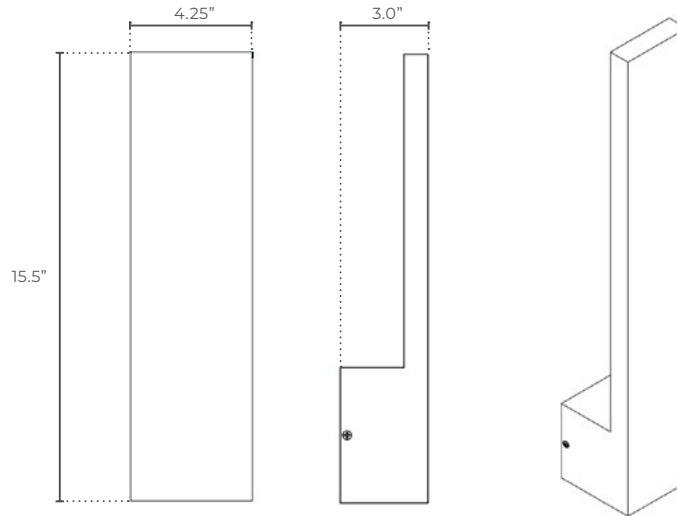


**WARNING:** To reduce the risk of personal injury or property damage from fire, electrical shock, falling parts, abrasions, burns and all other hazards, read all provided warnings and follow installation instructions.

This product should be installed, inspected and maintained by a qualified and licensed electrician. Installation of luminaire must be in accordance with NEC and local code requirements.

**SAVE THESE INSTRUCTIONS**



**DIMENSIONS**

**INSTALLATION INSTRUCTIONS**

**A)** Pull the power supply wires from the outlet box (#1). Attach the mounting bracket (#3) to the outlet box (#1) with two mounting screws (#2). The side of the mounting bracket marked "GND" must face out.

**B)** Connect the power supply wires to the fixture lead wires by connecting the black fixture wire (#9) to the black supply wire (#5), and the white fixture wire (#8) to the white supply wire (#4) using wire nuts (#7).

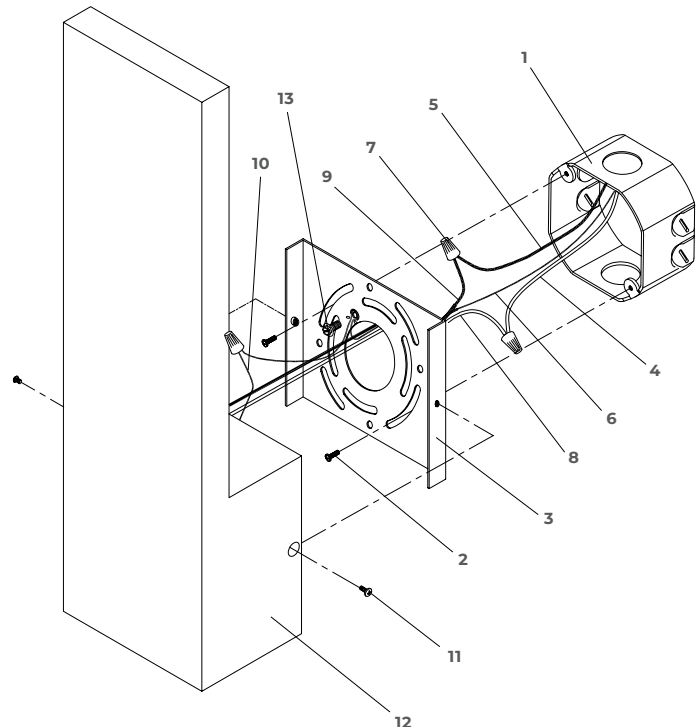
**C)** Partially thread green grounding screw (#13) into side hole on mounting bracket (#3). Connect the fixture ground wire (#10) to the supply ground wire (#6) by fastening on the mounting bracket (#3). Tighten green grounding screw (#13). Do not over tighten.

**D)** After wires are connected, tuck them carefully inside the outlet box (#1).

**E)** Final Assembly: place the fixture housing (#12) over the outlet box (#1). Insert the two fixture screws (#11) and tighten to secure the fixture housing (#12) to the wall.

**F)** Turn on power at circuit breaker to activate this fixture.

**G)** Installation complete. 



PART	PART DESCRIPTION
1	Outlet Box (Not Included)
2	Mounting Screw
3	Mounting Bracket
4	White Supply Wire
5	Black Supply Wire
6	Ground Supply Wire
7	Wire Nut
8	White Fixture Wire
9	Black Fixture Wire
10	Fixture Ground Wire
11	Fixture Screw
12	Fixture Base
13	Green Grounding Screw

**SAVE THESE INSTRUCTIONS**
