



RoHS  
Compliant



### IMPORTANT SAFETY PRECAUTIONS

**Before you begin, read these instructions completely and carefully.**

- Be certain electrical power is OFF before and during installation, maintenance and removal.
- Luminaire wiring must be properly grounded in accordance with the NEC and any applicable local code requirements.
- Use only UL or IEC approved wire for input/output connections.
- Verify that supply voltage matches voltage on luminaire label. Installation to any other connection may void the warranty.
- Wear gloves during installation to prevent injury and do not expose wiring to metal or sharp edges.
- Do not install in areas subject to combustible vapors or gases. Verify luminaire location ratings are suitable for installation environment (refer to specification sheet as needed).
- Do not restrict luminaire's ventilation by covering with material that will cause luminaire to overheat and potentially shorten the life span.
- Ensure LED luminaire has the correct polarity before installation.



**WARNING:** To reduce the risk of personal injury or property damage from fire, electrical shock, falling parts, abrasions, burns and all other hazards, read all provided warnings and follow installation instructions.

This product should be installed, inspected and maintained by a qualified and licensed electrician. Installation of luminaire must be in accordance with NEC and local code requirements.

**SAVE THESE INSTRUCTIONS**



**SAFETY WARNING**

- Suitable for use in damp locations.
- Do not touch bulb / light engine when the fixture is turned on.
- Do not look directly at the light bulb / light engine.
- Keep materials that burn easily away from the light bulb / light engine.
- Turn off fixture and allow to cool before touching hot surfaces.

**INSTALLATION INSTRUCTIONS**

**A)** Always disconnect power at the main electrical panel prior to installation.

**B)** If field selectable CCT, select desired CCT (2700K/3000K/3500K/4000K/5000K) [Figure 2]. If single CCT, skip this step.

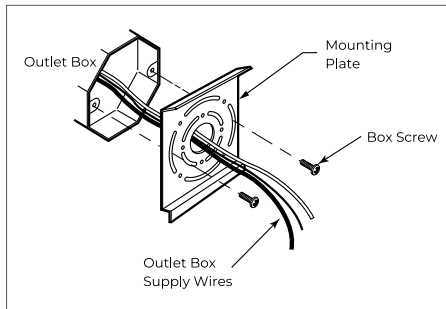
**C)** Feed power supply wires through center hole of mounting plate. Secure mounting plate to junction box using screws so that the fixture mounting points are aligned vertically. (Figure 1)

**C)** Follow wiring instructions in Figure 3 and in wiring section.

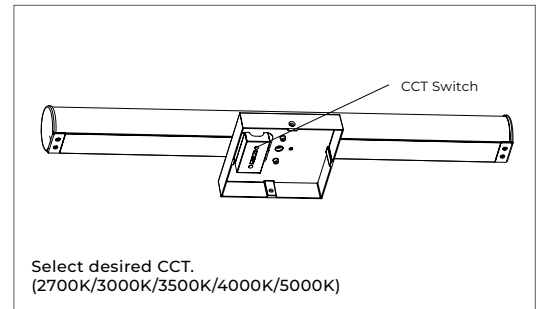
**D)** After connecting all wires as outlined in wiring section, push all wires and wirenuts back through center hole of mounting plate and into the cavity of the junction box, while positioning the fixture to align with the mounting points/tabs.

**E)** Secure decorative back plate with screws at the top of the mounting plate. (Figure 4)

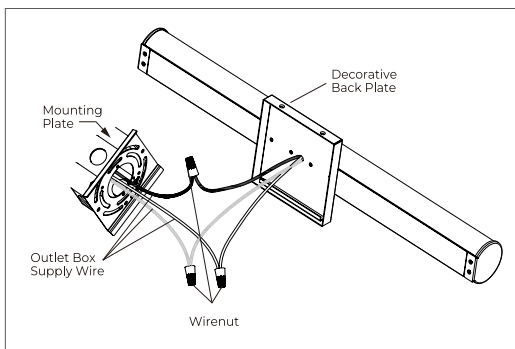
**F)** Installation is complete. 



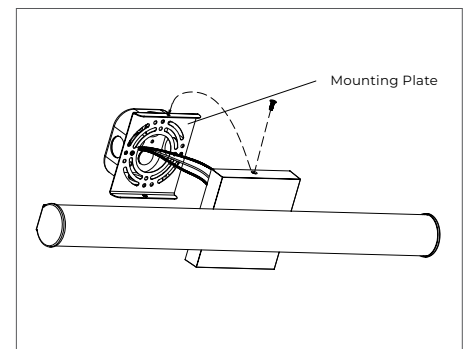
**FIGURE 1**



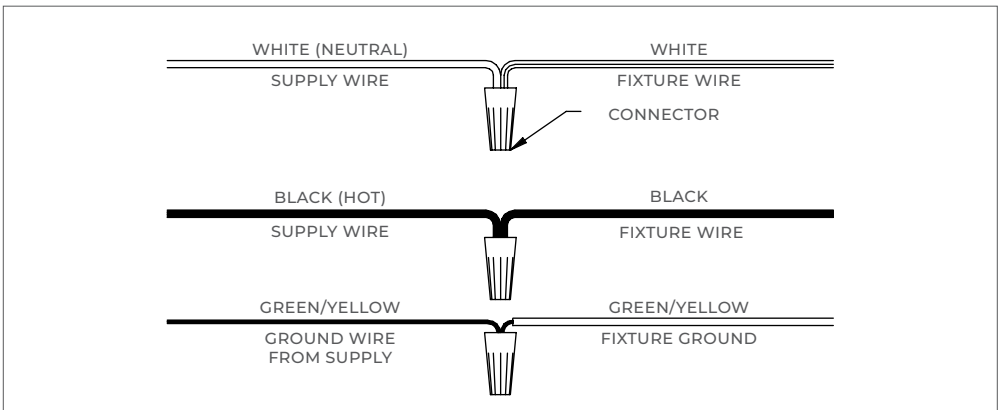
**FIGURE 2**



**FIGURE 3**



**FIGURE 4**



**WIRING GUIDE**

**SAVE THESE INSTRUCTIONS**

