



IMPORTANT SAFETY PRECAUTIONS

Before you begin, read these instructions completely and carefully.

- Be certain electrical power is OFF before and during installation, maintenance and removal.
- Fan wiring must be properly grounded in accordance with the NEC and any applicable local code requirements.
- Use only UL or IEC approved wire for input/output connections.
- Verify that supply voltage matches voltage on fan label. Installation to any other connection may void the warranty.
- Wear gloves during installation to prevent injury and do not expose wiring to metal or sharp edges.



WARNING: To reduce the risk of fire, electrical shock, or personal injury, mount this fan to an outlet box marked "Acceptable for Fan Support of 22.7kg (50lbs)" or less and use Mounting Screws provided with the outlet box. CAUTION: Install the primary mounting means and use only the hardware provided with the fan.

To reduce the risk of personal injury, do not bend the blade brackets when installing the brackets, balancing the blades or clearing the fan. Be careful not to insert foreign objects in between rotating fan blades.

To reduce the risk of fire or electrical shock, do not use this fan with any solid-state speed control device.

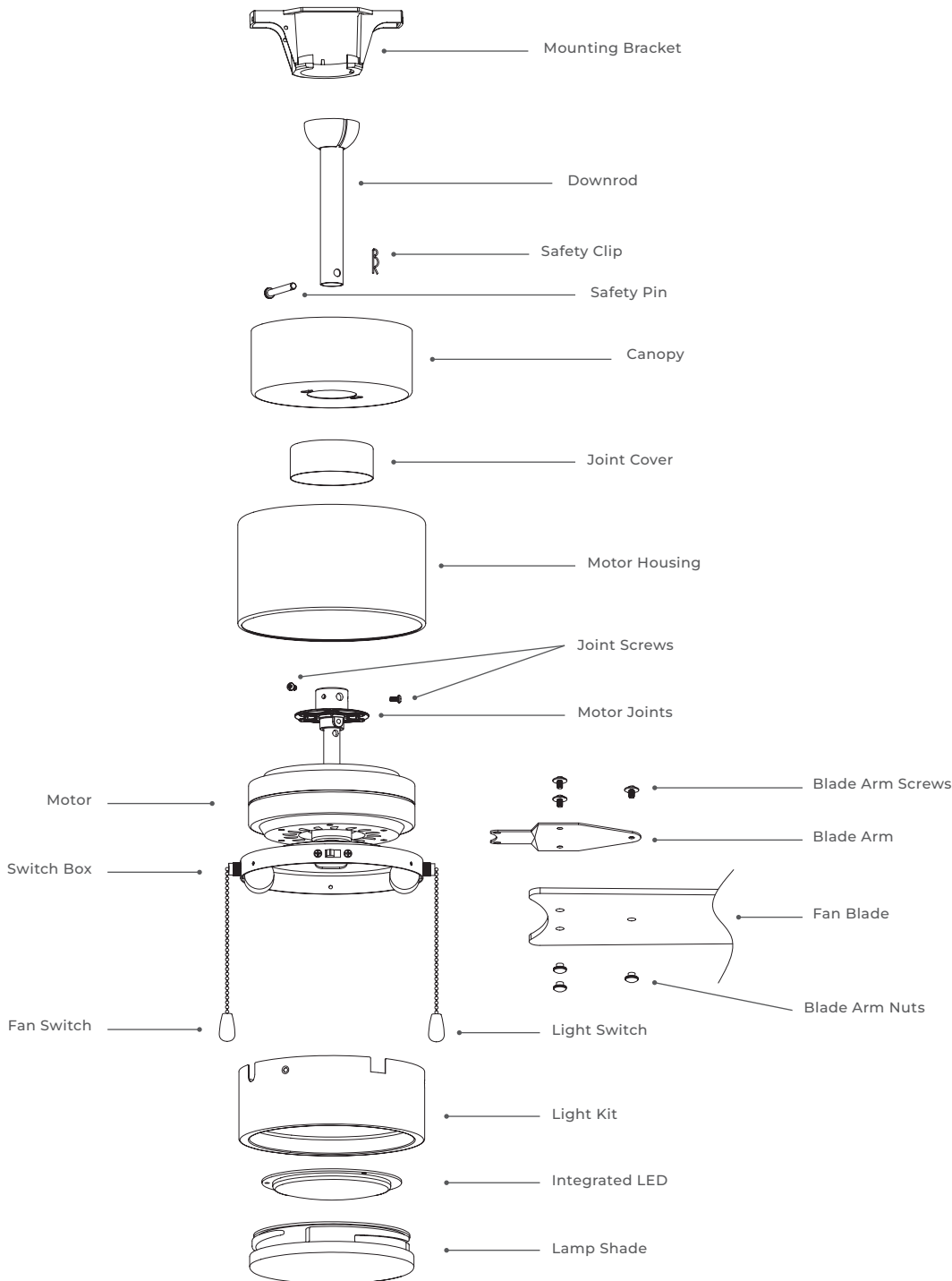


The important safeguards and instructions appearing in this manual are not meant to cover all possible conditions and situations that may occur. It must be understood that common sense, caution and careful attention to detail are factors which cannot be built into this product. These factors must be supplied by the person or persons installing, caring for, and operating the unit.

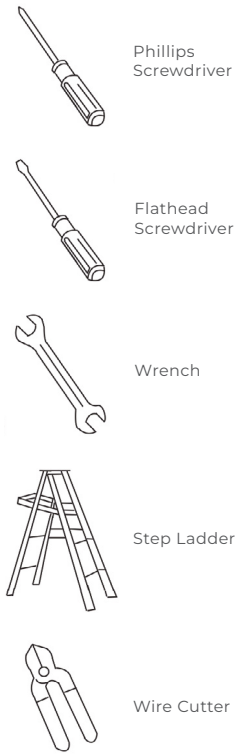
This product should be installed, inspected and maintained by a qualified and licensed electrician. Installation of luminaire must be in accordance with NEC and local code requirements.

SAVE THESE INSTRUCTIONS

PRODUCT PARTS



TOOLS & MATERIALS REQUIRED



PACKAGE CONTENTS

- Mounting Bracket (1)
- Downrod (1)
- Safety Clip and Pin
- Canopy (1)
- Joint Cover (1)
- Motor Assembly (1)
- Blade Arm (3)
- Fan Blade (3)
- Light Kit (1)

SAVE THESE INSTRUCTIONS

MOUNTING OPTIONS

If there isn't an existing UL Listed mounting box, disconnect the power by removing fuses or turning off circuit breakers.

Secure the junction box directly to the building structure. Use appropriate fasteners and building materials. The junction box and its support must be able to fully support the moving weight of the fan (at least 50 lbs.). Do not use plastic junction boxes.

Figure 1 and 2 are examples of different ways to mount the junction box.

Figure 3 is an example of a installation on a steep sloped ceiling. You may need a longer downrod to maintain a proper blade clearance when install on a slope.

To hang your fan where there is an existing fixture but no ceiling joist, you may need an installation hanger bar approved for the ceiling fan support as shown in Figure 4.

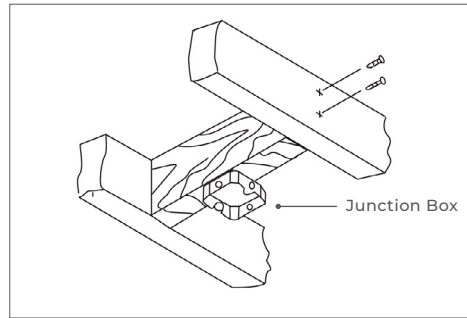


FIGURE 1

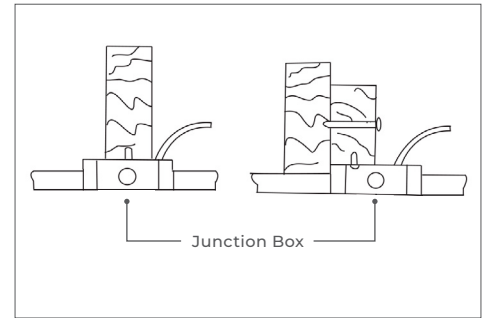


FIGURE 2

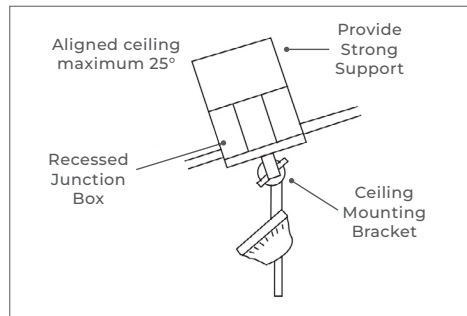


FIGURE 3

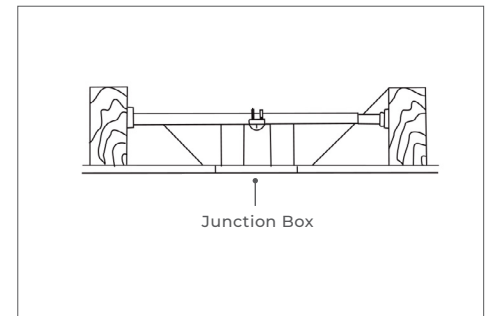


FIGURE 4

INSTALLING THE MOUNTING BRACKET

A) Remove the canopy from the mounting bracket by loosening the 2 set screws on the downside face of the mounting bracket. Set canopy aside.

B) Attach the mounting bracket to the junction box using 2 screws and 2 washers provide (figure 5).

C) For best performance, be sure the mounting bracket is level and secured firmly against the ceiling. You may need to insert additional washers (not included) between the junction box and mounting bracket to make it level.

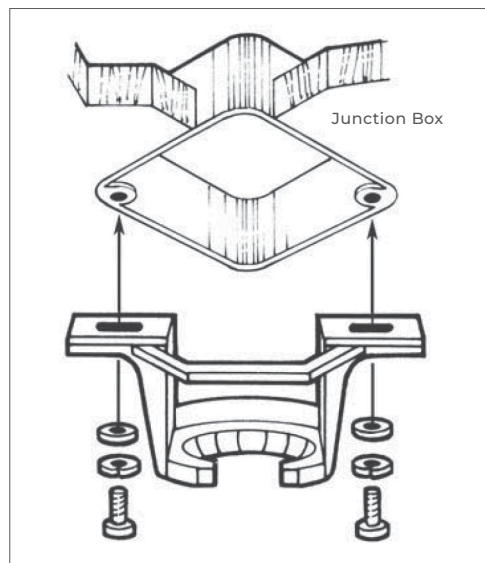


FIGURE 5

SAVE THESE INSTRUCTIONS

FAN ASSEMBLY

A) Align the screw holes in blade arm with fan blade. Locate blade screws and nuts. Fasten with 3 sets for each blade. Make sure the nuts are facing down and screws facing up. Repeat for the remaining blades. (Figure 6)

B) Rotate the motor so a screw hole can be seen through the opening in the switch box. Place the blade arm between the motor and switch box. Align the holes in blade arm and motor. Secure with 2 motor screws for each blade arm. Rotate the motor and repeat for the remaining blade arms. (Figure 7)

C) Loosen and save the 3 screws on the switch box. Locate light kit. Connect wire sockets from light kit and motor. Place light kit onto switch box. Align slots in light kit with switches on switch box. Secure with 3 screws loosened previously. (Figure 8)

D) Loosen joint screw halfway to clear the way for downrod. Take out and save the safety pin on the downrod. Place the canopy and then joint cover onto the downrod. Thread power wires from the motor through the downrod. Insert downrod into the motor joint. Align holes and insert safety pin and clip. Fasten the joint screw. (Figure 9)

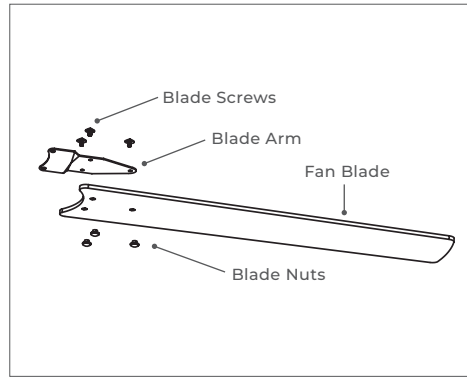


FIGURE 6

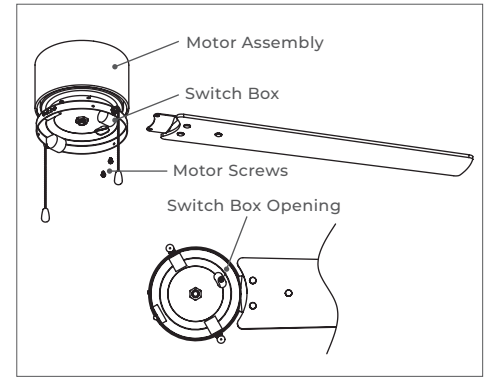


FIGURE 7

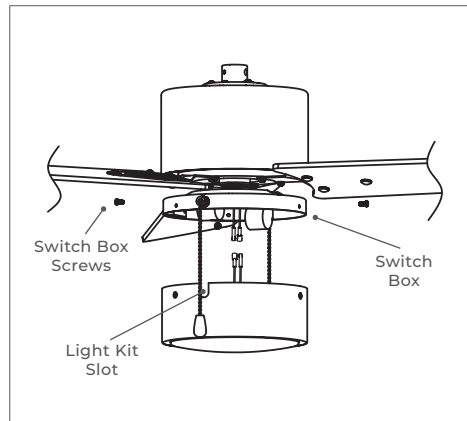


FIGURE 8

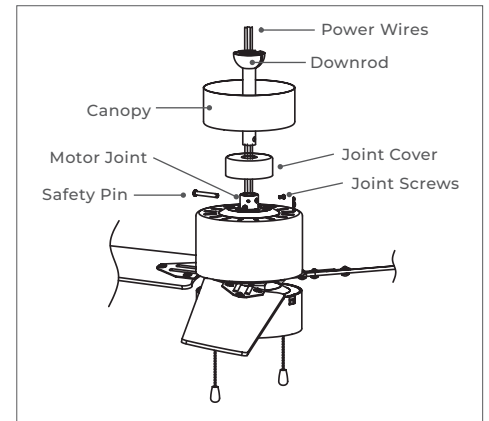


FIGURE 9

HANGING THE FAN

A) Insert the support rod in the side of the mounting bracket. Notice the ball hanger is grooved on one side (figure 10). This keyway fits over the small keyway pin on the inside of the mounting bracket and keeps ceiling fan from spinning on the mounting bracket.

B) Turn the support rod left and right slightly to make sure it is seated on the bracket with the keyway.

C) Trim the lead wires, leaving about 6 inches of each wire extending from the support rod. (Figure 11)

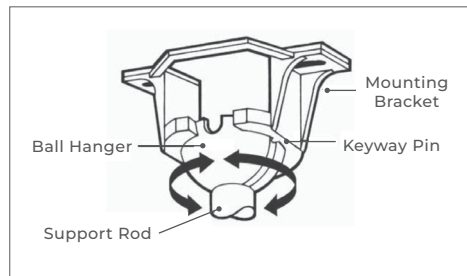


FIGURE 10

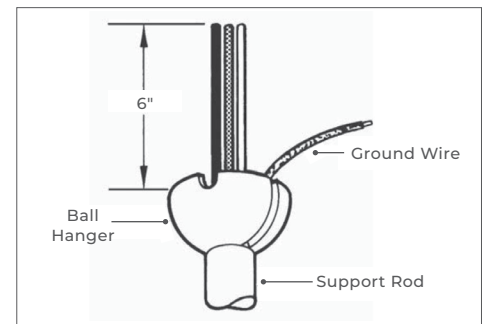


FIGURE 11

SAVE THESE INSTRUCTIONS

ELECTRICAL CONNECTIONS

To reduce the risk of electric shock, ensure electricity has been turned off at the circuit breaker or fuse box before beginning.

To operate your ceiling fan with the pull chain(s) and switches mounted on your fan, follow the instructions below, as shown in Figure 12.

- A)** Connect the fan supply (black) wire and light supply (blue) wire to the black wire in the junction box.
- B)** Connect the fan neutral (white) wire to the neutral (white) wire in the junction box.
- C)** Connect the fan ground (green) wire (connected to the half ball) to the ground wire in the junction box.
- D)** After connecting wires, push wiring into the junction box. Try to push wires apart so that the green and white wires are on one side of the junction box and the black and blue wires are on the other side.

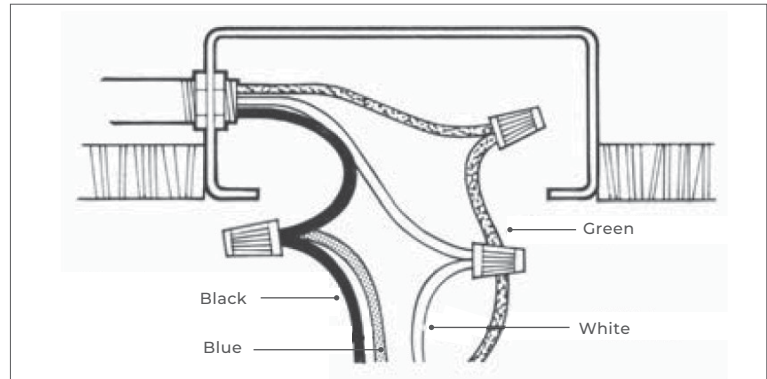


FIGURE 12

FINISHING THE INSTALLATION

Carefully lift the canopy onto the mounting bracket. Properly align the holes and twist to hang the canopy. Tighten the canopy mounting screws.

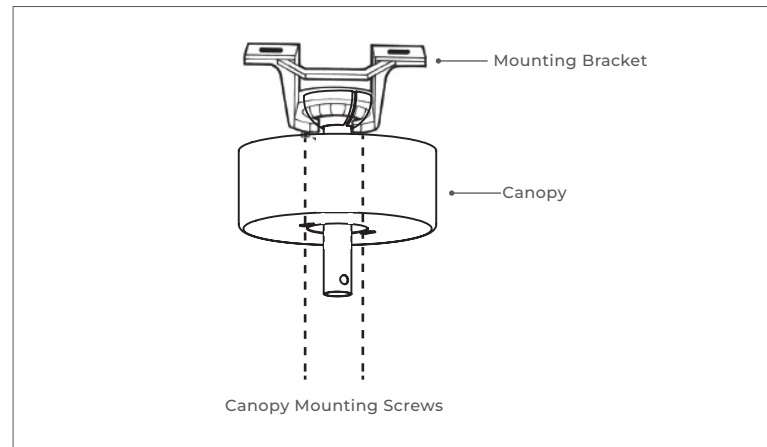


FIGURE 13

OPERATING YOUR FAN

To change the speed of your fan's blades, pull on chain once for HIGH, twice for MEDIUM, three times for LOW, and four times to turn OFF.

To turn on the light, pull on other chain once to turn ON. Once the light is on, Pull the chain once to turn OFF.

The slide switch located on the fan housing controls the blade direction:

- The DOWN position sets the blades for clockwise (forward) rotation (air moves down).
- The UP position sets the blades for counterclockwise (reverse) rotation (air moves up).

NOTE: Wait for the fan to stop before changing the fan direction.

Use the clockwise rotation (forward) for warm weather. The downward airflow creates a cooling effect (Figure 14).

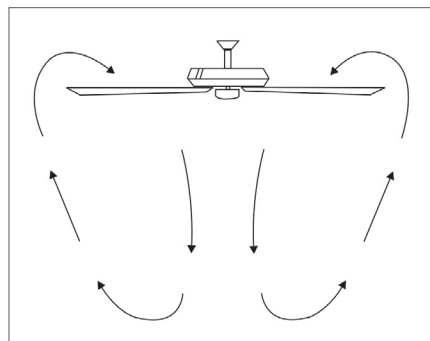


FIGURE 14

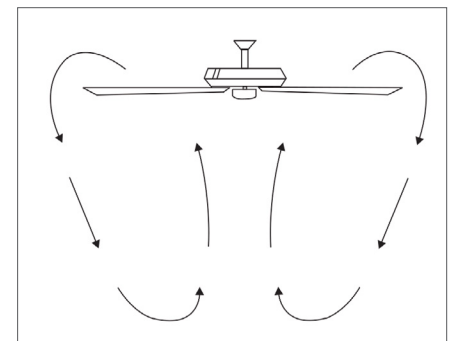


FIGURE 15

Use the counterclockwise rotation (reverse) for cool weather. An upward airflow moves warm air off the ceiling area (Figure 15).

SAVE THESE INSTRUCTIONS

MAINTENANCE

Because of the fan's movement, some connections may become loose over time. Check the support connections, brackets, and blade attachments twice a year. Make sure they are secure. This does not require the fan being removed from the ceiling.

Clean your fan periodically to help maintain its new appearance over the years. Use only a soft brush or lint-free cloth to avoid scratching the finish. The plating is sealed with a lacquer to minimize discoloration or tarnishing. Do not use water when cleaning. Water could damage the motor, wood, or possibly cause an electrical shock.

Apply a light coat of furniture polish to the wood blades for additional protection. Cover small scratches with a light application of shoe polish.

There is no need to oil your fan. The motor has permanently lubricated bearings.

WARNING: To reduce the risk of electric shock, ensure electricity had been turned off at the circuit breaker or fuse box before attempting any repairs and refer to the "ELECTRICAL CONNECTIONS" section of this installation guide.

TROUBLESHOOTING

Problem: Fan will not start.

Solution: Check circuit fuses or breakers for power. With the main power off, check line wire connections to the fan and switch wire connections in the switch housing.

Problem: Fan is making a noise.

Solution: Make sure all motor housing screws are secure. Make sure the screws that attach the fan blade bracket to the motor hub are secure.

With the main power off, make sure wire nut connections are not rubbing against each other or the interior wall of the switch housing. Allow a 24-hour "break-in" period for noise associated with installation.

Make sure glassware screws and bulbs are secure

Make sure the upper canopy is not touching the ceiling

Problem: Fan is wobbling.

Solution: Check that all blade and blade arm screws are secure. Check the fan blade levels by selecting a point on the ceiling above the tip of one of the blades. Measure the distance from blade to ceiling. Rotate the fan until the next blade is in position for measurement. Repeat for each blade. The distance deviation should be equal or within 1/8".

Use the enclosed blade balancing kit if the blade wobble is still noticeable or swap two blades to redistribute the weight for a smoother operation.

WARNING: To reduce the risk of personal injury, do not bend the blade arm while installing, balancing, or cleaning the fan. Do not insert objects in the path of blades.