



RoHS
Compliant



IMPORTANT SAFETY PRECAUTIONS

Before you begin, read these instructions completely and carefully.

- Be certain electrical power is OFF before and during installation, maintenance and removal.
- Fan wiring must be properly grounded in accordance with the NEC and any applicable local code requirements.
- Use only UL or IEC approved wire for input/output connections.
- Verify that supply voltage matches voltage on fan label. Installation to any other connection may void the warranty.
- Wear gloves during installation to prevent injury and do not expose wiring to metal or sharp edges.



WARNING: To reduce the risk of fire, electrical shock, or personal injury, mount this fan to an outlet box marked "Acceptable for Fan Support of 22.7kg (50lbs)" or less and use Mounting Screws provided with the outlet box. CAUTION: Install the primary mounting means and use only the hardware provided with the fan.

To reduce the risk of personal injury, do not bend the blade brackets when installing the brackets, balancing the blades or clearing the fan. Be careful not to insert foreign objects in between rotating fan blades.

To reduce the risk of fire or electrical shock, do not use this fan with any solid-state speed control device.



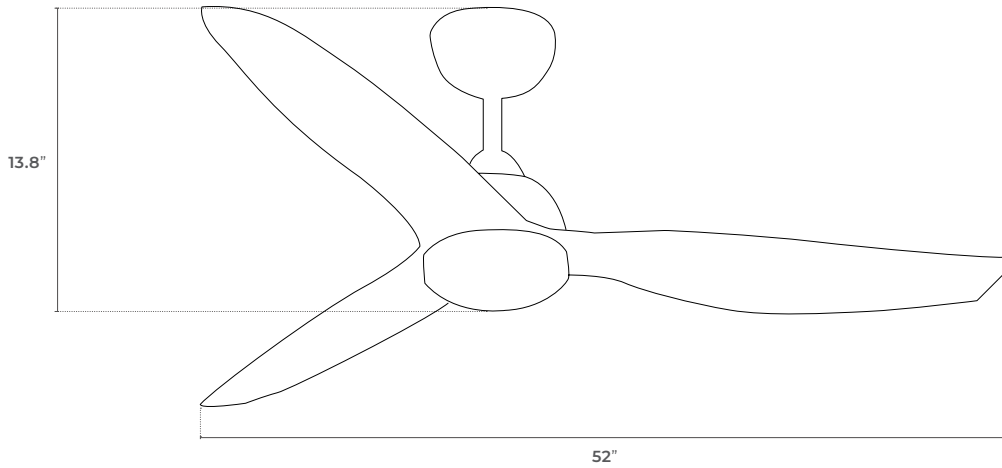
The important safeguards and instructions appearing in this manual are not meant to cover all possible conditions and situations that may occur. It must be understood that common sense, caution and careful attention to detail are factors which cannot be built into this product. These factors must be supplied by the person or persons installing, caring for, and operating the unit.

This product should be installed, inspected and maintained by a qualified and licensed electrician. Installation of luminaire must be in accordance with NEC and local code requirements.

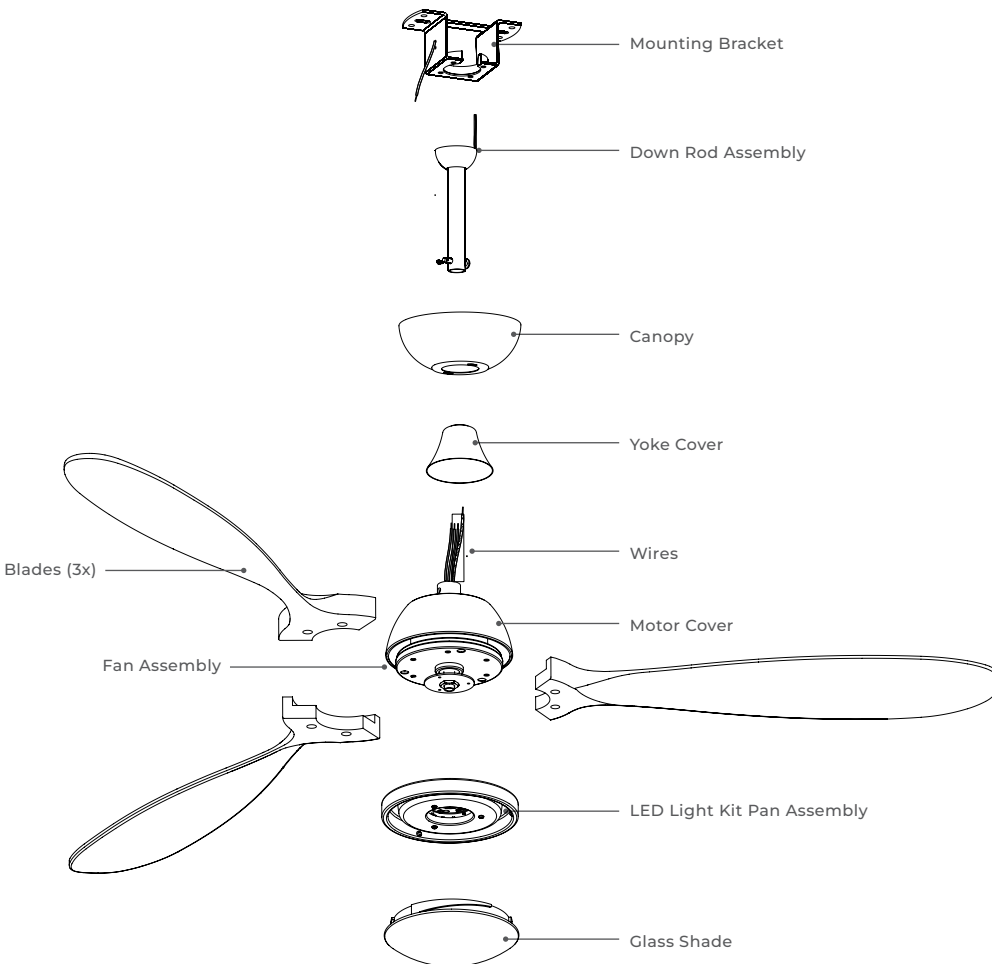
SAVE THESE INSTRUCTIONS



DIMENSIONS



PRODUCT PARTS



HARDWARE

Mounting Brackets

- Flat Washer (2x)
- Spring Washer (2x)
- Machine Screw (2x)
- Mounting Screw (2x)

Blade Installation

- Flat Washer (2x)
Includes 1 Spare Washer
- Blade Screw (2x)
Includes 1 Spare Washer

Blade Balance

- Balanced Slide (1x)
- Weight Block (3G x 3)

Wire Connection

- Wire Nut (3x)

Remote Control



Hardware

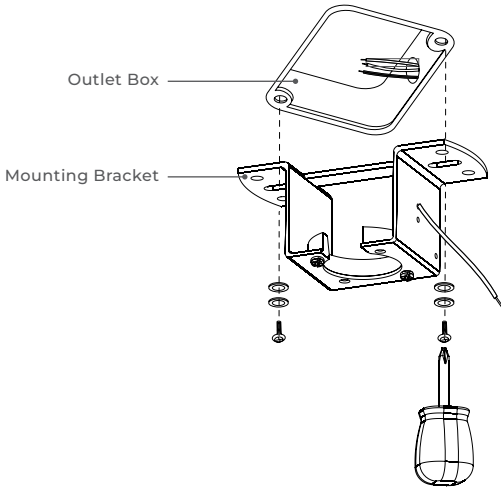
- Mounting Screw (2x)
- Wall Anchor (2x)
- Wire Nut (2x)

SAVE THESE INSTRUCTIONS

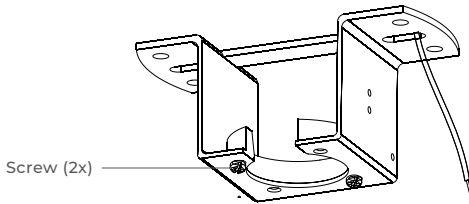


HANGING SYSTEM INSTALLATION
INSTALLING MOUNTING BRACKET TO CEILING OUTLET BOX

A) Install the mounting bracket to the outlet box in ceiling by using screws included with the outlet box and washer from the hardware bag.

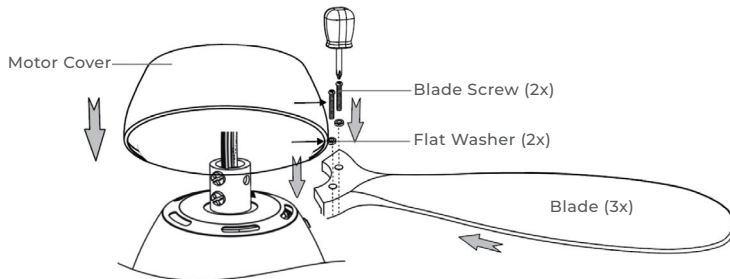
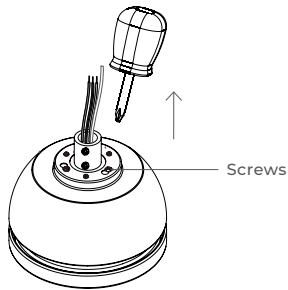


B) Loosen the bottom screws from the mounting bracket. **Do not remove the screws.**



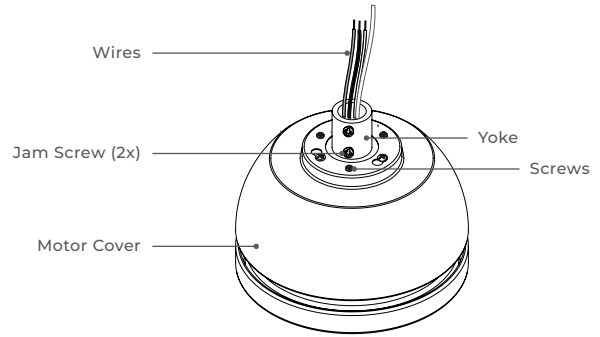
BLADE INSTALLATION

- A)** Remove 3 screws from the upper pad of motor to assemble the blades.
- B)** Attach blades to motor with screws from accessory bag. Repeat this step for each blade.
- C)** Blades can be installed on the ground prior to attaching fan to the mounting bracket.



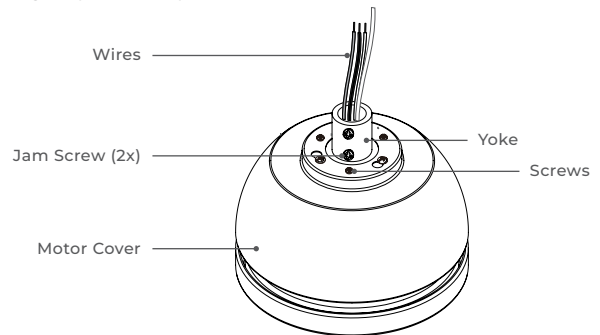
REMOVE MOTOR COVER

Loosen and remove the 3 screws from the motor body. Then remove the motor cover.



ASSEMBLE MOTOR COVER

Reattach the motor cover to the motor by fastening the screws that were removed during the previous step.

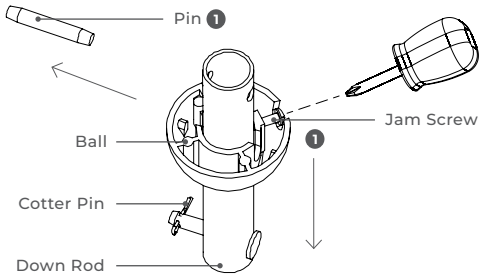


SAVE THESE INSTRUCTIONS

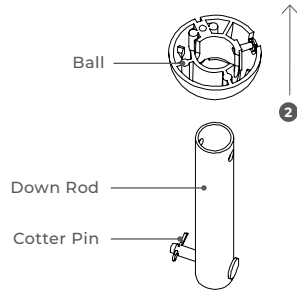


DOWN ROD INSTALLATION

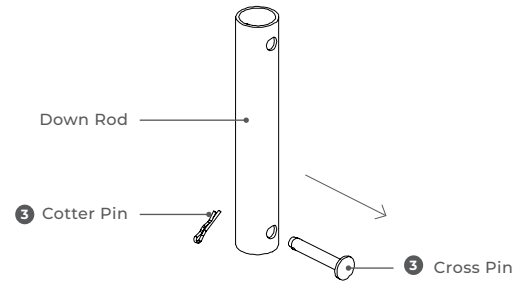
A) Loosen the jam screw from the hanging ball and pull it down, remove the pin from down rod and keep it for Step F.



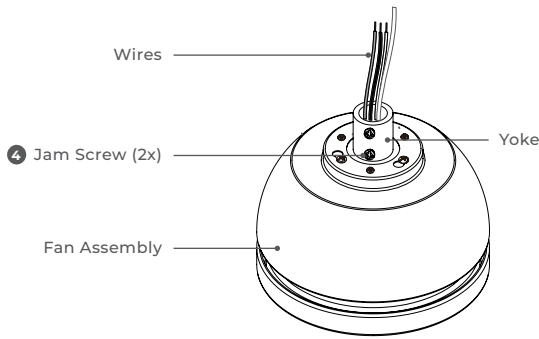
B) Remove the hanging ball and keep it for Step F.



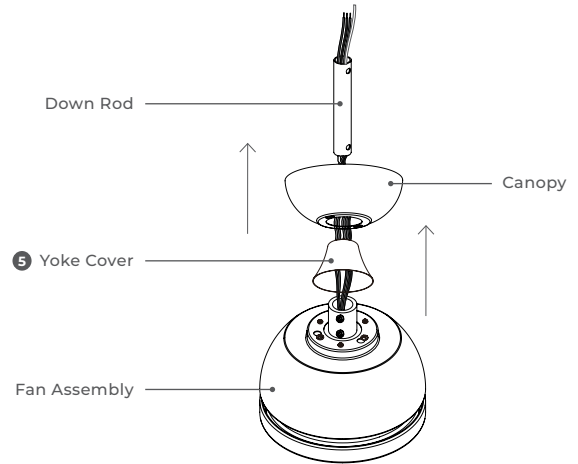
C) Remove cross pin and cotter pin from down rod and keep it for Step H.



D) Loosen two down rod jam screws at yoke.

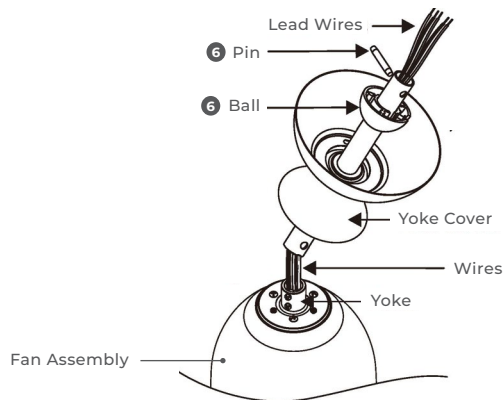


E) Insert down rod through canopy and yoke cover, and feed motor lead wires through down rod.



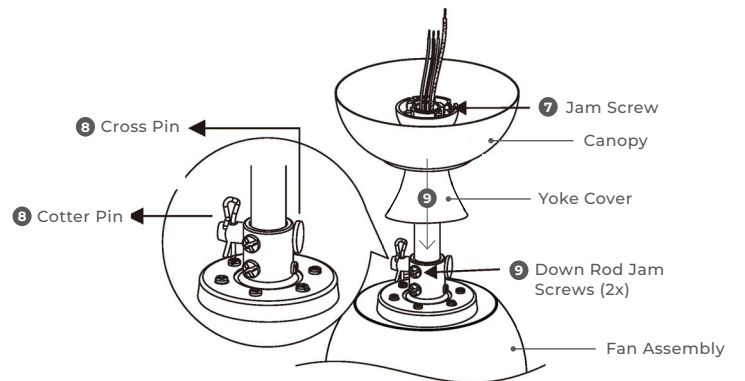
F) Insert hanging ball through down rod and insert the pin back into the down rod (removed from Steps A and B).

G) Tighten the jam screw back to the hanging ball and make sure it is tight (loosened for Step A).



H) Insert down rod assembly into yoke. Put the cross pin through the yoke and down rod and secure with the cotter pin (Removed for Step C).

I) Tighten both down rod jam screws to further secure the down rod. Pull down the yoke cover.



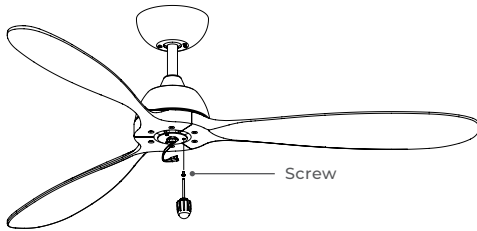
SAVE THESE INSTRUCTIONS



LED LIGHT KIT PAN ASSEMBLY INSTALLATION

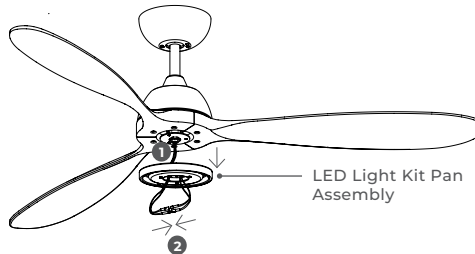
NOTICE: New models have LED Light Kit Pan Assembly installed on the fan, however terminal connections need to be made, see Step B.

A) Remove one of the 3 pre-installed screws on the adapter.

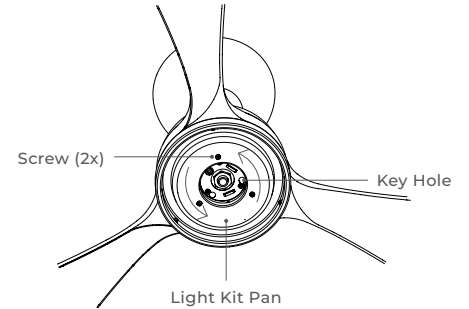


B) Insert wires through the center hole of the LED Light Kit Pan Assembly (1).

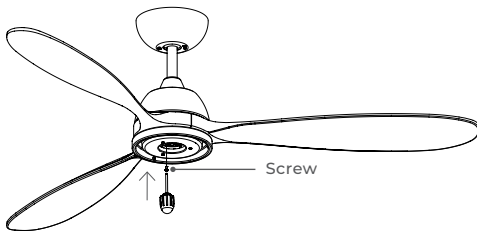
Connect 2-pin male terminal connector from LED Light Kit Pan Assembly to 2-pin female connector from fan (2).



C) Rotate the Light Kit Pan slightly until 2 pre-installed screw heads are engaged in the narrow end of key holes.

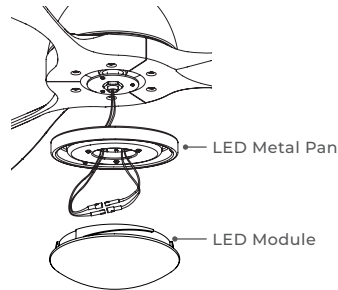


D) Attach screw (removed from Step A), and tighten 3 screws.



E) Connect 2-pin male terminal connector from LED module to 2-pin female connector from fan.

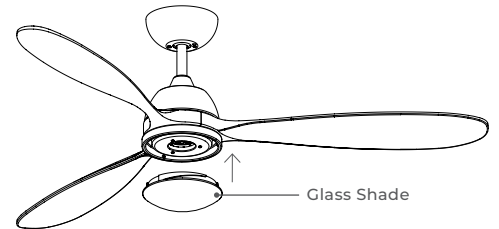
Put the LED module in the middle of the LED metal pan. The LED Module attaches to the metal pan with magnets.



F) Attach the glass shade onto the Light Kit Pan Assembly.

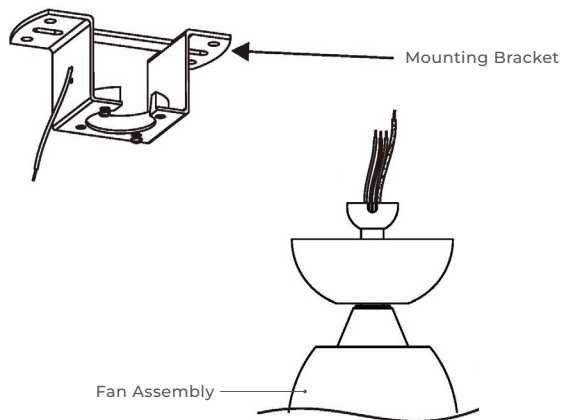
Pay attention to the dented part inside the glass lamp shade. Then put the dented position toward to the protruded position inside the metal pan.

Rotate clockwise into the correct position and ensure glass shade is tightly secured within the Light Kit Pan Assembly.

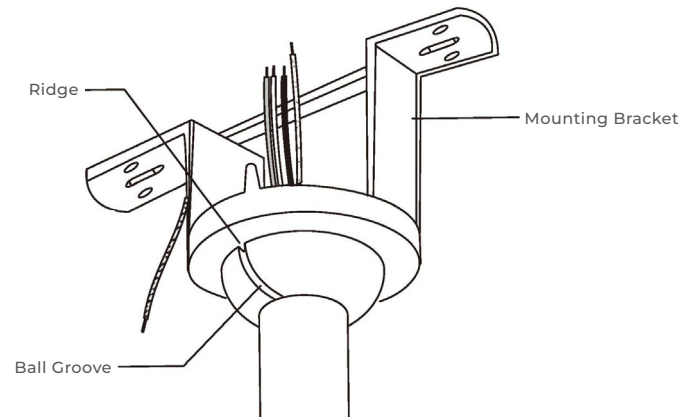


ATTACHING FAN TO THE MOUNTING BRACKET

A) Lift the fan assembly onto the mounting bracket.



B) Rotate the fan so that the groove on the ball engages the ridge in the mounting bracket.

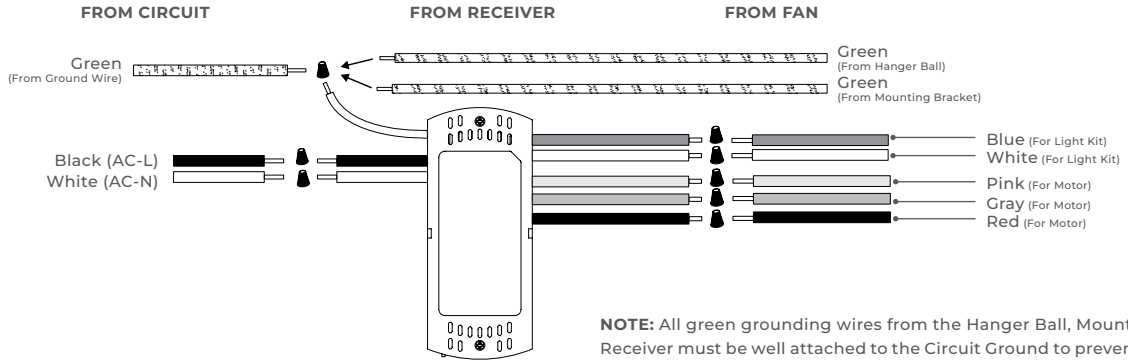


SAVE THESE INSTRUCTIONS



WIRING INSTALLATION

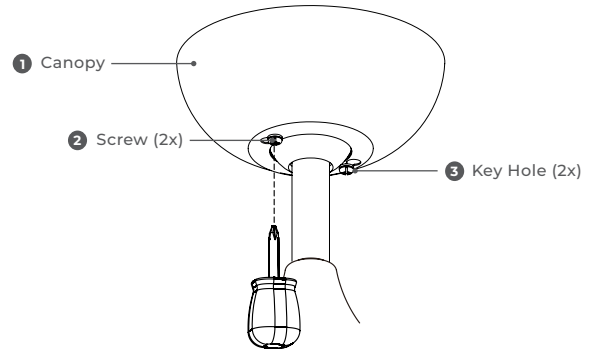
- A) There are 5 different colors on the output terminal of the receiver. Connect the same color wires on the receiver with the wires from the fan with wire nuts.
- B) There are 3 wires on the input terminal (Line - Black, Neutral - White, Ground - Green). Connect the line/black wires and the neutral/white wires from the circuit to the input terminal on the receiver. Connect the ground/green wire from the circuit to the ground/green wires from the receiver, mounting bracket and hanger ball.



CANOPY INSTALLATION

NOTICE: Two screws are pre-installed on the mounting bracket for canopy installation.

1. Push up the canopy until the two pre-installed screws on the mounting bracket are engaged with two key holes on canopy.
2. Rotate the canopy slightly until the two pre-installed screw heads are engaged in the narrow end of the key holes.
3. Tighten both screws.

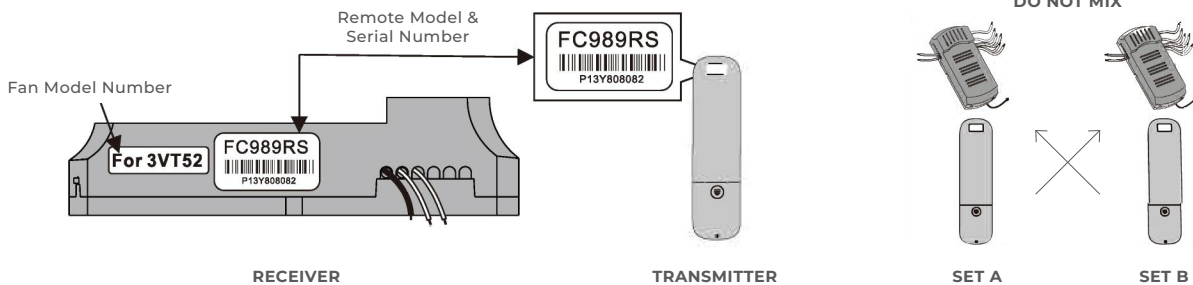


WIRING INSTALLATION

Verify that the serial number and model number match on the receiver and the transmitter.

NOTICE: Many remote sets for DC fans look the same. This remote set is pre-paired and labeled at the factory, please note the following before operation:

- 1a. The Remote Model Number on transmitter and receiver must be the same.
- 1b. The Remote Serial Number will be the same on a pre-paired remote set. If it is different, it will need to be paired (see page 9).
- 2. Do not mix the remote sets if you are installing more than one fan.



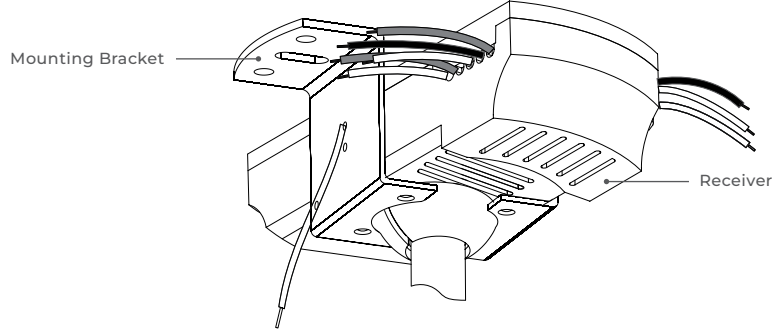
SAVE THESE INSTRUCTIONS



WIRING INSTALLATION (CONTINUED)

Insert receiver into the mounting bracket.

NOTICE: Do not squeeze the wires while inserting the receiver into the mounting bracket.

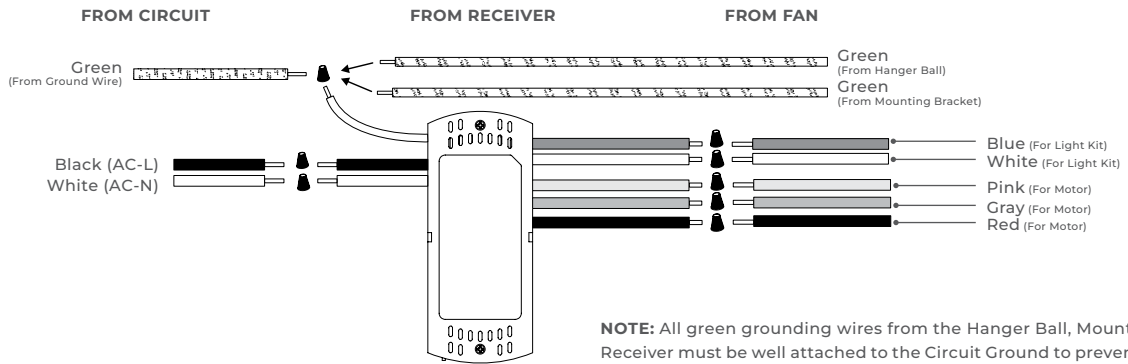


Making electrical wiring connections.

Follow diagram below and make sure that all exposed wires are secured inside wire nuts.

NOTICE: Wires may vary in color. If the wires do NOT include a ground wire (green) to prevent flickering, this unit must be grounded to the circuit's ground wire. Please consult an electrician.

After wiring is completed, gently push wires into junction box with wire nuts pointing upward.

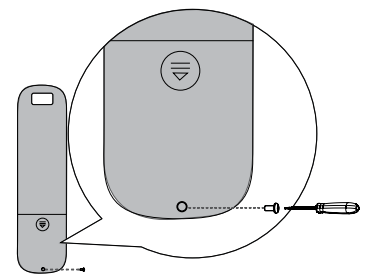
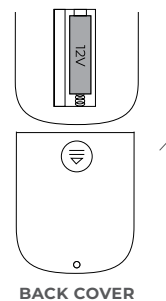
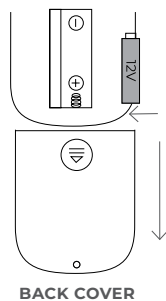
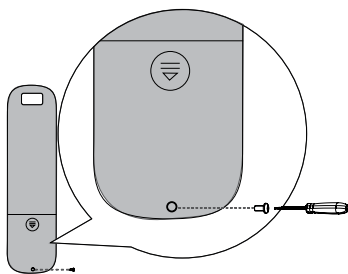


REMOTE TRANSMITTER ASSEMBLY

A) Remove the back cover by loosening the screw.

B) Install the 12V battery (included in accessory bag).

C) Reattach the back cover.

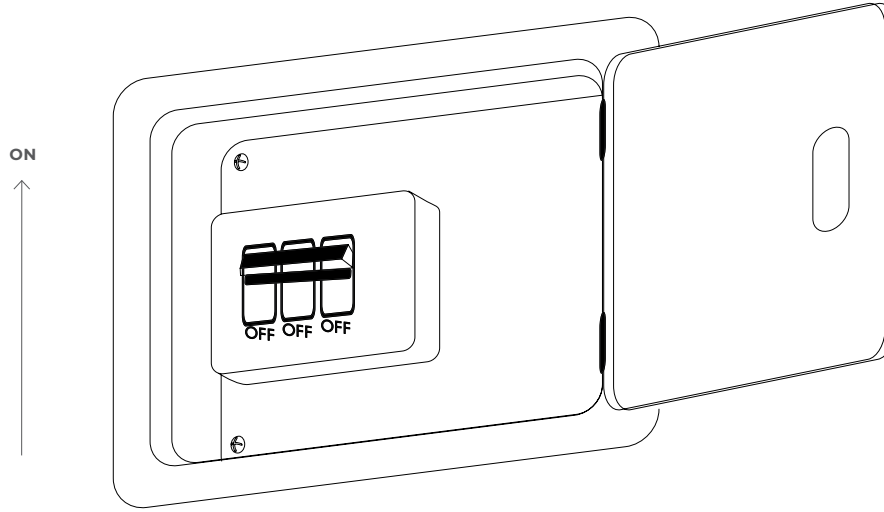


SAVE THESE INSTRUCTIONS

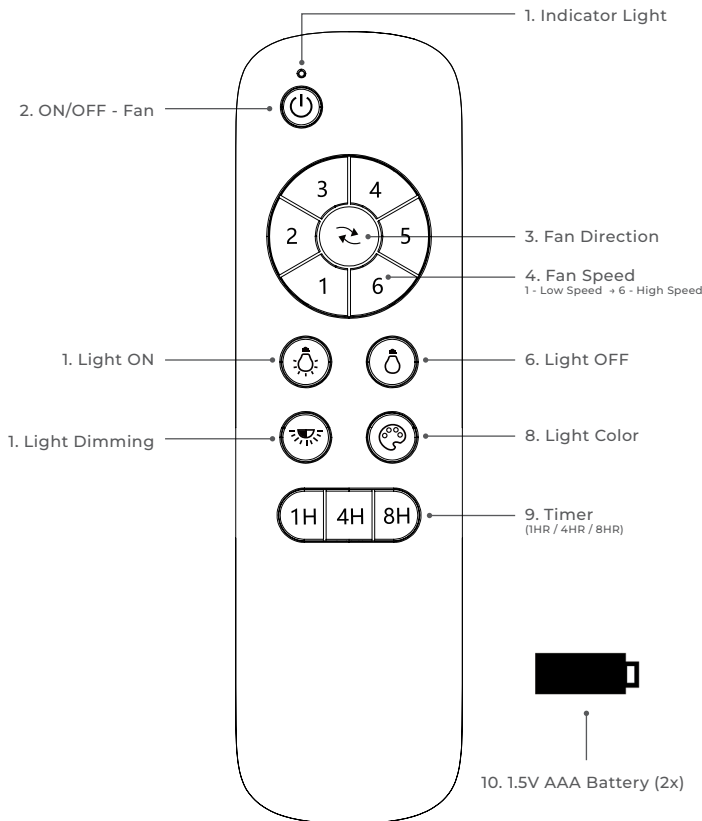


BREAKER BOX

Return power to the breaker box.



OPERATIONAL INSTRUCTIONS



All the button pressed will have a Beep sound and the red indicator light will turn on.

1. Indicator Light

2. ON/OFF - Fan Operation

Warning: Do not press the button for more than 4 seconds to avoid factory reset and pre-paired programming of receiver and transmitter.

Note: On every startup, the fan will move forward & backward for 2~3 seconds.

3. Direction of the Fan (Reverse Switch)

4. Fan Speed: 1 - Low Speed → 6 - High Speed

5. Light ON

6. Light OFF

7. Light Dimming

8. Light Color

9. Timer: (1 Hr / 4 Hr / 8 Hr)

10. 2x 1.5V AAA Battery (Included)

NOTE

1. Press button to turn the fan ON/OFF. The remote retains the last settings (fan speed and light dimming level) in memory. Switch the fan ON/OFF by main power will operate at last settings. (fan speed and lighting dimming level) in memory.

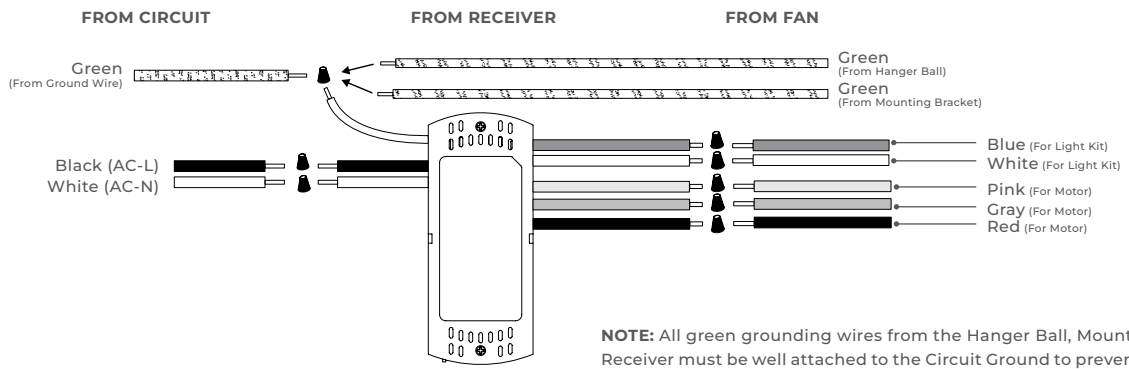
SAVE THESE INSTRUCTIONS



TROUBLESHOOTING

In the event the fan does not operate properly, please perform the following steps:

- A) Lower the canopy and check that all wires are connected properly
- B) Perform the remote pairing process (Page 9)




REMOTE PAIRING PROCESS

The pairing process is only necessary when there is an issue. The remote is pre-paired from the factory and should not require the pairing process.

A fan may need to have the pairing process performed for the following issues:

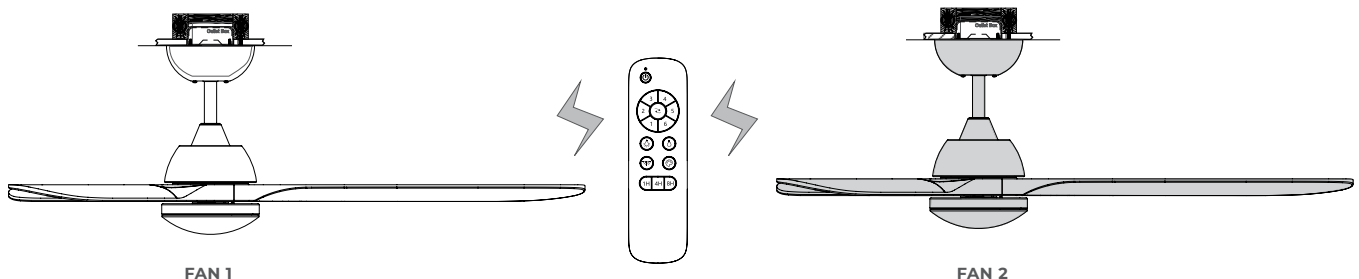
1. Replacing the remote
2. Replacing the receiver
3. Multiple fans on the same circuit
 - In a multiple fan situation, each fan must be wired up individually for the pairing process (see steps below)

PAIRING PROCESS FOR REMOTE AND RECEIVER

1. Switch off the main power at the breaker.
2. Install a new receiver or install the battery in a new remote before the pairing process
3. Switch on the main power and immediately:
 - Press and hold the  button for 8 seconds until the receiver "long beeps"
 - **This process must be done within 20 seconds of switching the main power back ON**

PAIRING PROCESS FOR MULTIPLE FANS (ONE REMOTE FOR MULTIPLE RECEIVERS)

If you wish to use only one remote for two fans, simply wire up both fans one at a time and perform the pairing process from a point between two fans.



SAVE THESE INSTRUCTIONS



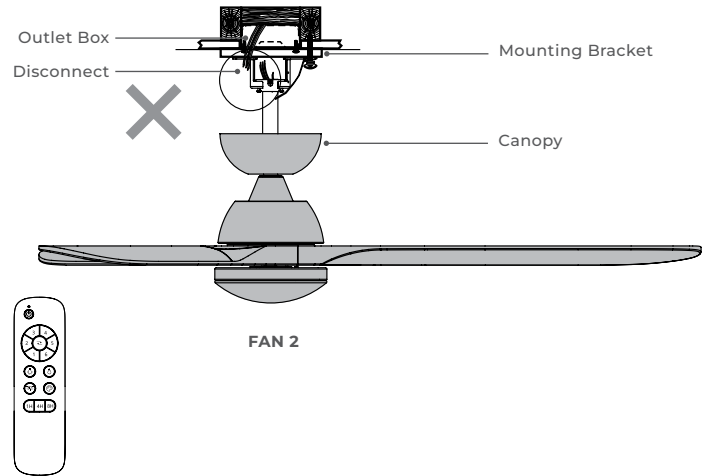
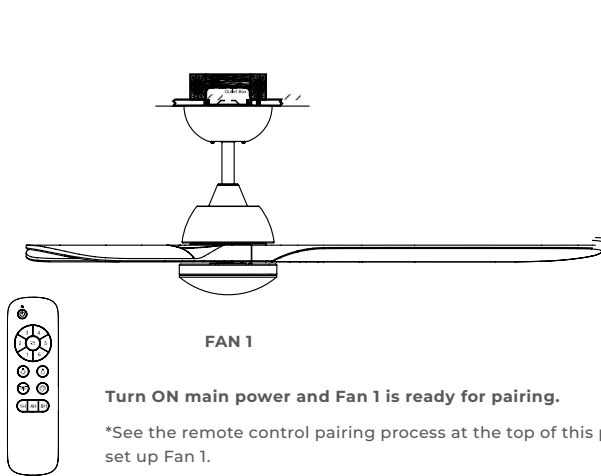
PAIRING PROCESS FOR MULTIPLE FANS (ONE REMOTE FOR ONE RECEIVER)

The pairing process must be performed on each remote set (remote and receiver) individually. See steps belows.

FAN 1 REMOTE SET UP

Switch off the main power at the breaker and disconnect the BLACK wire from Fan 2.

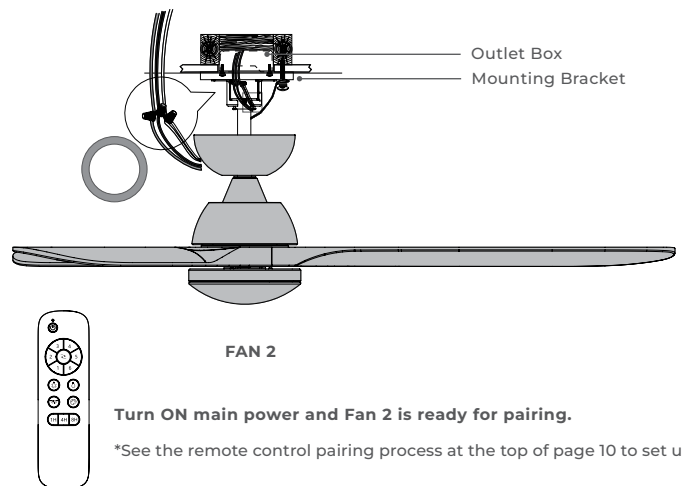
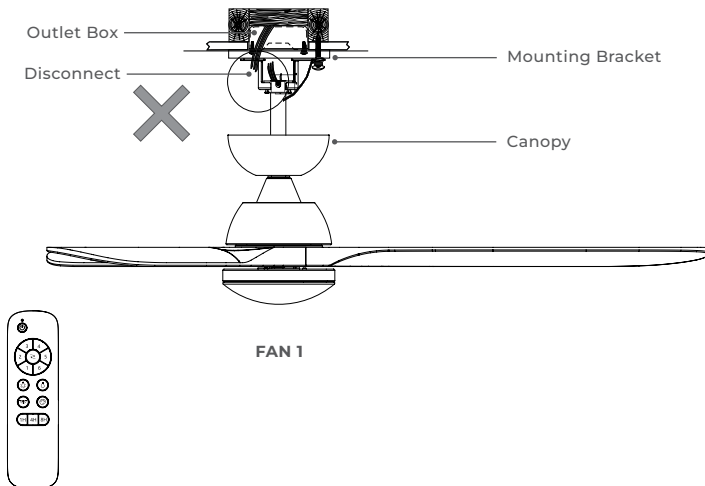
Before starting the remote control pairing process, lower the canopy of Fan 2 and disconnect the BLACK wire. Put the wire nut on the BLACK wire from the circuit.



FAN 2 REMOTE SET UP

Switch off the main power at the breaker and disconnect the BLACK wire from Fan 1.

Disconnect the BLACK wire from FAN 1 and connect the BLACK wire back to FAN 2 that was removed in the previous step.

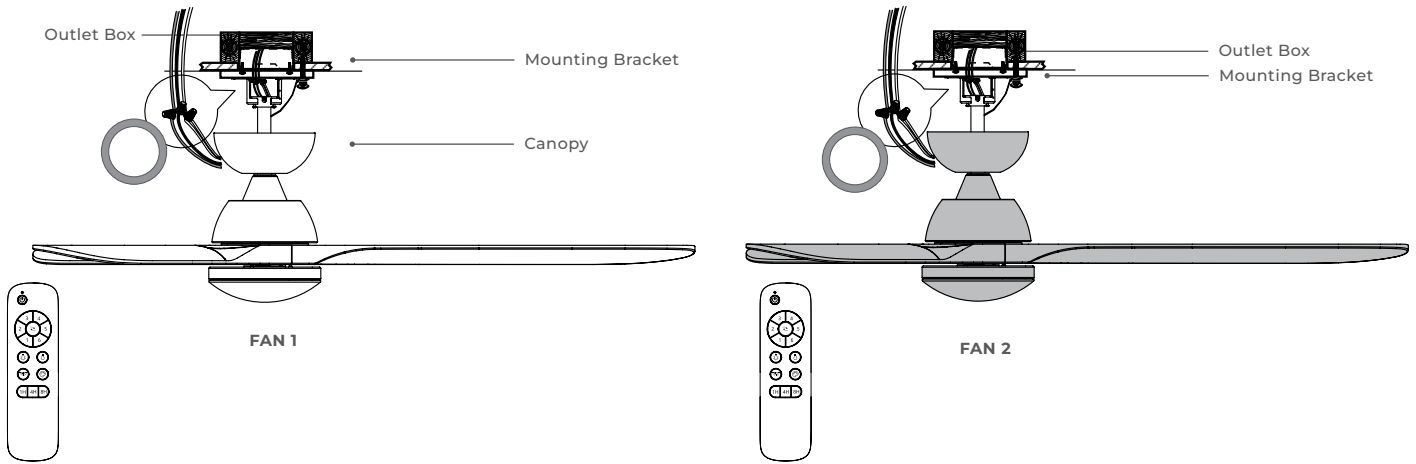


SAVE THESE INSTRUCTIONS

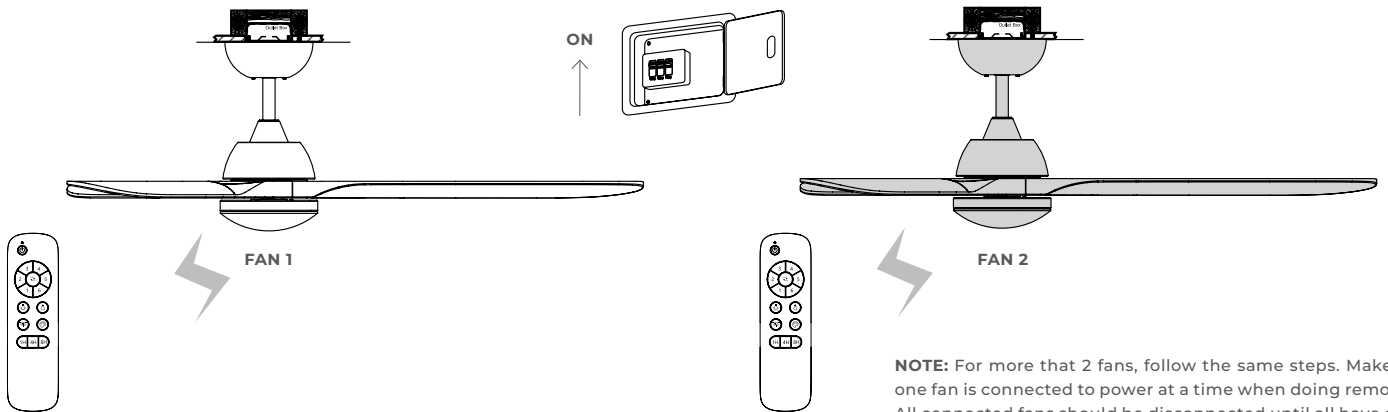


RECONNECT ALL FANS

After all the fans have completed the pairing process, reconnect all the wires for Fan 1 and Fan 2 and lift up the canopy Fan 1 and Fan 2.



Switch on the main power and now each of the fans are controlled by their own individual remote.

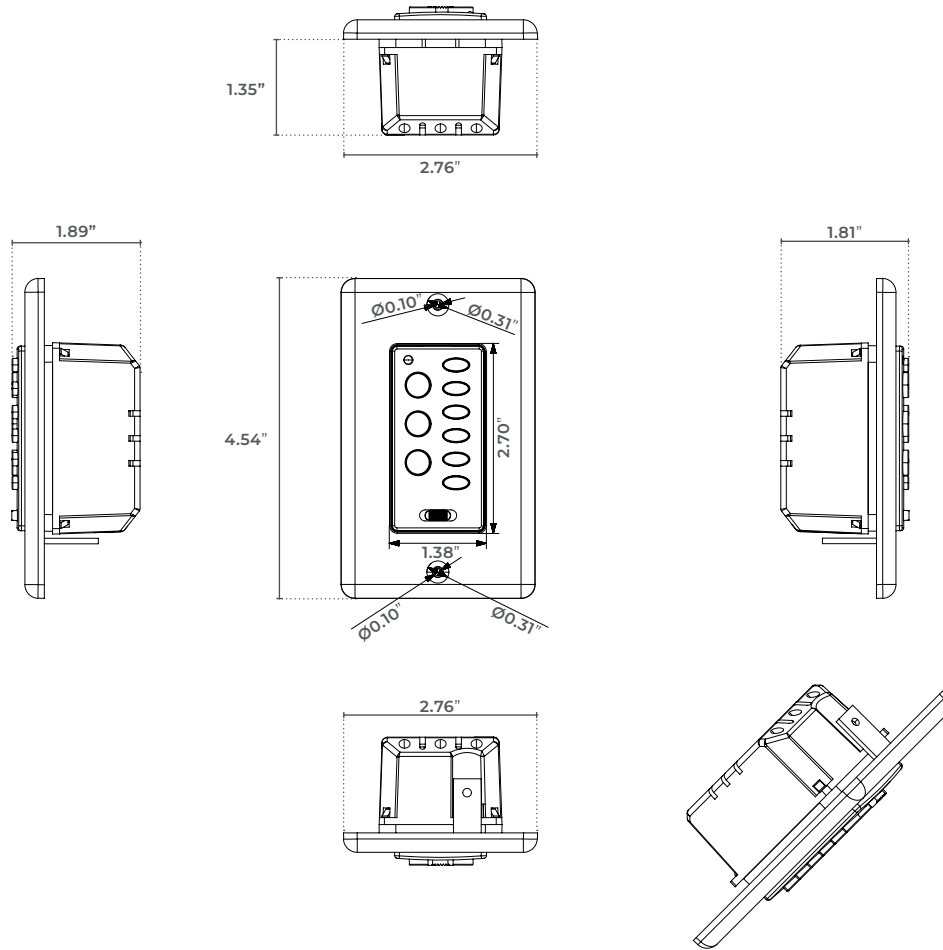


NOTE: For more that 2 fans, follow the same steps. Make sure only one fan is connected to power at a time when doing remote pairing. All connected fans should be disconnected until all have completed the remote pairing process.

SAVE THESE INSTRUCTIONS

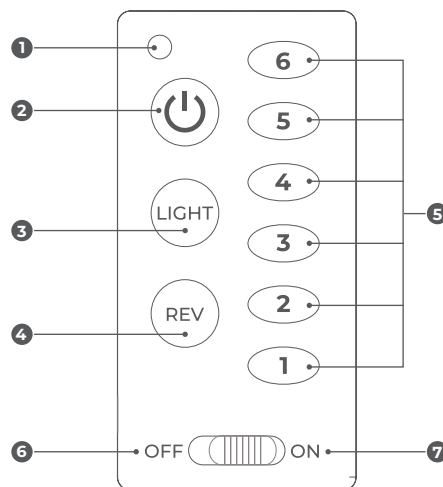


KIWI-6WC-DIM WALL CONTROL DIMENSIONS



KIWI-6WC-DIM WALL CONTROL FUNCTIONS

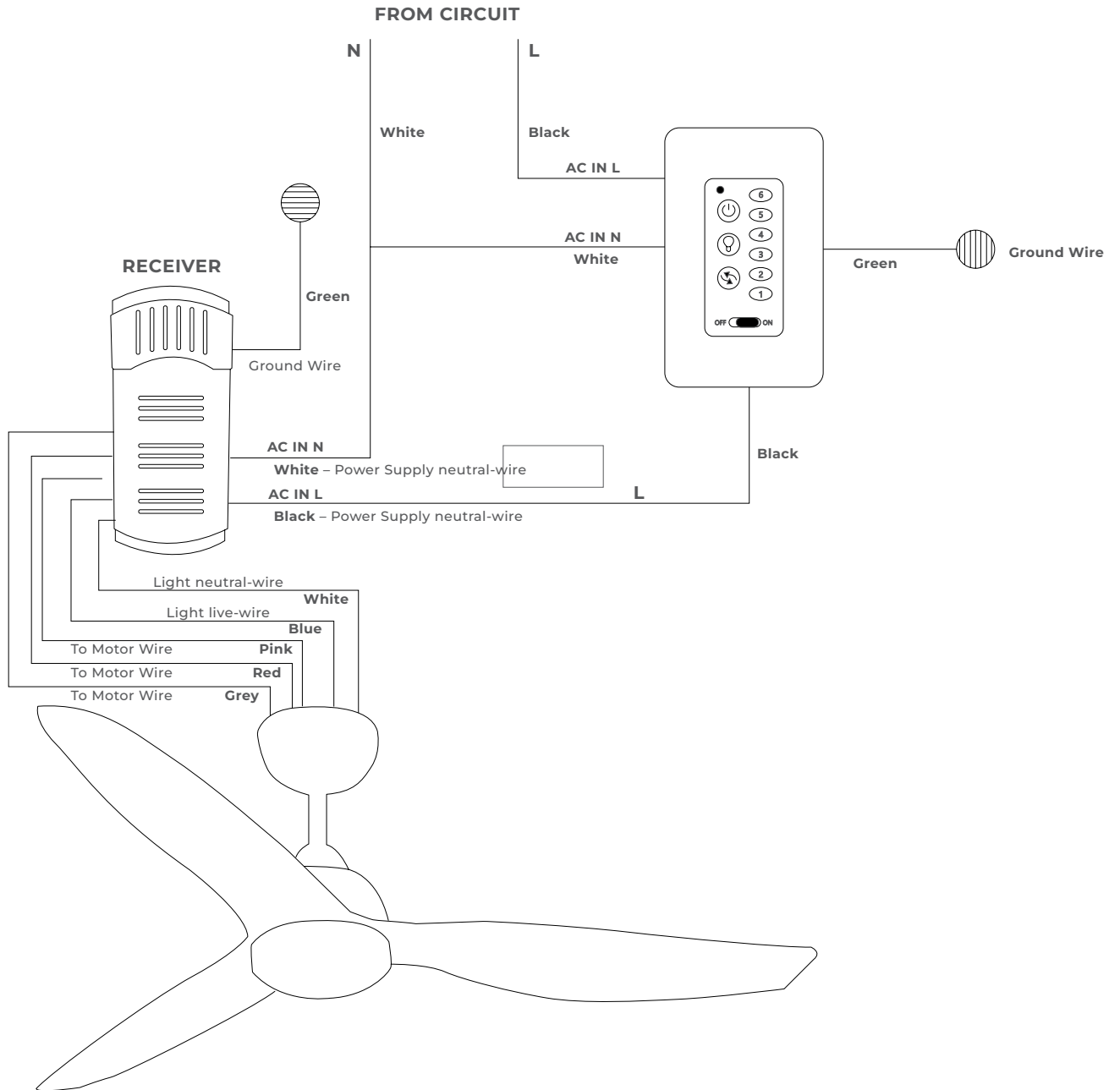
1. LED Indicator Light
2. ON/OFF for fan
3. **Short Press:** ON/OFF for light
Long Press (hold for 5 seconds): Dimmer
4. Direction of the fan (Reverse Switch)
5. Fan Speed Settings
6. OFF for power supply (fan and light)
7. ON for power supply (fan and light)



SAVE THESE INSTRUCTIONS



KIWI-6WC-DIM WALL CONTROL WIRING DIAGRAM



SAVE THESE INSTRUCTIONS

