



IMPORTANT SAFETY PRECAUTIONS

Before you begin, read these instructions completely and carefully.

- Be certain electrical power is OFF before and during installation, maintenance and removal.
- Luminaire wiring must be properly grounded in accordance with the NEC and any applicable local code requirements.
- Use only UL or IEC approved wire for input/output connections.
- Verify that supply voltage matches voltage on luminaire label. Installation to any other connection may void the warranty.
- Wear gloves during installation to prevent injury and do not expose wiring to metal or sharp edges.
- Do not install in areas subject to combustible vapors or gases. Verify luminaire location ratings are suitable for installation environment (refer to specification sheet as needed).
- Do not restrict luminaire's ventilation by covering with material that will cause luminaire to overheat and potentially shorten the life span.
- Ensure LED luminaire has the correct polarity before installation.



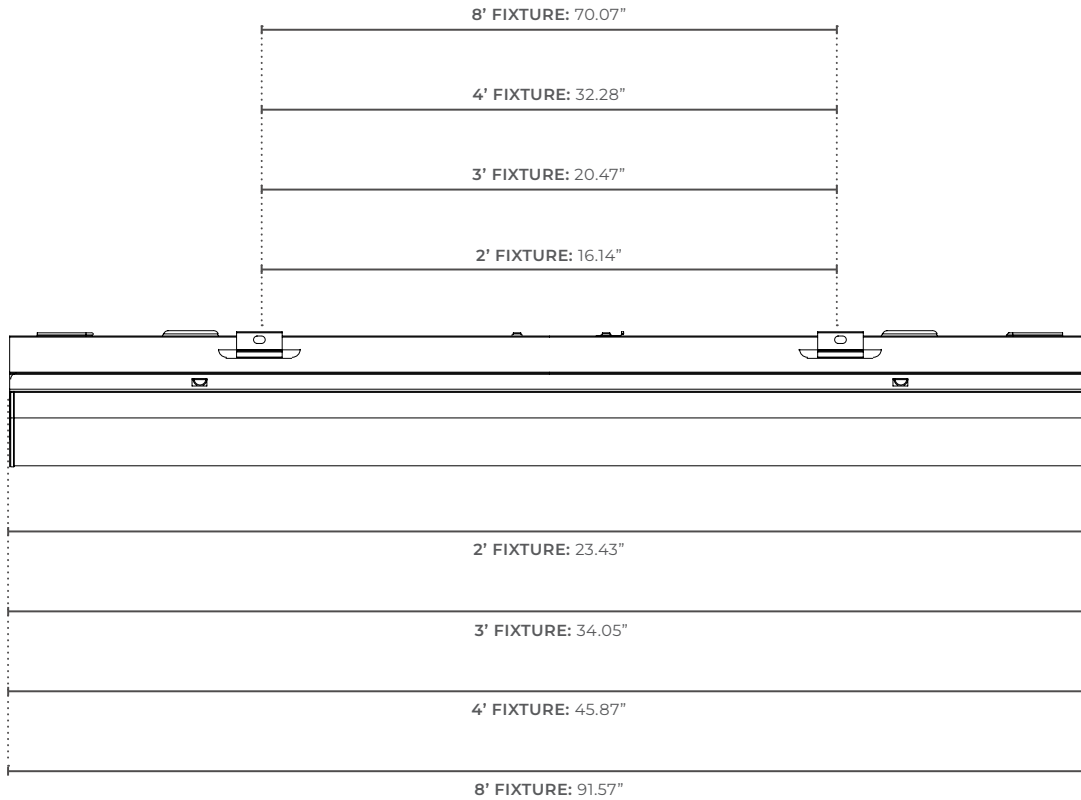
WARNING: To reduce the risk of personal injury or property damage from fire, electrical shock, falling parts, abrasions, burns and all other hazards, read all provided warnings and follow installation instructions.

This product should be installed, inspected and maintained by a qualified and licensed electrician. Installation of luminaire must be in accordance with NEC and local code requirements.

SAVE THESE INSTRUCTIONS

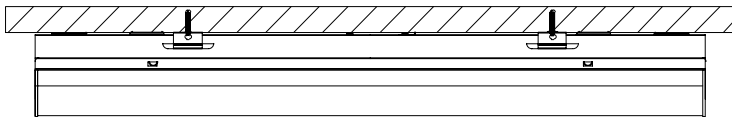


DIMENSIONS

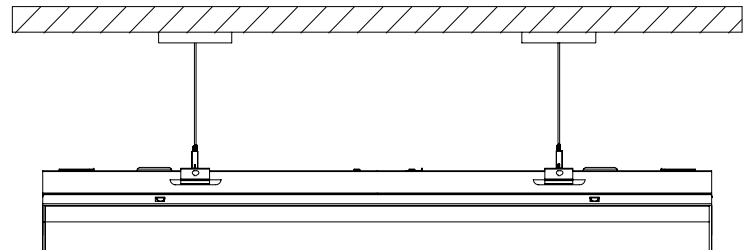


MOUNTING TYPE

Surface Mount



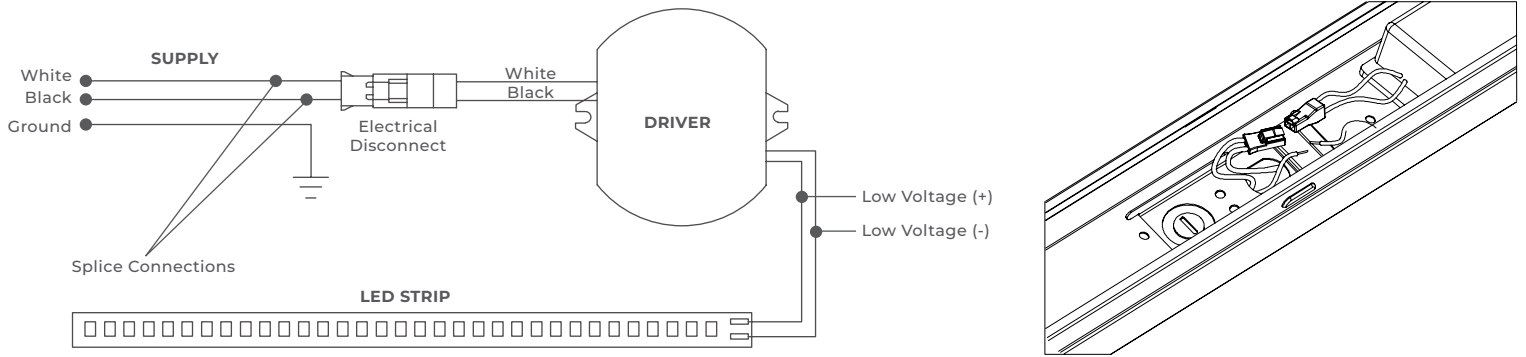
Suspended Mount



SAVE THESE INSTRUCTIONS

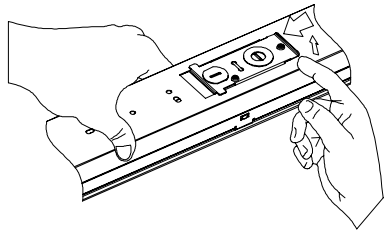


WIRING DIAGRAM

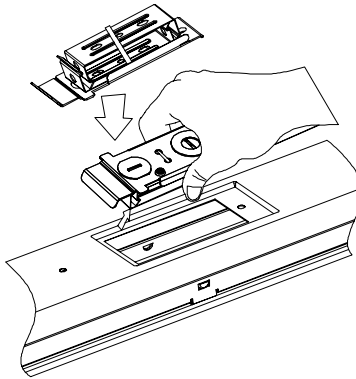


SURFACE MOUNT INSTALLATION

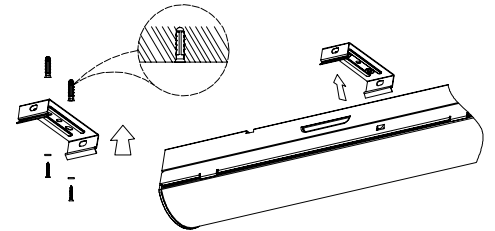
A) Remove the outlet plate to access the mounting brackets.



B) Remove the mounting brackets from underside of outlet plate.



C) Screw the mounting bracket into the ceiling with provided screws. Applying minimal pressure, snap fixture into secure mounting brackets.

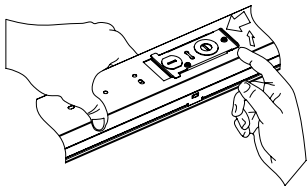


KEY

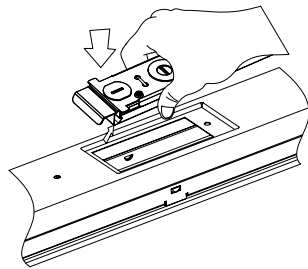


SUSPENDED MOUNT INSTALLATION

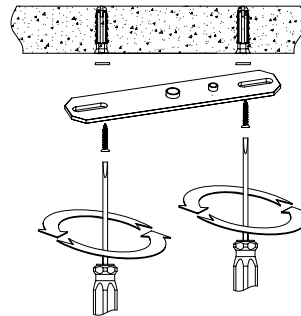
A) Remove the outlet plate to access the mounting brackets.



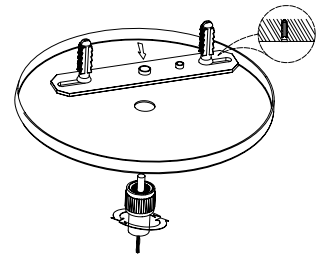
B) Remove the mounting brackets from underside of outlet plate.



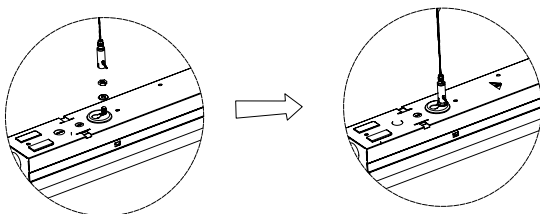
C) Screw the ceiling bracket into the ceiling.



D) Lock the canopy x2.



E) Install the aircraft cable gripper.

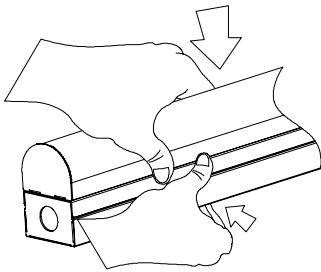


SAVE THESE INSTRUCTIONS

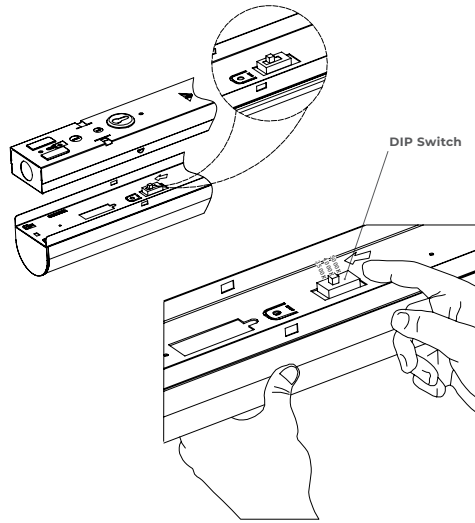


DIP SWITCH ADJUSTMENT FOR FIELD SELECTABLE CCT (DEFAULT CCT 4000K)

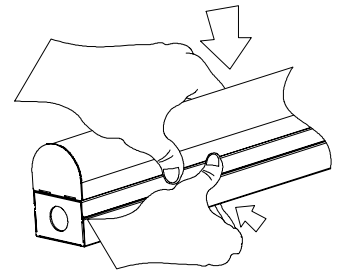
A) Remove wireway cover assembly from the housing assembly.



B) Use the hard to adjust CCT in Dip Switch if needed. Standard CCT: 4000K

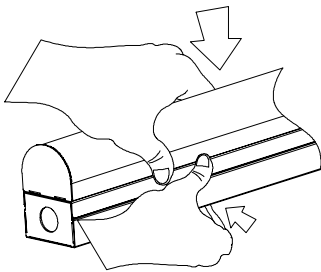


C) Reattached wireway cover assembly to the housing assembly.

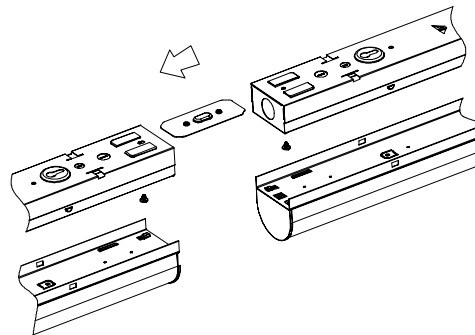


CONNECTING MULTIPLE FIXTURES IN TANDEM

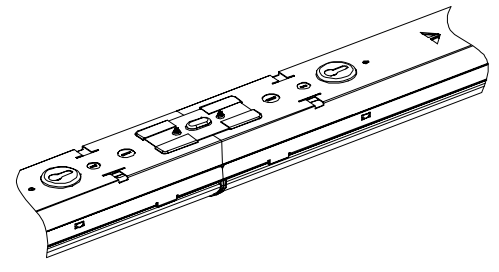
A) Remove wireway cover assembly from the housing assembly.



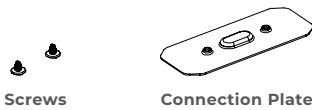
B) Affix the connection plate to the housing assemblies using provided screws.



C) Reattach wireway cover assembly to the housing assembly.

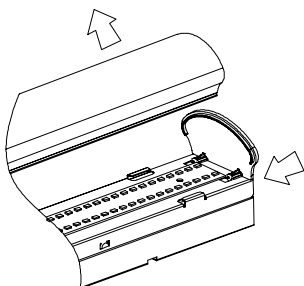


KEY

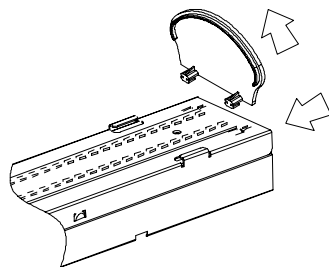


LENS & END CAP REPLACEMENT (IF NECESSARY)

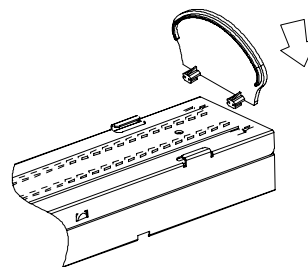
A) Take off the lens, push the end cap toward the LED strip.



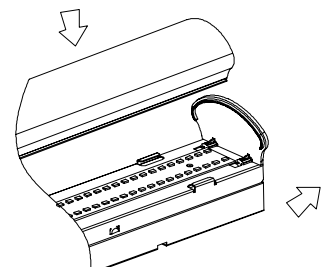
B) Lift up the end cap.



C) Replace the end cap with new end cap.



D) Replace the lens on the fixture.



SAVE THESE INSTRUCTIONS



BI-LEVEL SENSOR

Utilizing Field and Introduction

BR1810-B-M4 is a moving object sensor that can detect range of 360° and its working frequency is 5.8GHz. The advantage of this product's stable working state (stable working temperature: -40°C- 70° C), BR1810-B-M4 adopts a microwave sensor (high-frequency output <0.2mW), so that it is safe and performs better than infrared sensor.

Function and Options

For Tri-Level dimming control for the same areas, the light requires a change notice before switching off.

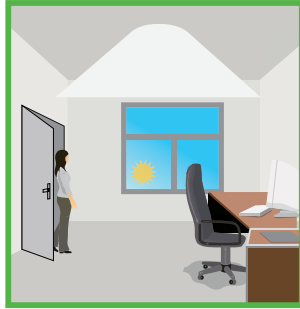
Tri-Level Light Control: 100% dimming light (0,10%,30%,50%) off; and two periods of selectable waiting time: motion hold-time and stand-by time. Selectable daylight threshold and choice of detection area.

Parameter Setting by DIP Switch

Consider the picture: 1, 2 set sensitivity; 3, 4 set hold time; 5, 6 set the lux; 7, 8 stand-by light level; 9, 10 set stand-by time



The light will not switch on when natural light is present, even if there is motion detected.



The light will switch on automatically when natural light is present.



The light output will regulate according to the level of natural light present.



The light will dim to a stand-by after hold-time and stays on selected minimum dimming levels.



The light will switch off completely during the stand-by period.



WARNING NOTES:

- ¹ Warm up time is 15 seconds. After the first time the sensor connects, the light will stay on for 15 seconds. It will then begin to dim normally.
- ² Factory Default Settings: 100% Sensitivity / Hold Time: 10 seconds / Daylight Sensor: 30lux / Dimming Level: 30% / Dimming Time: 60 minutes
- ³ On/Off LED light sensor will confirm settings changed by DIP Switch or remote control.

SAVE THESE INSTRUCTIONS

