



IMPORTANT SAFETY PRECAUTIONS

Before you begin, read these instructions completely and carefully.

- Be certain electrical power is OFF before and during installation, maintenance and removal.
- Luminaire wiring must be properly grounded in accordance with the NEC and any applicable local code requirements.
- Use only UL or IEC approved wire for input/output connections.
- Verify that supply voltage matches voltage on luminaire label. Installation to any other connection may void the warranty.
- Wear gloves during installation to prevent injury and do not expose wiring to metal or sharp edges.
- Do not install in areas subject to combustible vapors or gases. Verify luminaire location ratings are suitable for installation environment (refer to specification sheet as needed).
- Do not restrict luminaire's ventilation by covering with material that will cause luminaire to overheat and potentially shorten the life span.
- Ensure LED luminaire has the correct polarity before installation.



WARNING: To reduce the risk of personal injury or property damage from fire, electrical shock, falling parts, abrasions, burns and all other hazards, read all provided warnings and follow installation instructions.

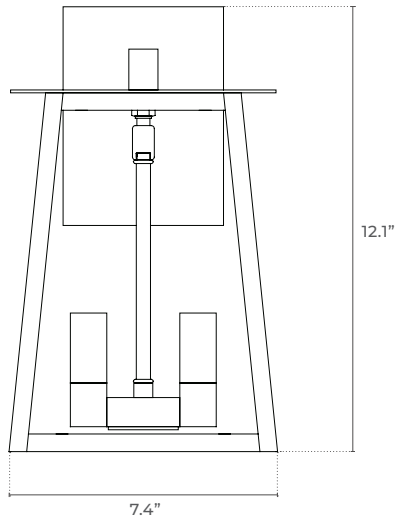
This product should be installed, inspected and maintained by a qualified and licensed electrician. Installation of luminaire must be in accordance with NEC and local code requirements.

SAVE THESE INSTRUCTIONS

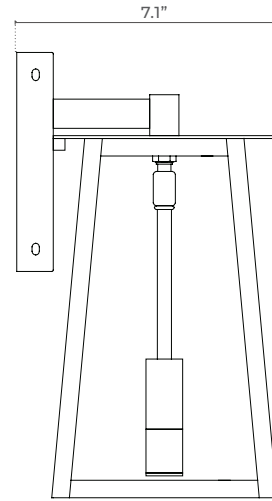


DIMENSIONS

Front View



Side View



TOOLS REQUIRED



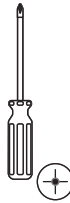
Ladder



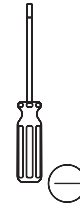
Safety Glasses



Electrical Tape



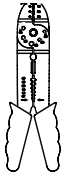
Philips Screwdriver



Flat Blade Screwdriver



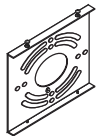
Pliers



Wire Strippers

HARDWARE INCLUDED

NOTE: Hardware not shown to actual size.



AA



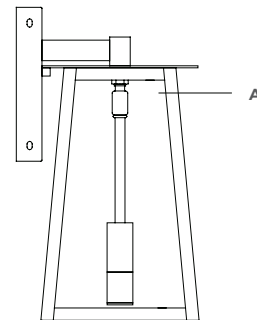
BB



CC

PART	PART DESCRIPTION	QTY
AA	Mounting Unit	1
BB	Mounting Screw	2
CC	Wire Nut	3
DD	Washer	2
EE	Cap Nut	2

PACKAGE CONTENTS



PART	PART DESCRIPTION	QTY
A	Light Fixture	1

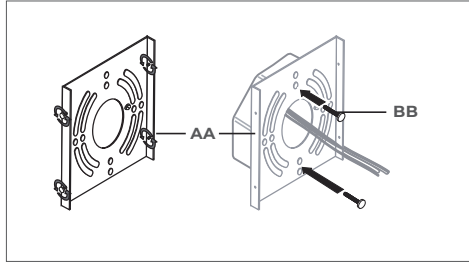
SAVE THESE INSTRUCTIONS



INSTALLATION INSTRUCTIONS

1) Attaching the Mounting Unit to the Outlet Box

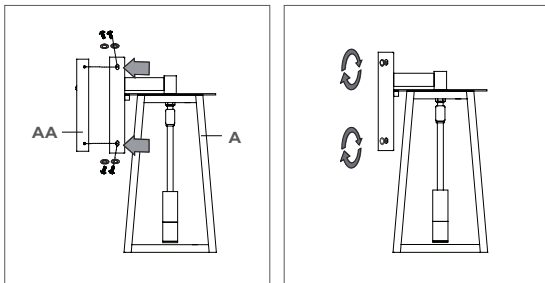
- Remove the four pre-assembled screws and washers from the mounting unit (AA).
- Attach the mounting unit (AA) to the junction box (not included) with mounting screws (BB).



3) Securing the Light Fixture

- After wires are connected, tuck them carefully inside the outlet box.
- Secure the light fixture (A) to the junction box by placing the mounting unit (AA) over the preinstalled support screws on the mounting unit (AA).
- Secure the light fixture with four previously-removed screws and washers.

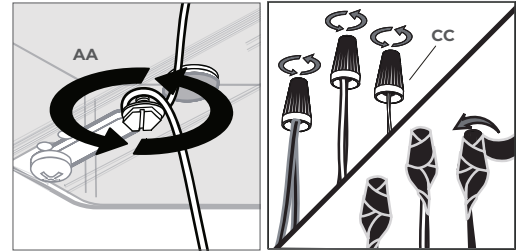
WARNING: To avoid any waterproofing problems, make sure the light fixture fits the mounting surface perfectly during installation and use waterproof glue (not included) around the canopy for better sealing after installation.



2) Making the Electrical Connections

- Connect the copper wire from the fixture body (A) to the mounting unit (AA) by securing it with the pre-installed ground screw.
- Connect the black wire from the fixture to the black wire from the outlet box, the white wire from the fixture to the white wire from the outlet box, and the copper wire from the fixture to the ground wire from the outlet box with the wire nuts (CC). Secure with electrical tape (not included).

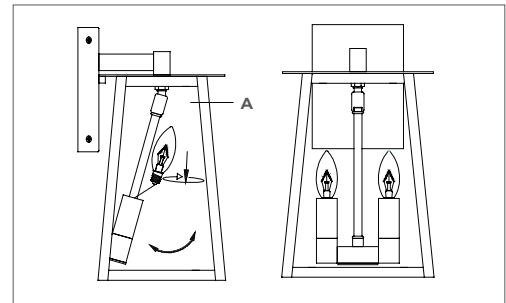
NOTE: If the wires from the fixture are the same color, attach the side with markings or letters to the black (positive) wire and the other to the white (neutral) wire.



4) Installing the Bulbs

- Install two 60-watt max. E12 Candelabra bulbs (not included).

NOTE: Tenderly move the bulb holder of the lamp fixture (A) backward to install the bulbs. After installing, move it back.



OPERATION

1) Turning the Light On

- Turn the light switch on to activate the fixture.

CARE AND CLEANING

- Clean the lamp with a soft, dry cloth.
- Do not use any cleaners with chemicals, solvents, or harsh abrasives.

TROUBLESHOOTING

PROBLEM	POSSIBLE CAUSE	SOLUTION
The bulb will not light.	The bulb is burned out.	Replace the light bulb
	The power is off.	Ensure the power supply is On.
	There's a faulty wire connection.	Check the wiring.
	The circuit breaker is off.	Ensure the circuit breaker is in the On position.
The fuse blows or circuit breaker trips when the light is turned on.	There are crossed wires or the power wire is grounding out.	Check the wire connections. Contact a qualified electrician or call the Customer Service Team.

SAVE THESE INSTRUCTIONS

