



IMPORTANT SAFETY PRECAUTIONS

Before you begin, read these instructions completely and carefully.

- Be certain electrical power is OFF before and during installation, maintenance and removal.
- Fan wiring must be properly grounded in accordance with the NEC and any applicable local code requirements.
- Use only UL or IEC approved wire for input/output connections.
- Verify that supply voltage matches voltage on fan label. Installation to any other connection may void the warranty.
- Wear gloves during installation to prevent injury and do not expose wiring to metal or sharp edges.



WARNING: To reduce the risk of fire, electrical shock, or personal injury, mount this fan to an outlet box marked "Acceptable for Fan Support of 22.7kg (50lbs)" or less and use Mounting Screws provided with the outlet box. CAUTION: Install the primary mounting means and use only the hardware provided with the fan.

To reduce the risk of personal injury, do not bend the blade brackets when installing the brackets, balancing the blades or clearing the fan. Be careful not to insert foreign objects in between rotating fan blades.

To reduce the risk of fire or electrical shock, do not use this fan with any solid-state speed control device.



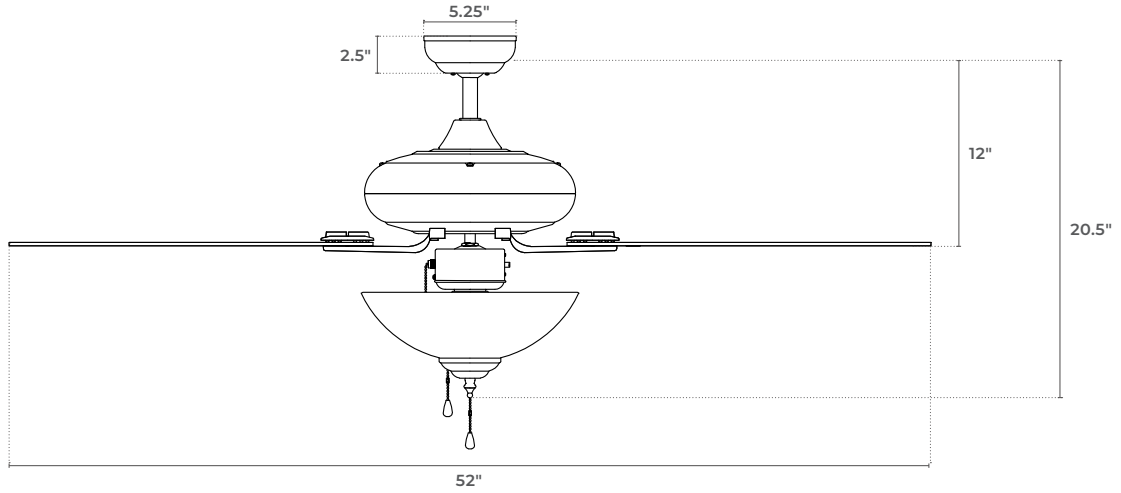
The important safeguards and instructions appearing in this manual are not meant to cover all possible conditions and situations that may occur. It must be understood that common sense, caution and careful attention to detail are factors which cannot be built into this product. These factors must be supplied by the person or persons installing, caring for, and operating the unit.

This product should be installed, inspected and maintained by a qualified and licensed electrician. Installation of luminaire must be in accordance with NEC and local code requirements.

SAVE THESE INSTRUCTIONS

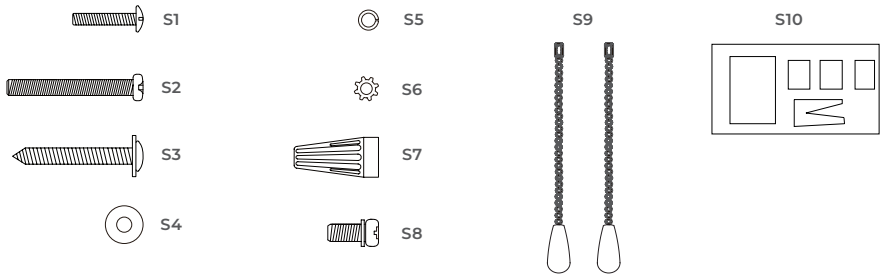


DIMENSIONS



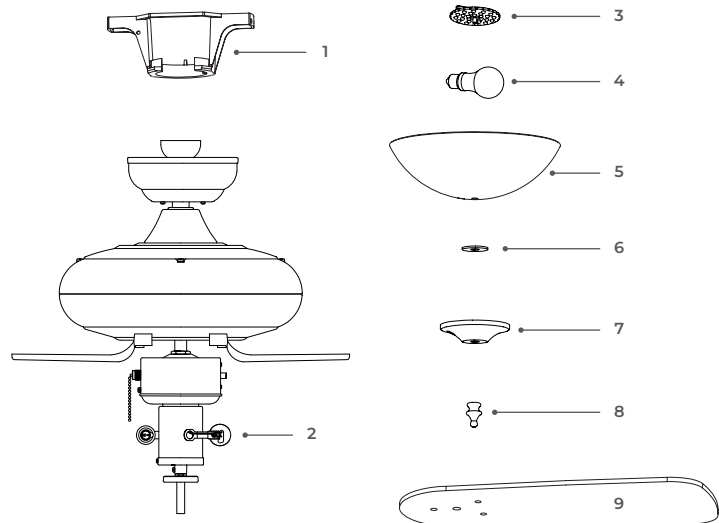
HARDWARE PARTS INCLUDED

PART NO.	PART DESCRIPTION	QTY
S1	Machine Screws	2
S2	Machine Screws	2
S3	Wood Screws	2
S4	Washers	2
S5	Lock Washers	2
S6	Star Washers	2
S7	Wire Nuts	3
S8	Bracket Screw	1
S9	Pull Chains	2
S10	Balance Kit	1



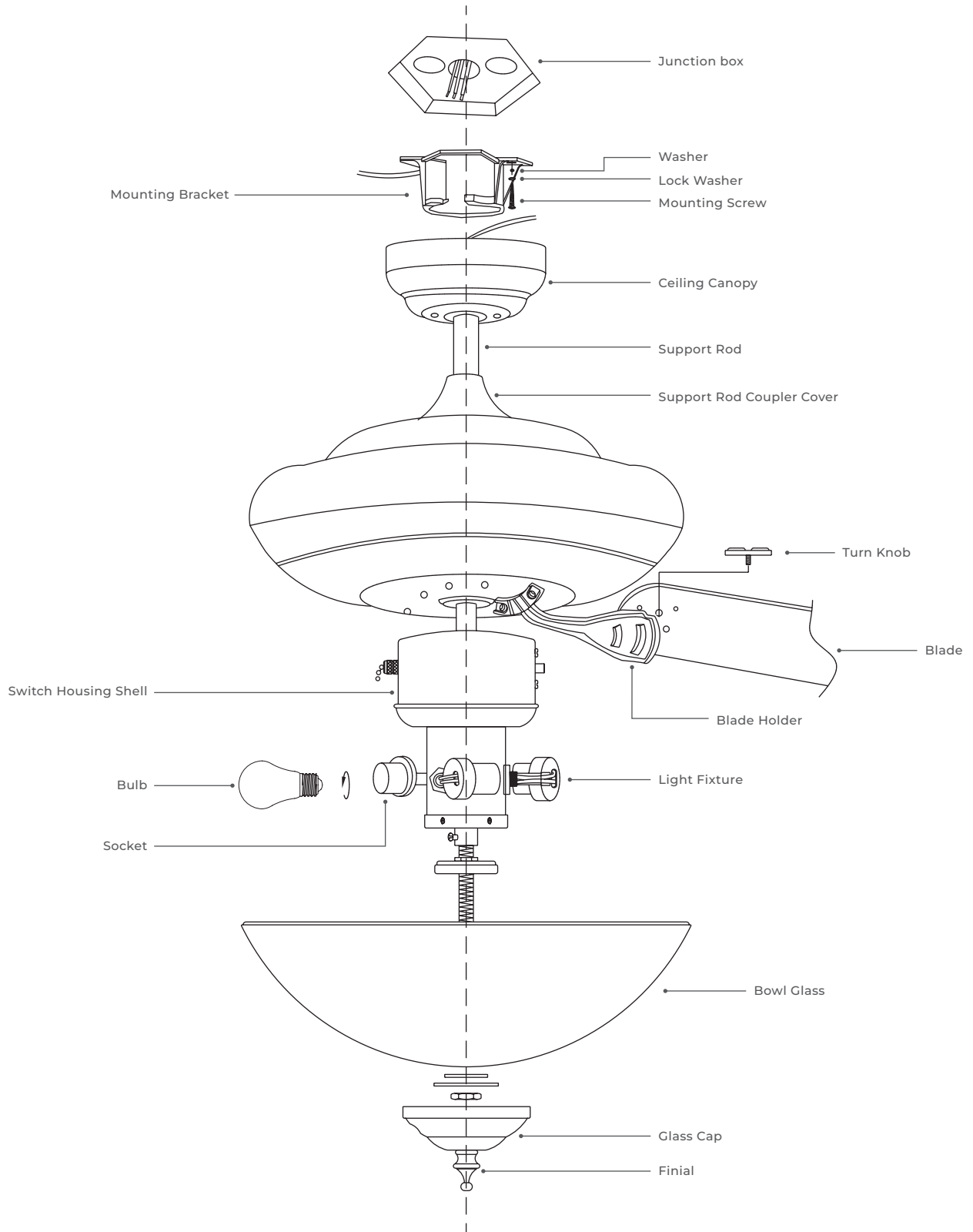
FAN PARTS INCLUDED

PART NO.	PART DESCRIPTION	QTY
1	Mounting Bracket	1
2	Support Rod & Cotter Pin	1
	Canopy	1
	Coupler Cover	1
	Fan Motor Assembly	1
	Blade Arm	5
	Light Kit	1
3	Turn Knob	5
4	Bulb	3
5	Glass	1
6	Rubber Washers	1
7	Glass Cap	1
8	Caudal	1
9	Fan Blade	5



SAVE THESE INSTRUCTIONS





SAVE THESE INSTRUCTIONS



SUPPORT ROD ASSEMBLY

Note: If support rod is already assembled in the box, skip this step.

1) Loosen the set screws in the support rod coupler until the inside of the channel is clear of the screw tip. Remove and save the safety pin and washer on the end of the support rod.

2) Slide the canopy onto the support rod, followed by the support rod coupler cover (Fig1). Feed electrical wires from the fan housing through the support rod.

3) Thread the support rod into the support rod coupler until the safety pin can be inserted through the hole in both the rod and coupler. Insert the safety pin through the hole in the support rod coupler and support rod, then attach washer onto safety pin and the retaining clip on the other side. Tighten both set screws and safety screw onto the support rod coupler.

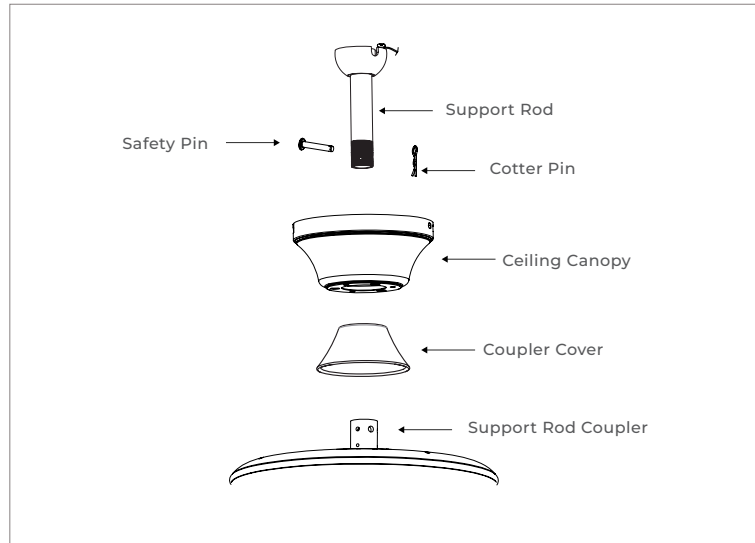


FIGURE 1

MOUNTING BRACKET INSTALLATION

1) Install the mounting bracket onto the j-box located in the ceiling using two machine screws, two washers, and two lock washers (Fig 2)

2) The mounting bracket has slotted holes to enable it to move sideways for proper alignment. Ensure the mounting bracket is centered over the j-box and that it is securely attached (Fig 3)

Note: Mounting bracket should be secure with no movement between the bracket and the j-box.

3) Feed the electrical wires in the j-box through the mounting bracket.

4) Loosen the two canopy mounting screws on the downside face of the mounting bracket. Back them out halfway. This will allow for easier installation of the ceiling canopy later (Fig 4).

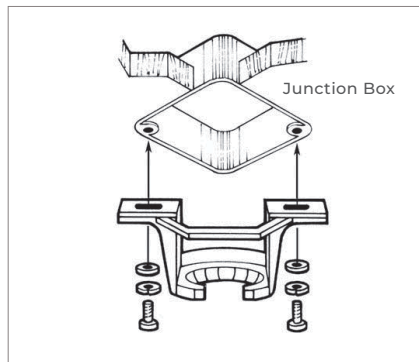


FIGURE 2

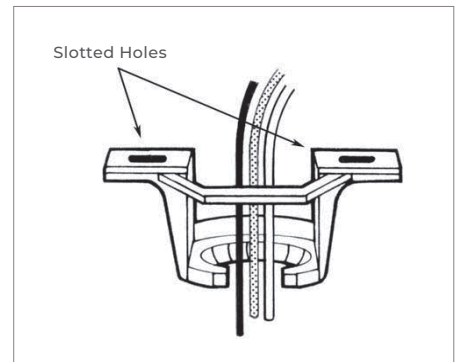


FIGURE 3

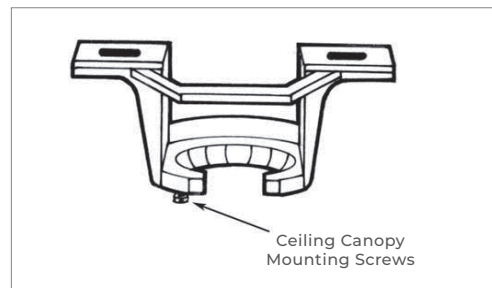


FIGURE 4

SAVE THESE INSTRUCTIONS



HANGING THE FAN BODY

* Take note that the ball hanger on the end of the support rod is grooved on one side (Fig 5). This is meant to align with the keyway pin on the mounting bracket and prevents the ceiling fan from spinning on the mounting bracket.

- 1) Using your step ladder, lift the fan and place the ball hanger in the center of the mounting bracket with the keyway pin inserted into the groove on the ball hanger. Turn the fan left and right to ensure it is seated on the bracket with the pin in the groove.
- 2) Trim the lead wires, leaving about 6 inches of wire extending from the support rod (Fig 7)

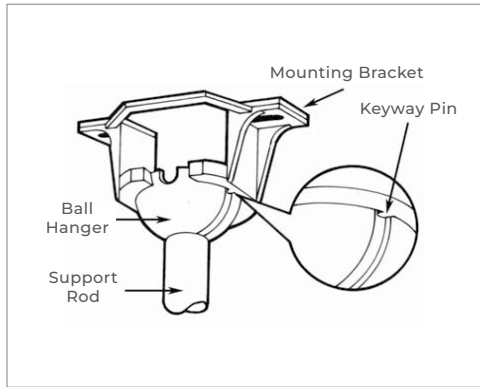


FIGURE 5

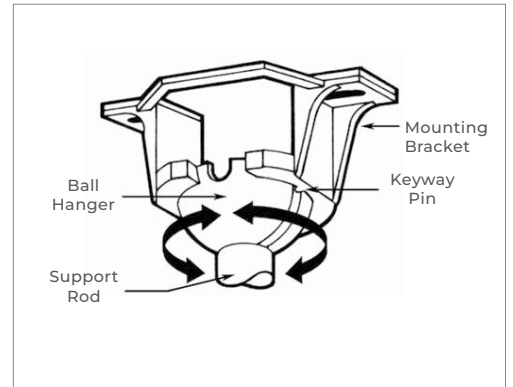


FIGURE 6

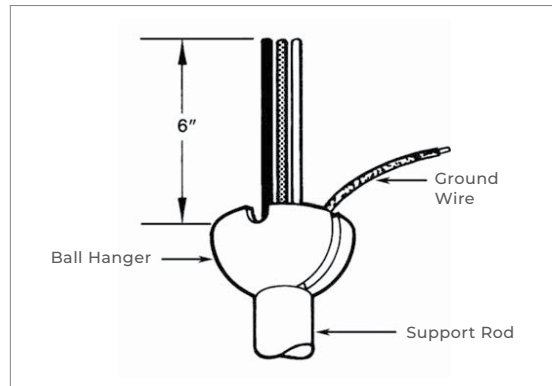


FIGURE 7

MAKING THE ELECTRICAL CONNECTIONS

- 1) Make electrical connections from fixture wires to j-box wires.
- 2) Once connected, hide connections in the j-box.

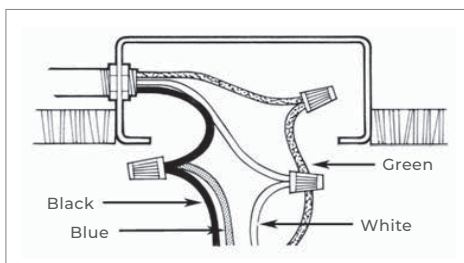


FIGURE 8-1

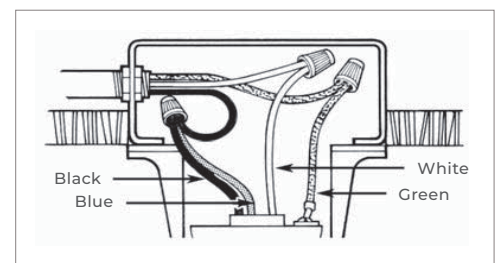


FIGURE 8-2

SAVE THESE INSTRUCTIONS



SECURING THE CANOPY

Slide the ceiling canopy into place over the mounting bracket. The two screws on the bottom of the mounting bracket face should slip through the key hole slots in the canopy. Turn the canopy slightly and tighten both screws (Fig 9).

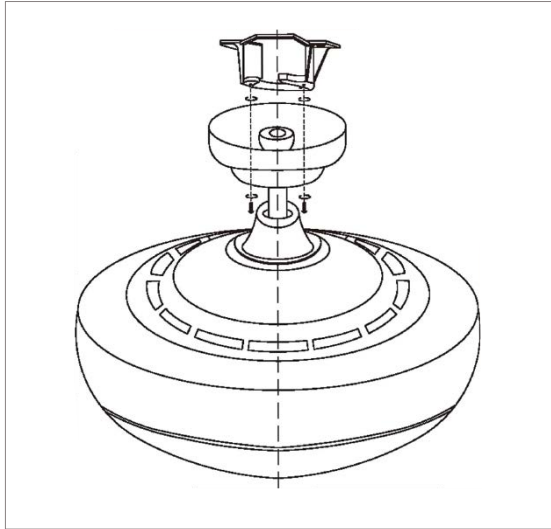


FIGURE 9

BLADE AND BLADE ARM ASSEMBLY

Attach each fan blade to blade arm with turn knob (Fig 10). Take care not to bend the blade arms during installation.

If applicable, attach blade arms to motor using provided screws.

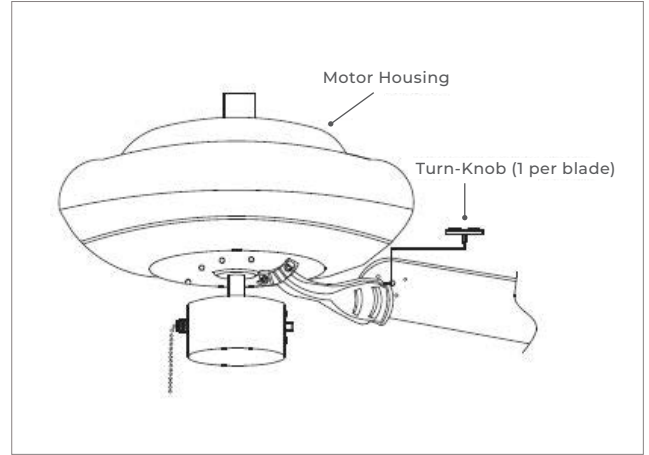


FIGURE 10

LIGHT KIT INSTALLATION

If applicable, remove switch housing cover and attached light kit. Make wiring connections.

- 1) Attach switch housing plate to switch housing shell using supplied screws and secure (Fig 11).
- 2) Install medium base LED bulbs into sockets. Slide glass shade over the threaded nipple, followed by the cap and finial. Twist finial clockwise until secure.
- 3) Lower chain through the hold in the shade and cap. Attach chain extensions (Fig 12)

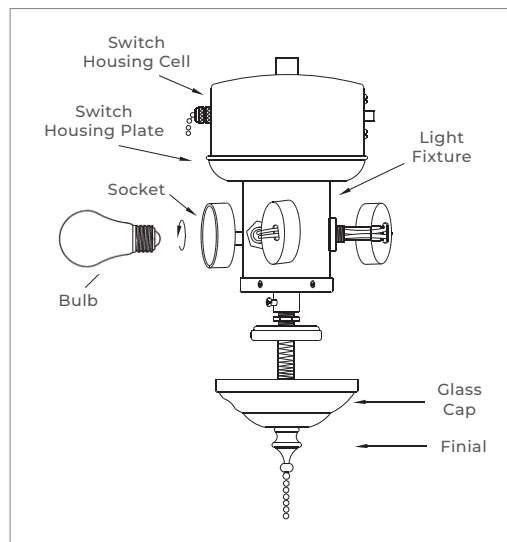


FIGURE 11

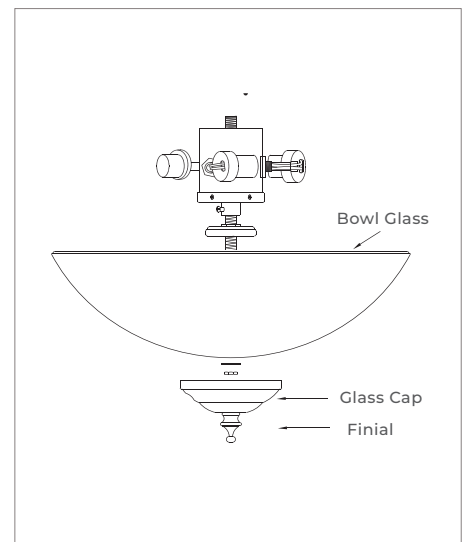


FIGURE 12

SAVE THESE INSTRUCTIONS



MAINTENANCE

Your fan requires very little maintenance. Cleaning of the housing should be done with a damp soft cloth (NO CLEANING AGENTS). On the blades, use a duster or dry cloth as moisture could cause the blades to warp.

OPERATION

The pull chain located on the switch housing controls the speed of your fan. When the fan is OFF, pull the chain once for HIGH speed, twice for MEDIUM speed, three times for LOW speed and a fourth time to turn it off again.

Turn fan completely off before moving the reverse switch. Set reverse switch to recirculate air depending on the season: UP position in winter (1), DOWN position in summer (2). **IMPORTANT:** If the reverse switch is set in the (3) middle position the fan will not operate. Attach the pull chain extensions supplied to ends of the pull chains.

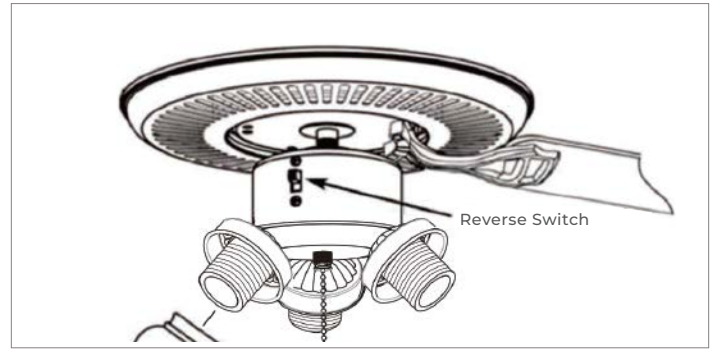
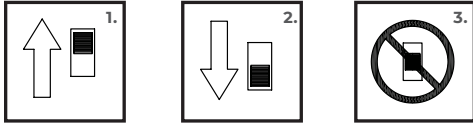


FIGURE 13

OPTIONAL WIRING DIAGRAMS

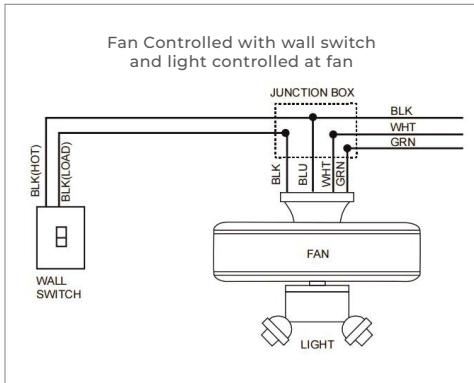


FIGURE 14

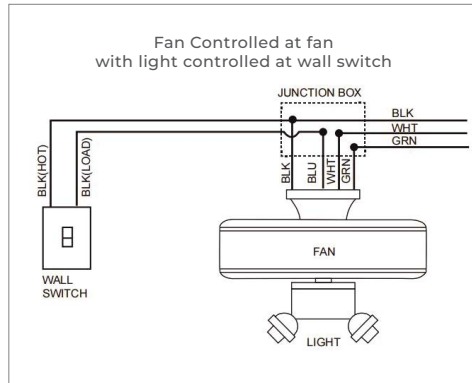


FIGURE 15

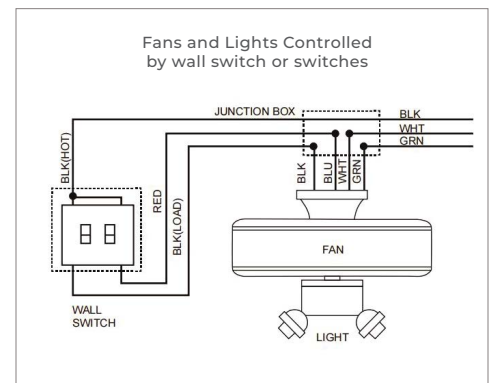


FIGURE 16

SAVE THESE INSTRUCTIONS

