



IMPORTANT SAFETY PRECAUTIONS

Before you begin, read these instructions completely and carefully.

- Be certain electrical power is OFF before and during installation, maintenance and removal.
- Luminaire wiring must be properly grounded in accordance with the NEC and any applicable local code requirements.
- Use only UL or IEC approved wire for input/output connections.
- Verify that supply voltage matches voltage on luminaire label. Installation to any other connection may void the warranty.
- Wear gloves during installation to prevent injury and do not expose wiring to metal or sharp edges.
- Do not install in areas subject to combustible vapors or gases. Verify luminaire location ratings are suitable for installation environment (refer to specification sheet as needed).
- Do not restrict luminaire's ventilation by covering with material that will cause luminaire to overheat and potentially shorten the life span.
- Ensure LED luminaire has the correct polarity before installation.

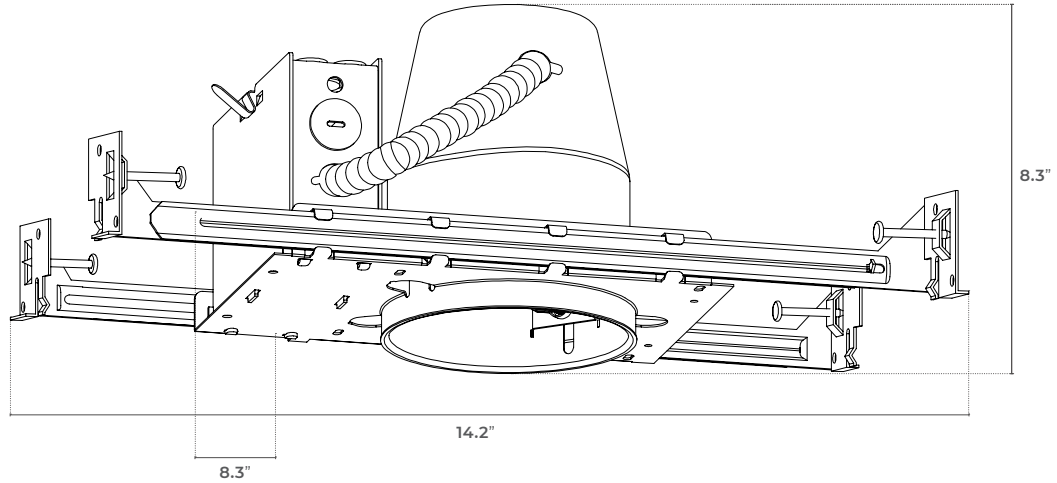


WARNING: To reduce the risk of personal injury or property damage from fire, electrical shock, falling parts, abrasions, burns and all other hazards, read all provided warnings and follow installation instructions.

This product should be installed, inspected and maintained by a qualified and licensed electrician. Installation of luminaire must be in accordance with NEC and local code requirements.

SAVE THESE INSTRUCTIONS

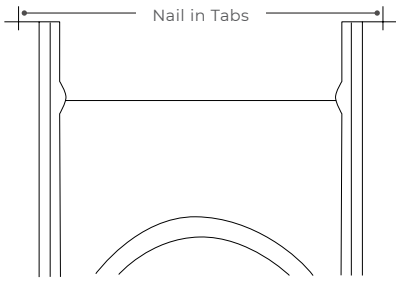
DIMENSIONS



BAR HANGER INSTALLATION

1. Insert bar hangers into the slots on the plaster frame (Figure A). Position bar hangers so that nails in the tabs point away from housing or down towards the ceiling.

FIGURE A



CEILING INSTALLATION

1. **Joist Type Ceilings:** Extend bar hangers to fit between joist and position fixture temporarily by hammering nail on bars into the joists (Figure B). Make sure hangers are level with bottom of joists and then secure with nails.
2. **Suspended T-Bar Ceilings:** Extend bar hangers 1" past T-bars then rest fixture on T-bars. Secure fixture to T-Bars with wire (Figure C).

FIGURE B

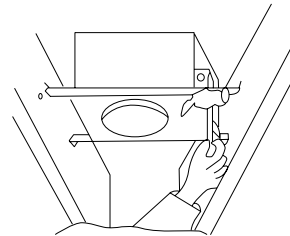
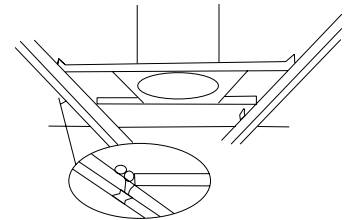


FIGURE C

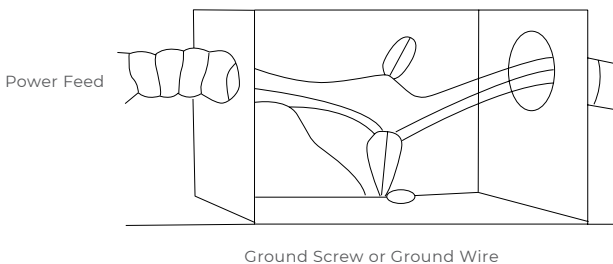


ELECTRICAL CONNECTION

1. Junction box contains two wires, a black (Hot +) and a white (Neutral -) which must be spliced to the circuit's supply feed wires. Make sure to splice White to White and Black to Black. After splicing has been completed, tuck splices carefully into junction box and replace cover (Figure D).

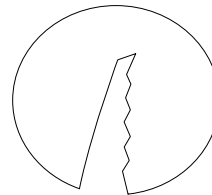
Grounding: For Romex or 3 Wire Box, flexible Armour cable installations attach supply ground lead (Green) to bars copper ground lead or ground screw in wiring box mount or mounted on plaster frame. Local electrician codes should be consulted to determine acceptable installation-conduit Romex or flexible Armour cable.

FIGURE D



CUTTING A HOLE

Use the circle template provided to measure the size of the hole required for installing the luminaire into the ceiling. See table below for hole sizes. Once hole is measured, cut with suitable tool (Figure E).



CUT-HOLE

3-Inch	3.4"
4-Inch	4.5"
5-Inch	5.7"
6-Inch	6.4"

SAVE THESE INSTRUCTIONS