



### IMPORTANT SAFETY PRECAUTIONS

**Before you begin, read these instructions completely and carefully.**

- Be certain electrical power is OFF before and during installation, maintenance and removal.
- Luminaire wiring must be properly grounded in accordance with the NEC and any applicable local code requirements.
- Use only UL or IEC approved wire for input/output connections.
- Verify that supply voltage matches voltage on luminaire label. Installation to any other connection may void the warranty.
- Wear gloves during installation to prevent injury and do not expose wiring to metal or sharp edges.
- Do not install in areas subject to combustible vapors or gases. Verify luminaire location ratings are suitable for installation environment (refer to specification sheet as needed).
- Do not restrict luminaire's ventilation by covering with material that will cause luminaire to overheat and potentially shorten the life span.
- Ensure LED luminaire has the correct polarity before installation.



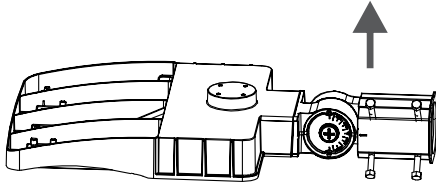
**WARNING:** To reduce the risk of personal injury or property damage from fire, electrical shock, falling parts, abrasions, burns and all other hazards, read all provided warnings and follow installation instructions.

This product should be installed, inspected and maintained by a qualified and licensed electrician. Installation of luminaire must be in accordance with NEC and local code requirements.

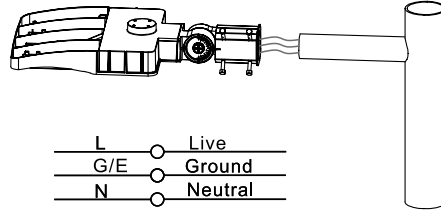
**SAVE THESE INSTRUCTIONS**

**INSTALLATION INSTRUCTIONS (SLIP FITTER)**

**A)** Loosen the mounting bracket screws.

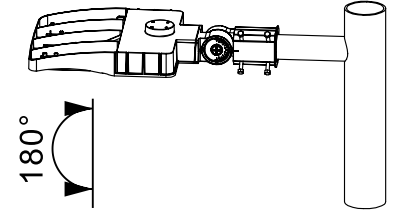


**B)** Make electrical connections: L for Live - Black, N for Neutral - White, G/E for Ground - Green.



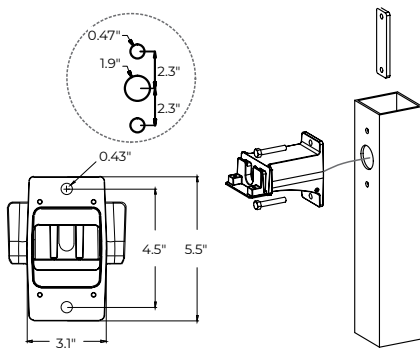
**C)** Install the luminaire slip fitter bracket onto the pole and tighten the screws. The luminaire aiming angle is adjustable.

Installation complete. 

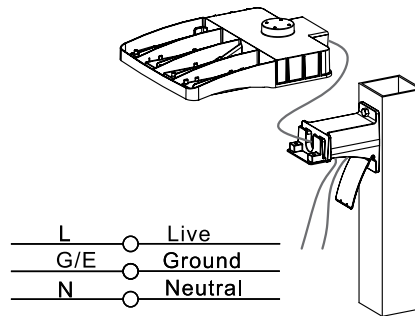


**INSTALLATION INSTRUCTIONS (SQUARE POLE MOUNT)**

**A)** Drill holes into the square pole. The drill hole template is shown below and on page 4. Remove the bracket cover and pull the supply wires through the bracket. Fasten the square pole mount bracket to the pole with provided screws.

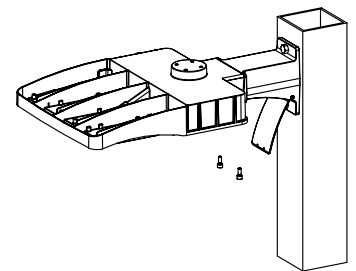


**B)** Make electrical connections: L for Live - Black, N for Neutral - White, G/E for Ground - Green.



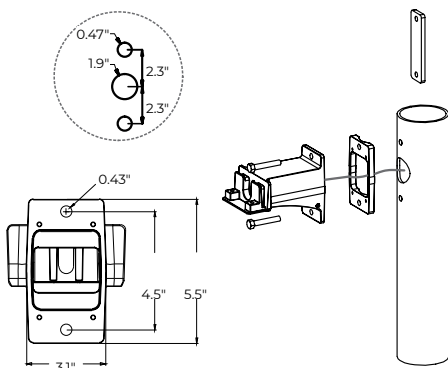
**C)** Install the bracket cover and fasten the screws.

Installation complete. 

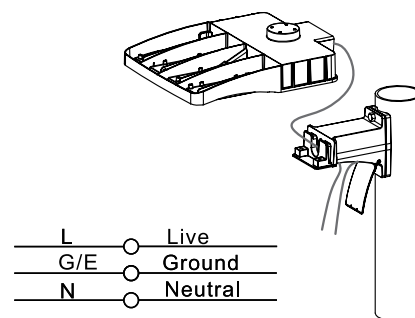


**INSTALLATION INSTRUCTIONS (ROUND POLE MOUNT)**

**A)** Drill holes into the round pole. The drill hole template is shown below and on page 4. Remove the bracket cover and pull the supply wires through the bracket. Fasten the round pole mount bracket to the pole with provided screws.

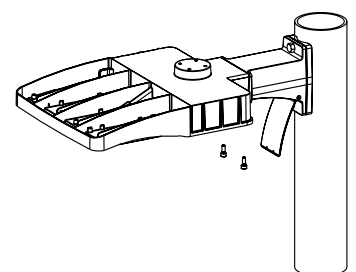


**B)** Make electrical connections: L for Live - Black, N for Neutral - White, G/E for Ground - Green.



**C)** Install the bracket cover and fasten the screws.

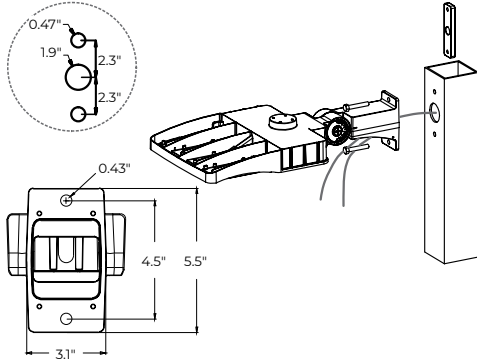
Installation complete. 



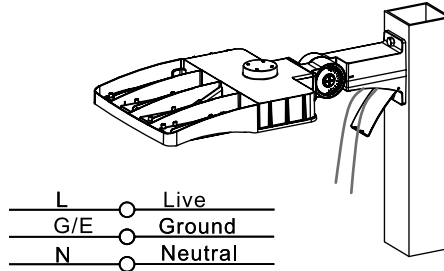
**SAVE THESE INSTRUCTIONS**

**INSTALLATION INSTRUCTIONS (ADJUSTABLE SQUARE POLE MOUNT)**

**A)** Drill holes into the square pole. The drill hole template is shown below and on page 5. Remove the bracket cover and pull the supply wires through the bracket. Fasten the square pole mount bracket to the pole with provided screws.

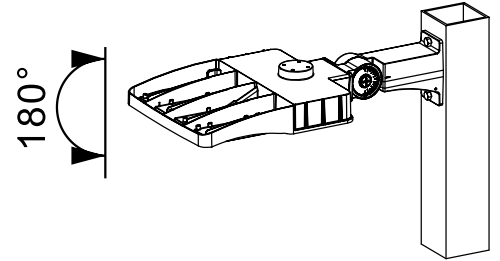


**B)** Make electrical connections: L for Live - Black, N for Neutral - White, G/E for Ground - Green.



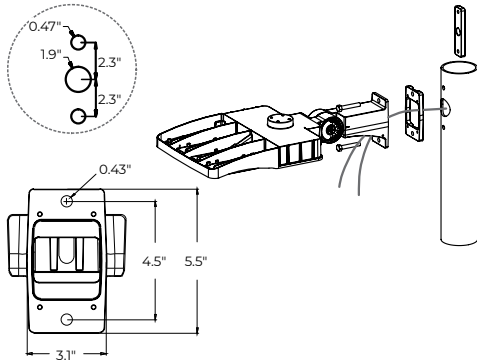
**C)** Install the bracket cover and tighten the screws. The luminaire aiming angle is adjustable.

Installation complete. 

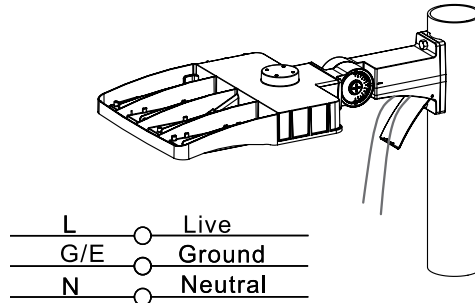


**INSTALLATION INSTRUCTIONS (ADJUSTABLE ROUND POLE MOUNT)**

**A)** Drill holes into the round pole. The drill hole template is shown below and on page 5. Remove the bracket cover and pull the supply wires through the bracket. Fasten the round pole mount bracket to the pole with provided screws.

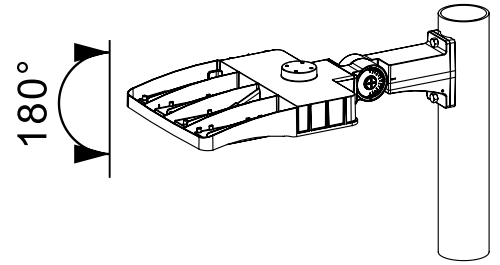


**B)** Make electrical connections: L for Live - Black, N for Neutral - White, G/E for Ground - Green.



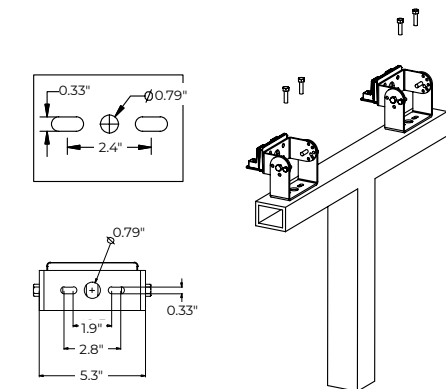
**C)** Install the bracket cover and tighten the screws. The luminaire aiming angle is adjustable.

Installation complete. 

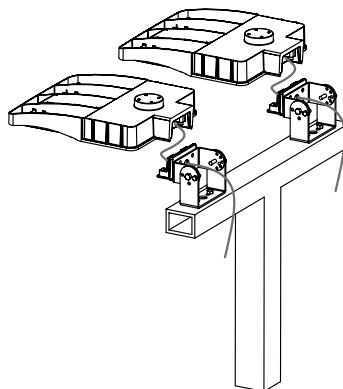


**INSTALLATION INSTRUCTIONS (YOKE/TRUNNION/U MOUNT)**

**A)** Drill holes into the pole. The drill hole template is shown below and on page 5. Fasten the bracket to the pole with provided screws.

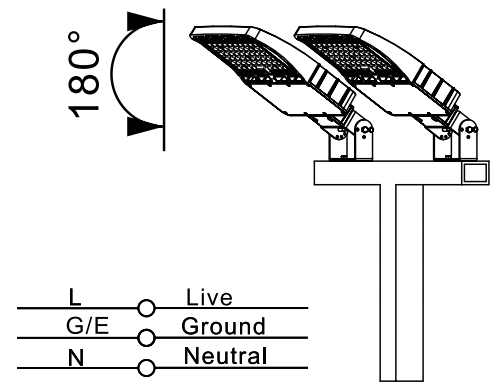


**B)** Install the luminaire onto the bracket and fasten with provided screws.



**C)** Make electrical connections: L for Live - Black, N for Neutral - White, G/E for Ground - Green. The luminaire aiming angle is adjustable.

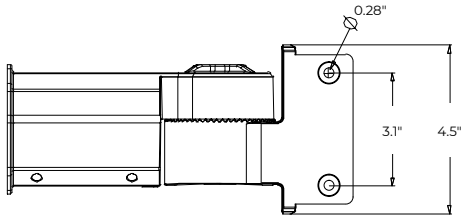
Installation complete. 



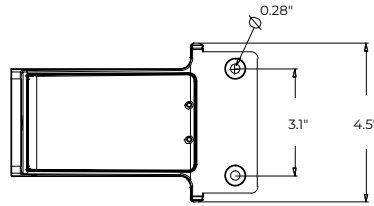
**SAVE THESE INSTRUCTIONS**

**DRILL HOLE PATTERNS & DIMENSIONAL DRAWINGS**

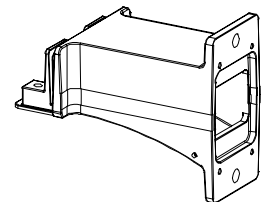
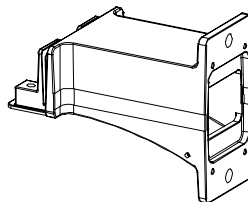
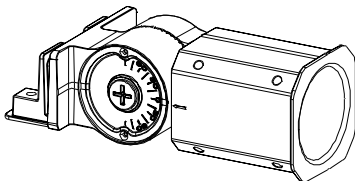
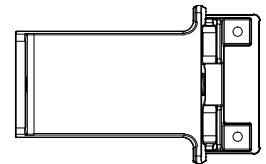
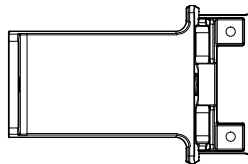
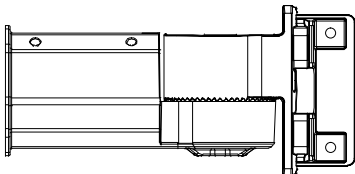
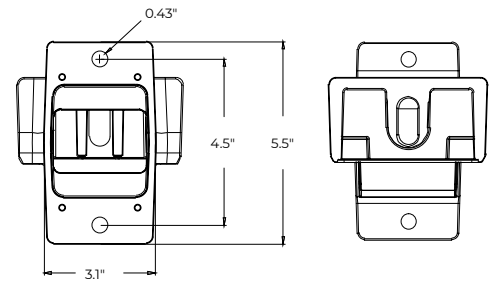
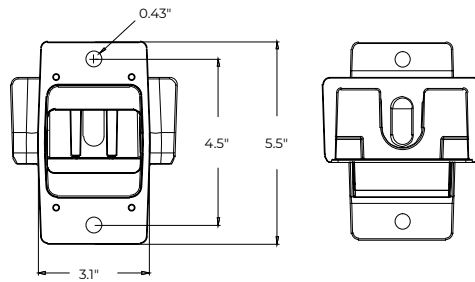
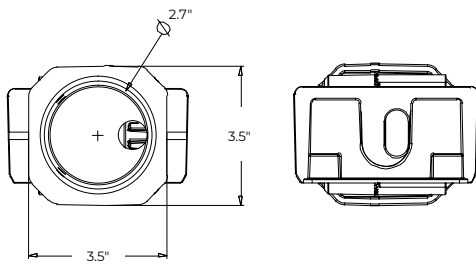
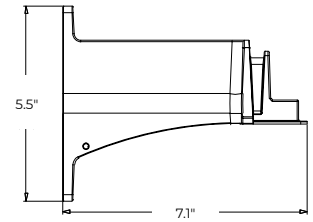
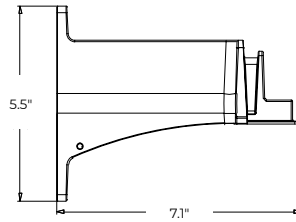
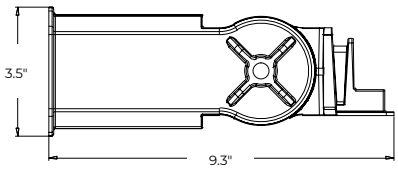
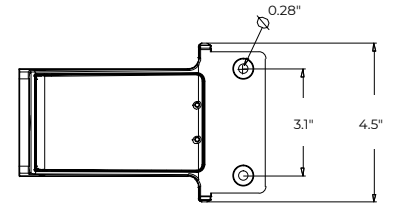
**SLIP FITTER**



**SQUARE POLE MOUNT**



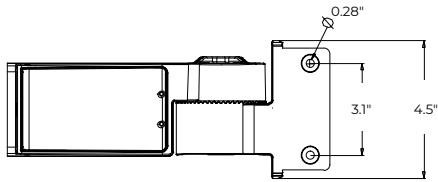
**ROUND POLE MOUNT**



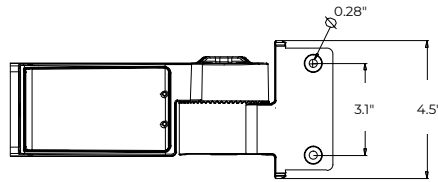
**SAVE THESE INSTRUCTIONS**

**DRILL HOLE PATTERNS & DIMENSIONAL DRAWINGS (CONTINUED)**

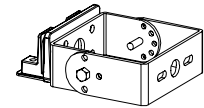
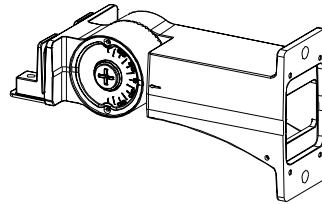
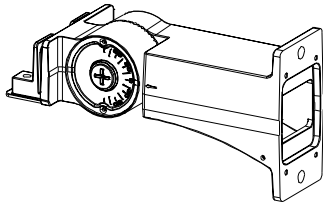
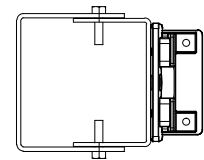
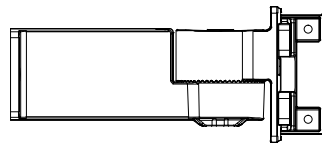
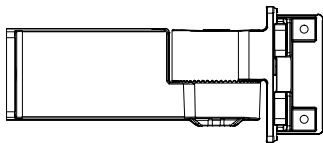
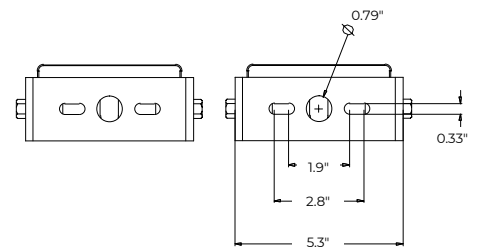
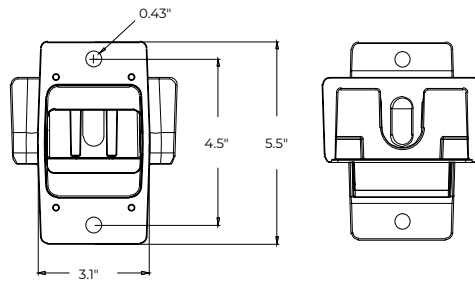
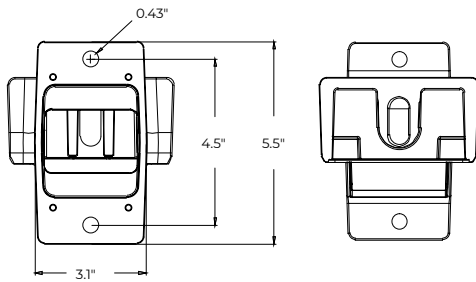
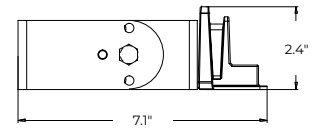
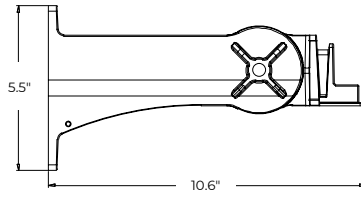
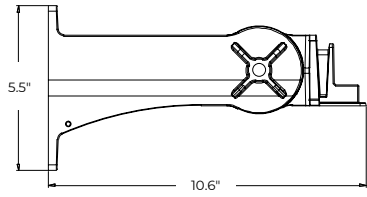
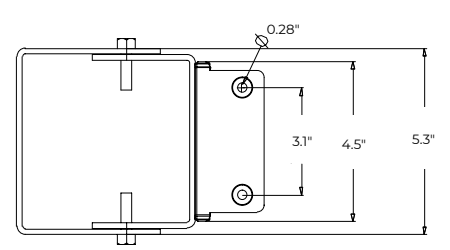
**SQUARE POLE MOUNT ADJUSTABLE**



**ROUND POLE MOUNT ADJUSTABLE**



**YOKE / TRUNNION / U MOUNT**



**SAVE THESE INSTRUCTIONS**