



### IMPORTANT SAFETY PRECAUTIONS

**Before you begin, read these instructions completely and carefully.**

- Be certain electrical power is OFF before and during installation, maintenance and removal.
- Luminaire wiring must be properly grounded in accordance with the NEC and any applicable local code requirements.
- Use only UL or IEC approved wire for input/output connections.
- Verify that supply voltage matches voltage on luminaire label. Installation to any other connection may void the warranty.
- Wear gloves during installation to prevent injury and do not expose wiring to metal or sharp edges.
- Do not install in areas subject to combustible vapors or gases. Verify luminaire location ratings are suitable for installation environment (refer to specification sheet as needed).
- Do not restrict luminaire's ventilation by covering with material that will cause luminaire to overheat and potentially shorten the life span.
- Ensure LED luminaire has the correct polarity before installation.



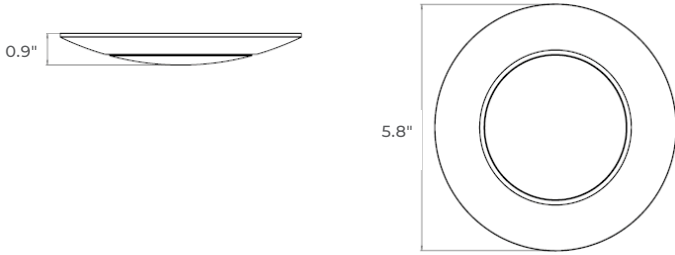
**WARNING:** To reduce the risk of personal injury or property damage from fire, electrical shock, falling parts, abrasions, burns and all other hazards, read all provided warnings and follow installation instructions.

This product should be installed, inspected and maintained by a qualified and licensed electrician. Installation of luminaire must be in accordance with NEC and local code requirements.

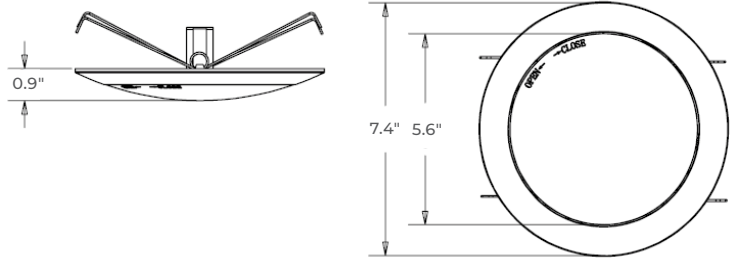
**SAVE THESE INSTRUCTIONS**

**DIMENSIONS**

**4" Product**



**6" Product**

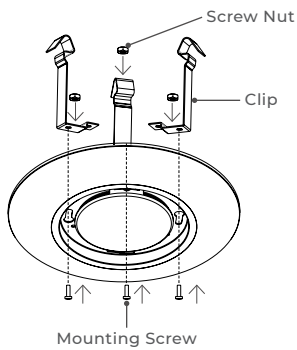


**INSTALLATION INSTRUCTIONS**

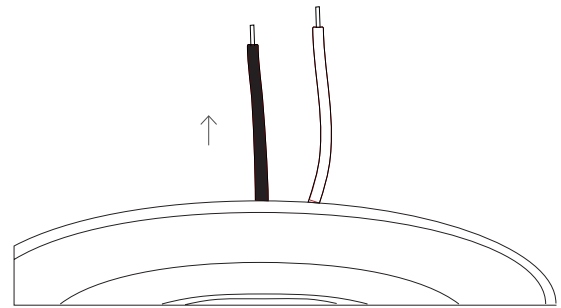
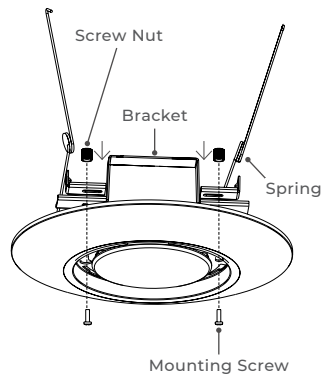
- A) Twist lens cover counter-clockwise to remove from the disk light.
- B) Use the screw and screw nut to fix the 4" clips on the disk light or 5" or 6" housing.

- C) Detach the orange connector from socket adapter and insert black and white fixture wire into non-wired half of orange connector following color code marked.

**4" Product**



**6" Product**



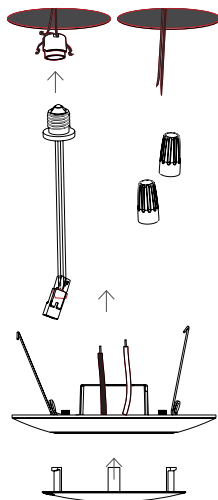
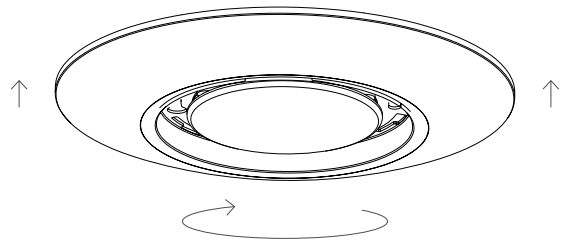
- D) Screw the socket adapter to socket in housing.

Insert wires from the disk light into the female connector. Insert the hot black wire into positive (+) terminal and the neutral white wire into negative (-) terminal.

Plug the female connector from the disk light into the male connector of the socket adapter assembly. Ensure hot black wires are aligned via the positive terminal and neutral white wires are aligned via the negative terminal.

If there is no socket in the housing for the socket adapter to screw into, the fixture can be hard-wired directly using wire nuts. See instructions on the next page.

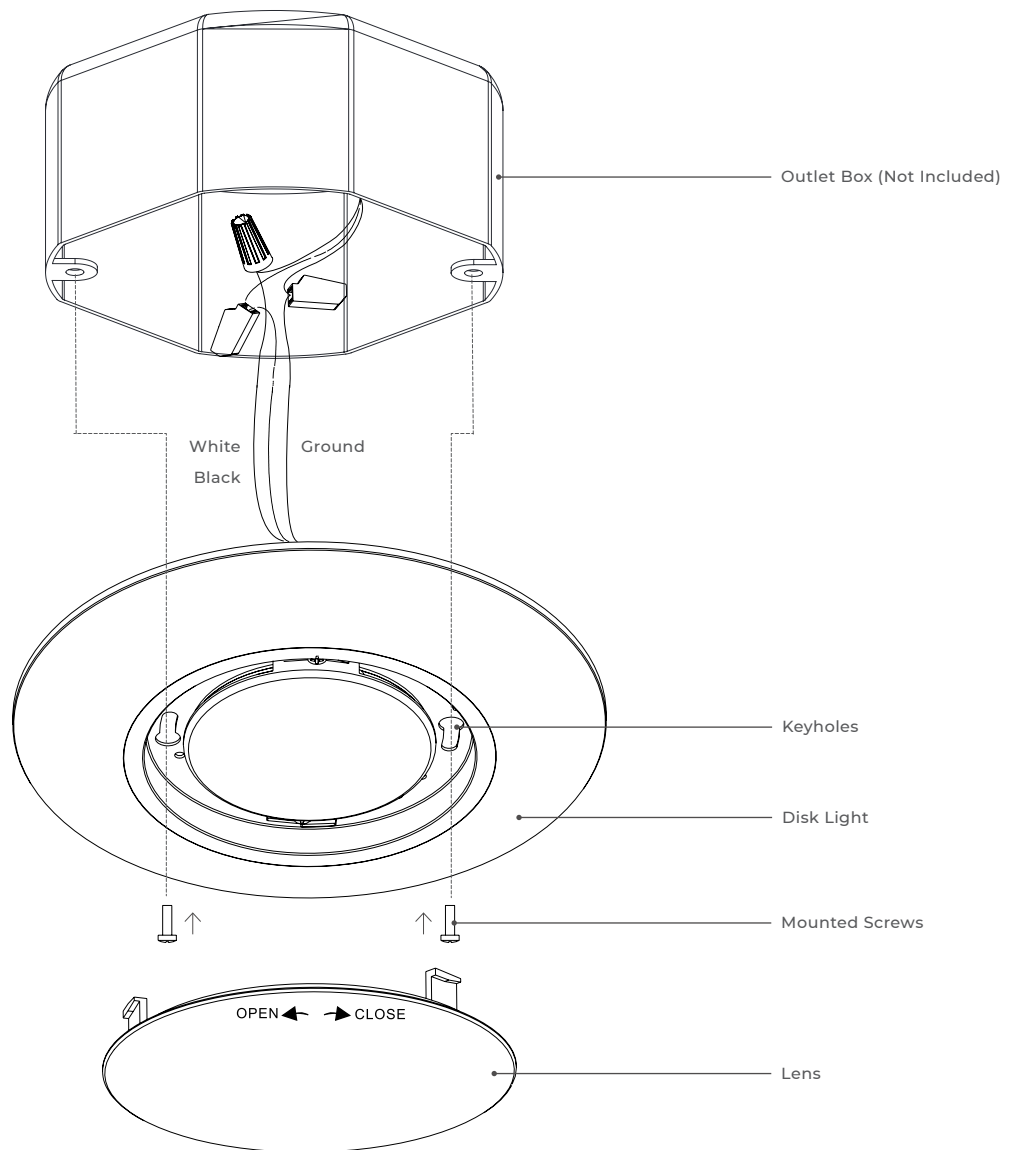
- E) Push the disk light into the housing until flush with the ceiling.  
 Put the lens back on to the disk light by twisting the lens clockwise.



**SAVE THESE INSTRUCTIONS**

**ELECTRICAL CONNECTION INSTRUCTIONS OVER STANDARD ELECTRICAL JUNCTION BOX**

- A) Twist the lens cover counter-clockwise to remove from the disk light.
- B) Provide electrical service to the outlet box according to the NEC or your local electrical code.
- C) Connect the supply wires to the fixture wires and insulate with proper size wire nuts.
  - Connect the incoming ground wire (green or bare) to the fixture ground wire (green or bare).
  - Connect the incoming common hot (white) wire to fixture common (white).
  - Connect the incoming hot (typically black) wire to fixture black wire.
- D) Use the junction box screw to install the disk light to the junction box directly.
- E) Twist the lens clockwise on the disk light metal enclosure and lock the lens in place.



**SAVE THESE INSTRUCTIONS**