



IMPORTANT SAFETY PRECAUTIONS

Before you begin, read these instructions completely and carefully.

- Be certain electrical power is OFF before and during installation, maintenance and removal.
- Fan wiring must be properly grounded in accordance with the NEC and any applicable local code requirements.
- Use only UL or IEC approved wire for input/output connections.
- Verify that supply voltage matches voltage on fan label. Installation to any other connection may void the warranty.
- Wear gloves during installation to prevent injury and do not expose wiring to metal or sharp edges.
- Make sure that your electrical system and choice of location meet these requirements.
If the location where you plan to install your fan does not already have an electrical outlet, hire a licensed electrician to run the wiring and install an outlet box designed for ceiling fans or heavy fixtures. The outlet box should be able to support a minimum moving weight of 50 pounds and marked "Acceptable for Fan Support" (Plastic outlet boxes are not recommended for ceiling fan installation).
- If you plan to use an existing electrical location, check to make sure that the outlet box is not PLASTIC, that it is securely attached and able to support at least 50 pounds of moving weight and marked "Acceptable for Fan Support". If you have any questions, outlet boxes and support systems for ceiling fans are available at most hardware centers. In most cases, your dealer will have all the necessary products for the proper and safe installation of your ceiling fan.
- The location you choose should have a minimum clearance of 20 inches from any wall to the blade tip at any point in its rotation and a minimum of 7 feet from blade level to floor and 10 inches from blades to ceiling.
- This ceiling fan was not designed for installation in any location where it might be exposed to moisture or high humidity. Installation in this type of location could be unsafe, will most likely damage the fan and its finish and will void your warranty.



WARNING: To reduce the risk of fire, electrical shock, or personal injury, mount this fan to an outlet box marked "Acceptable for Fan Support of 22.7kg (50lbs)" or less and use Mounting Screws provided with the outlet box. CAUTION: Install the primary mounting means and use only the hardware provided with the fan.

To reduce the risk of personal injury, do not bend the blade brackets when installing the brackets, balancing the blades or clearing the fan. Be careful not to insert foreign objects in between rotating fan blades.

To reduce the risk of fire or electrical shock, do not use this fan with any solid-state speed control device.



The important safeguards and instructions appearing in this manual are not meant to cover all possible conditions and situations that may occur. It must be understood that common sense, caution and careful attention to detail are factors which cannot be built into this product. These factors must be supplied by the person or persons installing, caring for, and operating the unit.

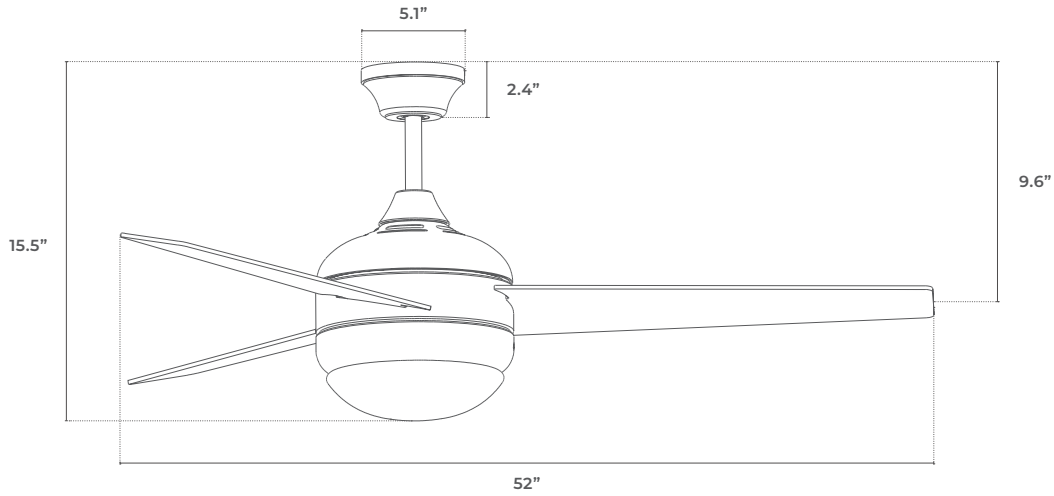


This product should be installed, inspected and maintained by a qualified and licensed electrician. Installation of luminaire must be in accordance with NEC and local code requirements.

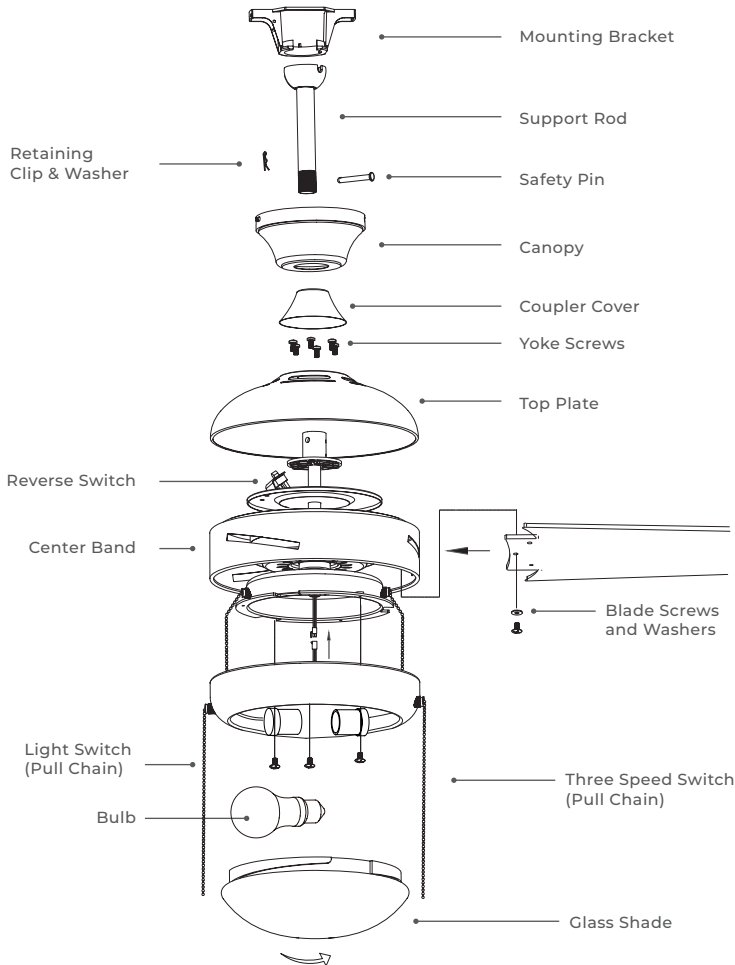
SAVE THESE INSTRUCTIONS



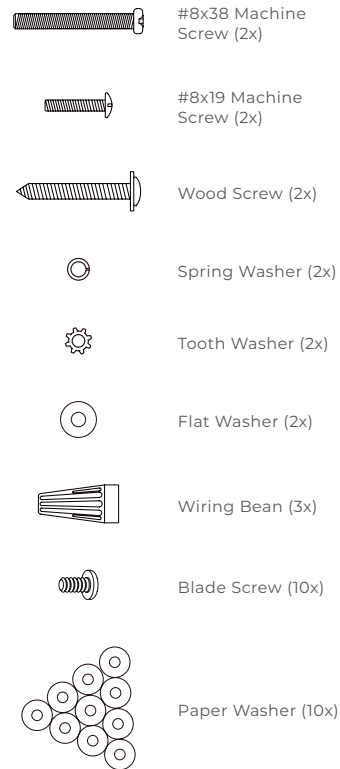
DIMENSIONS



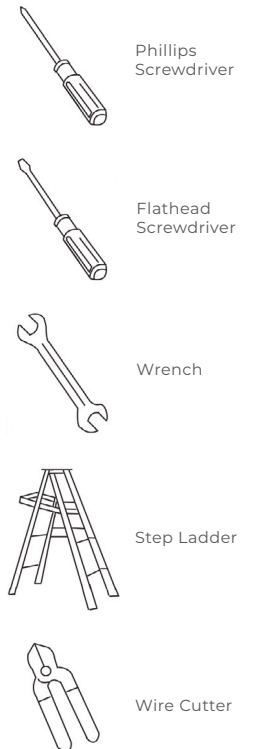
PRODUCT PARTS



ACCESSORIES



TOOLS & MATERIALS REQUIRED



SAVE THESE INSTRUCTIONS



MOUNTING BRACKET INSTALLATION

A) Remove the canopy from the mounting bracket by loosening the slotted screws on the side of the mounting bracket and removing the non-slotted screws. Set canopy aside.

B) Secure the mounting bracket onto the electrical junction box using two screws, two washers and two lock washers.

C) The mounting bracket has slotted holes to enable it to move sideways for proper alignment. Make sure the mounting bracket is centered over the electrical junction box and that it is securely attached.

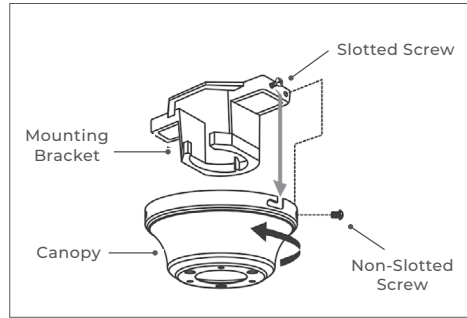


FIGURE 1

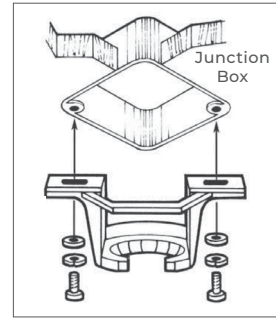


FIGURE 2

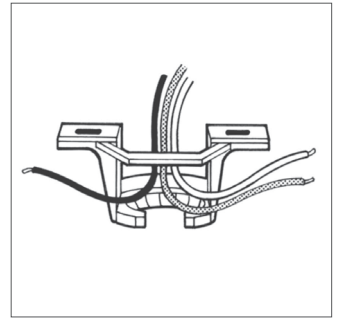


FIGURE 3

NO MOVEMENT SHOULD OCCUR BETWEEN THE MOUNTING BRACKET AND THE ELECTRICAL JUNCTION BOX.

FAN ASSEMBLY

A) Remove three screws from light kit and lift light kit aside (Figure 4).

Time Saver: Washers for blade screws can be set on each blade screw prior to installing blades.

B) Locate 10 blade attachment screws and washers in hardware pack. Slide blade through center band and align holes. Insert 3 blade screws and washers. Tighten securely with a Phillips screwdriver. Repeat for the remaining blades.

C) Place the light kit on switch housing mounting plate aligning the 3 screw holes on the switch housing mounting using previously removed screws. Insert and tighten 3 screws.

D) Attach wire connector from fan to wire connector on light kit. Press firmly.

E) Loosen the set screws (2) in the support rod coupler until the inside of the channel is clear of the screw tip.

F) Remove and save the safety pin and washer at the end of the support rod.

G) Slide the ceiling canopy onto the support rod, followed by the support rod coupler cover.

H) Feed the electrical wires from the fan housing through the support rod.

I) Thread the support rod into the coupler until the safety pin can be inserted through the hole in both the rod and coupler.

J) Insert the safety pin through the hole in the support rod coupler and support rod then attach washer into safety pin and the retaining clip on the other side.

K) Tighten both set screws and safety screw on the support rod coupler.

L) Place lamp into socket on the light kit, then place glass shade onto the light kit and rotate until secure..

Note: If you are using an extended support rod (longer than the one supplied with your fan) remove the half ball from the support assembly and attach it to the extended support rod. Make sure to re-tighten the set screw and insert the safety pin.

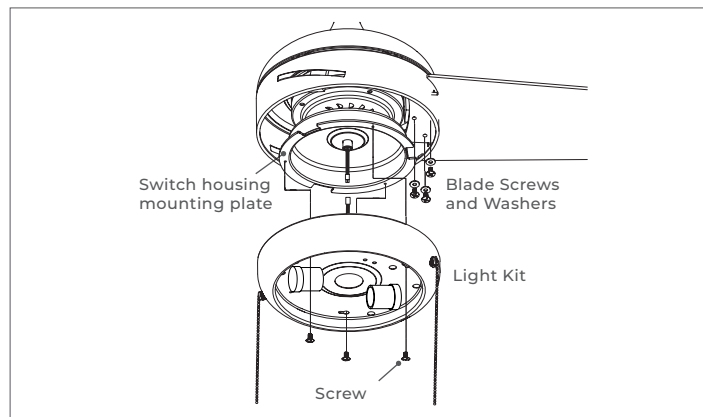


FIGURE 4

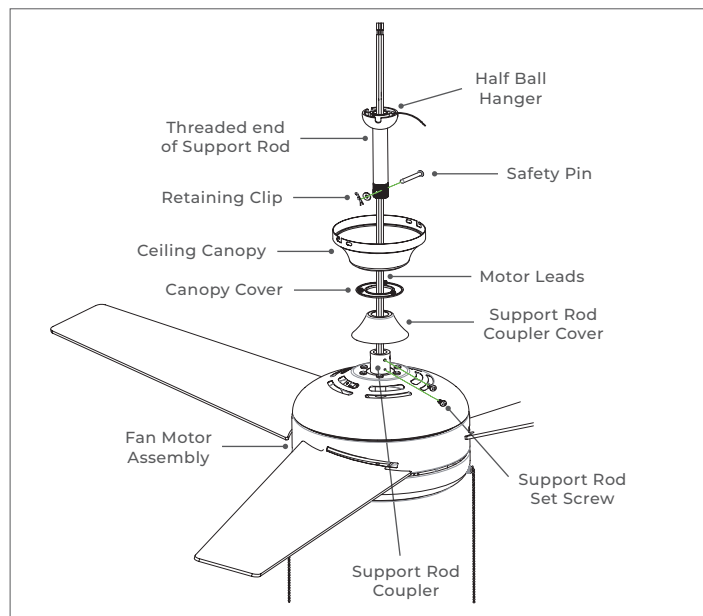


FIGURE 5

SAVE THESE INSTRUCTIONS



HANGING THE FAN BODY

A) Notice the ball hanger is grooved on one side (Figure 6). This keyway fits over the small keyway pin on the inside of the mounting bracket and prevents the ceiling fan from spinning on the mounting bracket.

B) Lift the fan and place the ball hanger in the center of the mounting bracket with the keyway pin inserted into the keyway on the ball hanger. Turn the fan left and right slightly to make sure it is securely aligned on the bracket with the keyway pin in the keyway.

C) Trim the lead wires, leaving about six inches of each wire extending from the support rod.

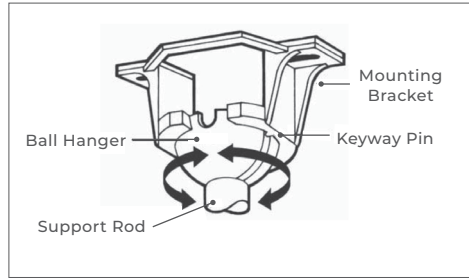


FIGURE 6

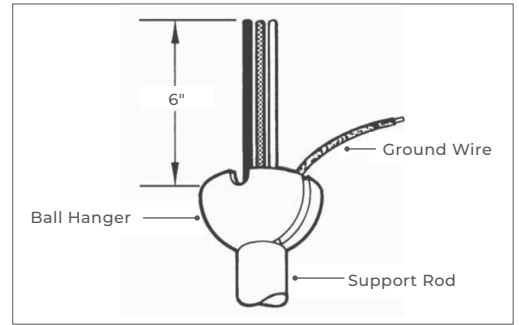


FIGURE 7

ELECTRICAL CONNECTIONS

To reduce the risk of electric shock, ensure electricity has been turned off at the circuit breaker or fuse box before beginning.

To operate your ceiling fan with the pull chain(s) and switches mounted on your fan, follow the instructions below, as shown in Figure 8.

A) Connect the fan supply (black) wire and light supply (blue) wire to the black wire in the junction box.

B) Connect the fan neutral (white) wire to the neutral (white) wire in the junction box.

C) Connect the fan ground (green) wire (connect to the half ball) to the ground (green) wire in the junction box..

D) After connecting wires, push wiring into the outlet box. Try to push wires apart so that the green and white wires are on one side of the outlet box and the black and blue wires are on the other side.

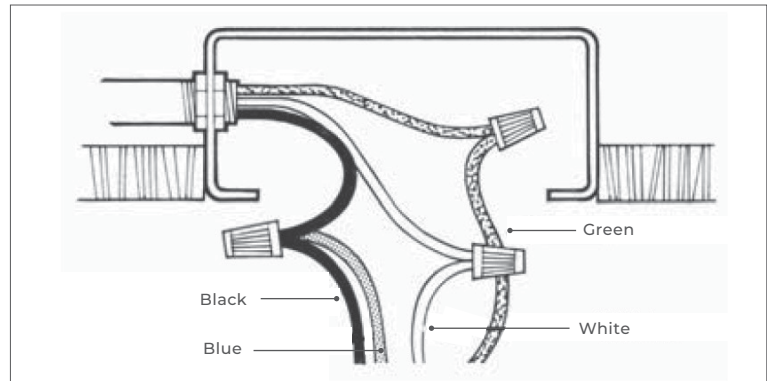


FIGURE 8

ELECTRICAL CONNECTIONS (WALL SWITCH)

WARNING: Turn OFF the electric power at the main fuse or circuit breaker box before wiring. The installation of this product must be carried out by a qualified licensed electrician.

- This fan is equipped with a wall control unit controlling the fan speeds and light kit.
- Make the following wire connections by using the wire nuts supplied.
- Set the knob and light switch of the wall-mounted control in the off (0) position.
- Connect the wires as shown below:

1) To the wall control

A) Connect the Black wire from fan motor to the wall control Black wire (marked with "TO MOTOR L")

B) Connect the Blue wire from fan motor to the wall control Blue wire (marked with "FOR LIGHT L")

2) To the household supply wires:

A) Connect the Black wire (marked with "AC in L") from wall control to the Live wire (Black) from supply circuit on the wall outlet box.

B) Connect the White wire from fan motor to the Neutral wire (White) from supply circuit on the wall outlet box.

C) Connect the three Green (Ground) wires from fan downrod, mounting bracket and wall control to the Ground wire from supply circuit on the wall outlet box.

- After making the wire connections, ensure the wires should be spread apart with the grounded conductor and the equipment-grounding conductor on one side of the outlet box and the ungrounded conductor on the other side of the outlet box.
- Ensure the splices after being made should be turned toward and pushed carefully into the outlet box.
- **Make sure no bare wire is visible at the wire nuts.**

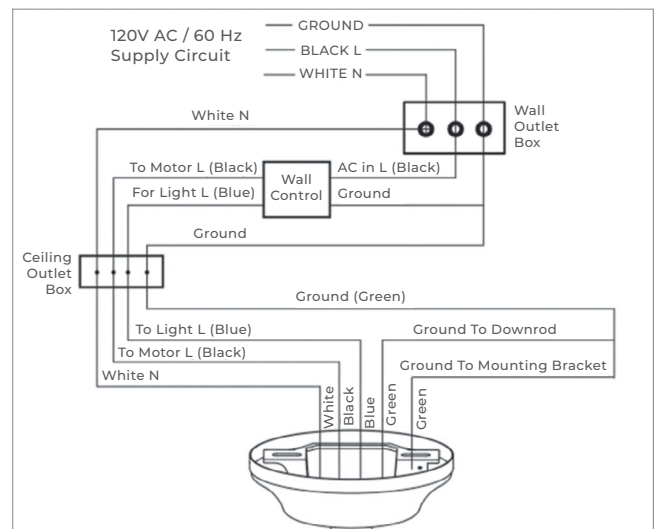


FIGURE 9

SAVE THESE INSTRUCTIONS



CANOPY ASSEMBLY

A) Raise the fan and align the canopy to the screw holes on hanging bracket. Secure the canopy by tightening all 4 screws on the bracket. Make sure one screw on each side goes into the canopy slot.

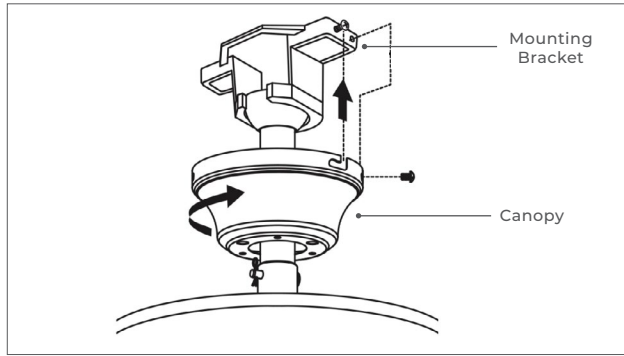


FIGURE 10

LAMP & GLASS SHADE INSTALLATION

A) Screw in two lamps (included) into the sockets on the light kit.

B) Place the glass shade onto the light kit and rotate till secure (Figure 11).

C) Check all set screws and connections are secure.

D) Check blade clearance and rotation.

E) Thread pull chains through the holes provided in the sides of the light fixture.

F) Attach the decorative pull chain extensions and tassels to the light and fan pull chains.

G) Installation is complete. 

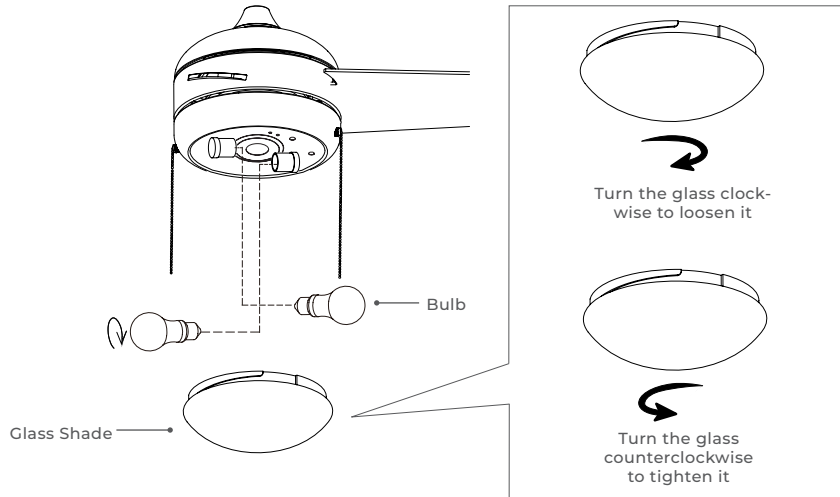


FIGURE 11

OPERATING INSTRUCTIONS

To Change the speed of your fan's blades, pull on chain once for HIGH, twice for MEDIUM, three times for LOW, and four times to turn OFF.

To turn on the light, pull on the other chain once to turn ON. Once the light is on, pull the chain once to turn OFF.

The slide switch, located on the fan housing controls the blade direction:

- The DOWN position sets the blades for clockwise (forward) rotation (air moves down).
- The UP position sets the blades for counter clockwise (reverse) rotation (air moves UP).

NOTE: Wait for the fan to stop before changing the fan direction.

Use the clockwise rotation (forward for warm weather). This downward airflow creates a cooling effect (Figure 12).

Use the counter clockwise rotation (reverse) for cool weather. An upward airflow moves warm air off the ceiling area (Figure 13).

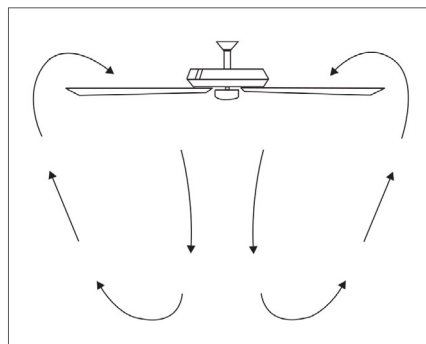


FIGURE 12

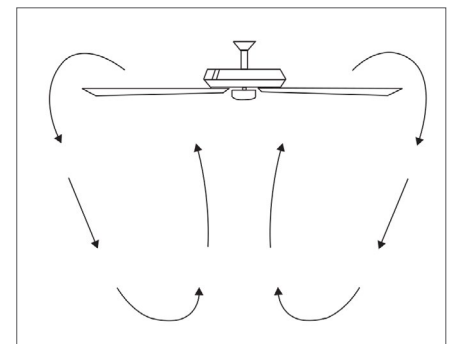


FIGURE 13

SAVE THESE INSTRUCTIONS



MAINTENANCE

Because of the fan's movement, some connections may become loose over time. Check the support connections, brackets, and blade attachments twice a year. Make sure they are secure. This does not require the fan being removed from the ceiling.

Clean your fan periodically to help maintain its new appearance over the years. Use only a soft brush or lint-free cloth to avoid scratching the finish. The plating is sealed with a lacquer to minimize discoloration or tarnishing. Do not use water when cleaning. Water could damage the motor, wood, or possibly cause an electrical shock.

Apply a light coat of furniture polish to the wood blades for additional protection. Cover small scratches with a light application of show polish.

There is no need to oil your fan. The motor has permanently lubricated bearings.

WARNING: To reduce the risk of electric shock, ensure electricity had been turned off at the circuit breaker or fuse box before attempting any repairs and refer to the "ELECTRICAL CONNECTIONS" section of this installation guide.

TROUBLESHOOTING

Problem: Fan will not start.

Solution: Check circuit fuses or breakers for power. With the main power off, check line wire connections to the fan and switch wire connections in the switch housing.

Problem: Fan is making a noise.

Solution: Make sure all motor housing screws are secure. Make sure the screws that attach the fan blade bracket to the motor hub are secure.

With the main power off, make sure wire nut connections are not rubbing against each other or the interior wall of the switch housing. Allow a 24-hour "break-in" period for noise associated with installation.

Make sure glassware screws and bulbs are secure

Make sure the upper canopy is not touching the ceiling

Problem: Fan is wobbling.

Solution: Check that all blade and blade arm screws are secure. Check the fan blade levels by selecting a point on the ceiling above the tip of one of the blades. Measure the distance from blade to ceiling. rotate the fan until the next blade is position for measurement. repeat for each blade, The distance deviation should be equal or within 1/8". Use the enclosed blade balancing kit if the blade wobble is still noticeable or swap two blades to redistribute the weight for a smoother operation.

WARNING: To reduce the risk of personal injury, do not bend the blade arm while installing, balancing, or cleaning the fan. Do not insert objects in the path of blades.

BLADE REBALANCING KIT INSTRUCTIONS

A) Turn Off the Fan: Ensure the fan is completely turned off and has come to a full stop before starting the balancing process.

B) Clean the Blades: Dust and debris can cause imbalance. Wipe down each blade thoroughly to remove any buildup.

C) Inspect Blade Screws: Check that all screws connecting the blades to the motor housing are tight. Loose screws can lead to wobbling.

D) Use the Balancing Clip:

- Attach the plastic clip from the balancing kit to the edge of one blade, positioning it halfway between the blade holder and the tip.
- Turn the fan on to observe if the wobble decreases.
- If there's no improvement, move the clip to the next blade and repeat the process.
- Continue this until you identify the blade that, when clipped, reduces the wobble the most

E) Adjust Clip Position: On the problematic blade, slide the clip along its length, testing different positions to find the spot where the wobble is minimized.

F) Apply Balancing Weights:

- Once the optimal position is found, place one of the adhesive weights from the kit on the top center of the blade, directly in line with where the clip was positioned.
- Remove the clip and test the fan.
- If wobbling persists, additional weights can be added as needed.

SAVE THESE INSTRUCTIONS

6

