



### IMPORTANT SAFETY PRECAUTIONS

Before you begin, read these instructions completely and carefully.

- Be certain electrical power is OFF before and during installation, maintenance and removal.
- Luminaire wiring must be properly grounded in accordance with the NEC and any applicable local code requirements.
- Use only UL or IEC approved wire for input/output connections.
- Verify that supply voltage matches voltage on luminaire label. Installation to any other connection may void the warranty.
- Wear gloves during installation to prevent injury and do not expose wiring to metal or sharp edges.
- Do not install in areas subject to combustible vapors or gases. Verify luminaire location ratings are suitable for installation environment (refer to specification sheet as needed).
- Do not restrict luminaire's ventilation by covering with material that will cause luminaire to overheat and potentially shorten the life span.
- Ensure LED luminaire has the correct polarity before installation.



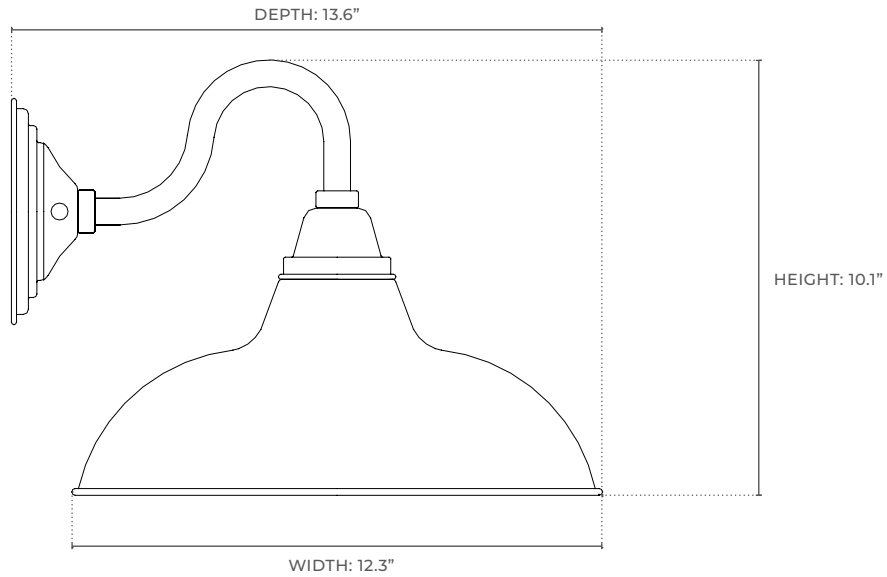
**WARNING:** To reduce the risk of personal injury or property damage from fire, electrical shock, falling parts, abrasions, burns and all other hazards, read all provided warnings and follow installation instructions.

This product should be installed, inspected and maintained by a qualified and licensed electrician. Installation of luminaire must be in accordance with NEC and local code requirements.

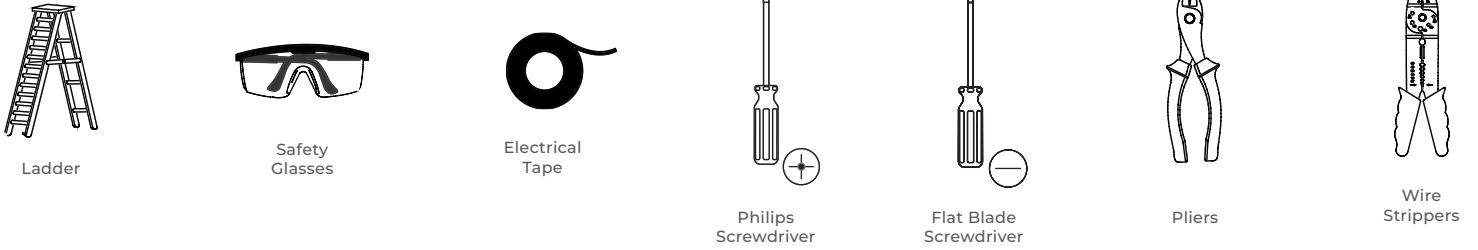
**SAVE THESE INSTRUCTIONS**



**DIMENSIONS**

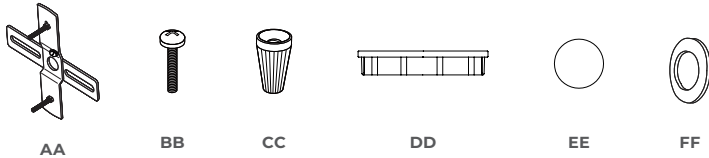


**TOOLS REQUIRED**



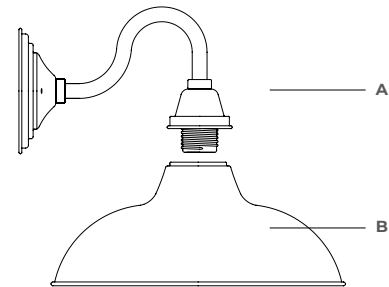
**HARDWARE INCLUDED**

**NOTE:** Hardware not shown to actual size.



| PART | PART DESCRIPTION                         | QTY |
|------|--|-----|
| AA   | Mounting Unit                            | 1   |
| BB   | Mounting Screw                           | 2   |
| CC   | Wire Nut                                 | 3   |
| DD   | Socket Ring (pre-assembled with fixture) | 1   |
| EE   | Cap Nut                                  | 2   |
| FF   | Plastic Washer                           | 2   |

**PACKAGE CONTENTS**



| PART | PART DESCRIPTION | QTY |
|------|------------------|-----|
| A    | Light Fixture    | 1   |
| B    | Lamp Shade       | 1   |

**SAVE THESE INSTRUCTIONS**

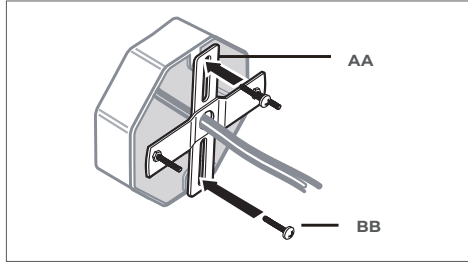


## INSTALLATION INSTRUCTIONS

### 1) Attaching the Mounting Unit to the Outlet Box

- Place the mounting unit (AA) over the outlet box (not included) so that the holes on the mounting unit (AA) align with the screw holes on the outlet box.
- Screw the outlet box screws (BB) through the holes on the mounting unit (AA) into the screw holes on the outlet box.

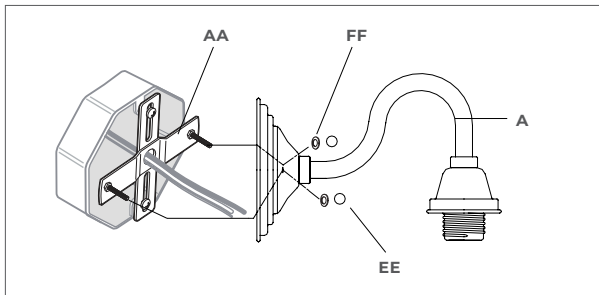
**NOTE:** The pre-installed screws on the mounting unit (AA) should protrude out away from the outlet box.



### 3) Securing the Light Fixture

- After wires are connected, tuck them carefully inside the outlet box.
- Secure the light fixture (A) to the outlet box by placing it over the pre-installed support screws on the mounting unit (AA) and securing it with the washers (FF) and cap nuts (EE).

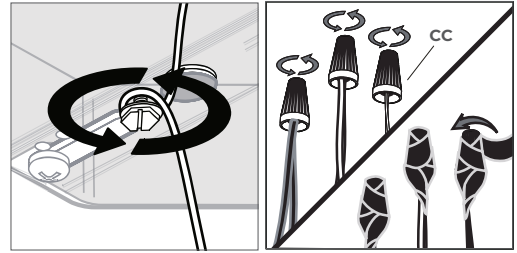
**CAUTION:** To avoid any waterproofing problems, make sure the light fixture fits the mounting surface perfectly during installation and use waterproof glue (not included) around the canopy for better sealing after installation.



### 2) Making the Electrical Connections

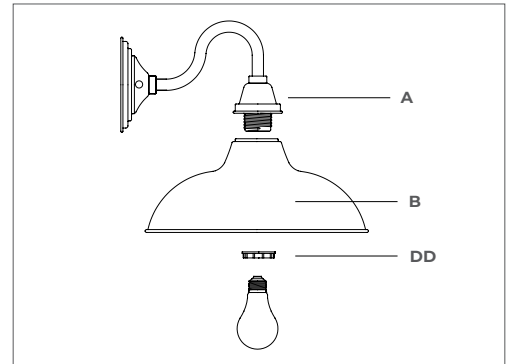
- Connect the copper wire from the fixture body (A) to the mounting unit (AA) by securing it with the pre-installed ground screw.
- Connect the black wire from the fixture to the black wire from the outlet box, the white wire from the fixture to the white wire from the outlet box, and the copper wire from the fixture to the ground wire from the outlet box with the wire nuts (CC). Secure with electrical tape (not included).

**NOTE:** If the wires from the fixture are the same color, attach the side with markings or letters to the black (positive) wire and the other to the white (neutral) wire.



### 4) Installing Shade and Light Bulb

- Remove the pre-installed socket rings (DD) of the light fixture (A).
- Insert the shades (B) to the fixture body (A) and tighten socket rings (DD) to the socket of the light fixture (A).
- Install one 60-Watt max. type A bulb (not included).



## OPERATION

### 1) Turning the Light On

- Turn the light switch on to activate the fixture.

## CARE AND CLEANING

- Clean the lamp with a soft, dry cloth.
- Do not use any cleaners with chemicals, solvents, or harsh abrasives.

## TROUBLESHOOTING

| PROBLEM  | POSSIBLE CAUSE  | SOLUTION  |
|--|---|---|
| The bulb will not light.   | The bulb is burned out.                                     | Replace the light bulb  |
|  | The power is off.   | Ensure the power supply is On.  |
|  | There's a faulty wire connection.                           | Check the wiring.   |
|  | The circuit breaker is off.                                 | Ensure the circuit breaker is in the On position.   |
| The fuse blows or circuit breaker trips when the light is turned on. | There are crossed wires or the power wire is grounding out. | Check the wire connections.<br>Contact a qualified electrician or call the Customer Service Team. |

**SAVE THESE INSTRUCTIONS**

