



IMPORTANT SAFETY PRECAUTIONS

Before you begin, read these instructions completely and carefully.

- Be certain electrical power is OFF before and during installation, maintenance and removal.
- Luminaire wiring must be properly grounded in accordance with the NEC and any applicable local code requirements.
- Use only UL or IEC approved wire for input/output connections.
- Verify that supply voltage matches voltage on luminaire label. Installation to any other connection may void the warranty.
- Wear gloves during installation to prevent injury and do not expose wiring to metal or sharp edges.
- Do not install in areas subject to combustible vapors or gases. Verify luminaire location ratings are suitable for installation environment (refer to specification sheet as needed).
- Do not restrict luminaire's ventilation by covering with material that will cause luminaire to overheat and potentially shorten the life span.
- Ensure LED luminaire has the correct polarity before installation.



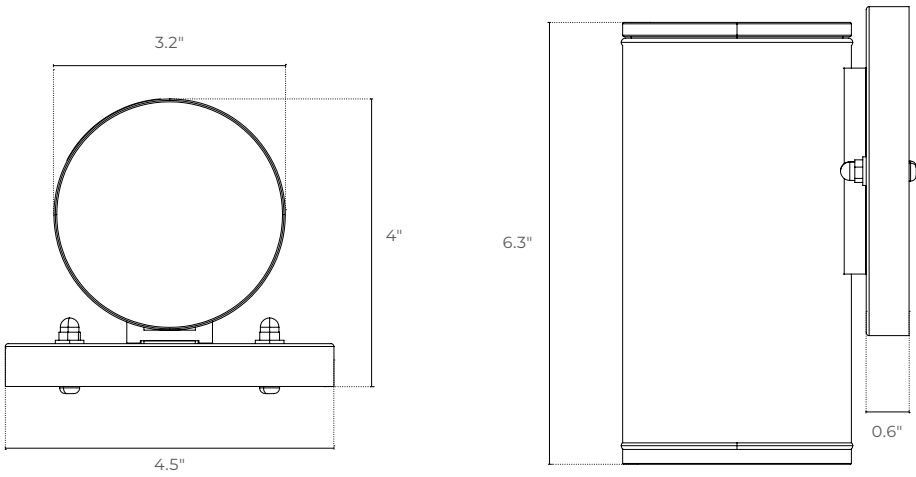
WARNING: To reduce the risk of personal injury or property damage from fire, electrical shock, falling parts, abrasions, burns and all other hazards, read all provided warnings and follow installation instructions.

This product should be installed, inspected and maintained by a qualified and licensed electrician. Installation of luminaire must be in accordance with NEC and local code requirements.

SAVE THESE INSTRUCTIONS



DIMENSIONS



PACKAGE CONTENTS

PART	DESCRIPTION	QTY
-	Fixture	1
A	Wire Nuts	3
B	Outlet Box Screws	2
-	Box	1
-	Installation Instructions	1

INSTALLATION INSTRUCTIONS

A) Install cross bar mounting bracket (2) to the junction box (1) using junction box screws (3);

B) Adjust the cross bar mounting bracket (2) to the right angle, tighten the screws (3).

Helpful Tip: Before tightening the screws, test the fit and angle of the fixture to ensure the cross bar is angled correctly. ✓

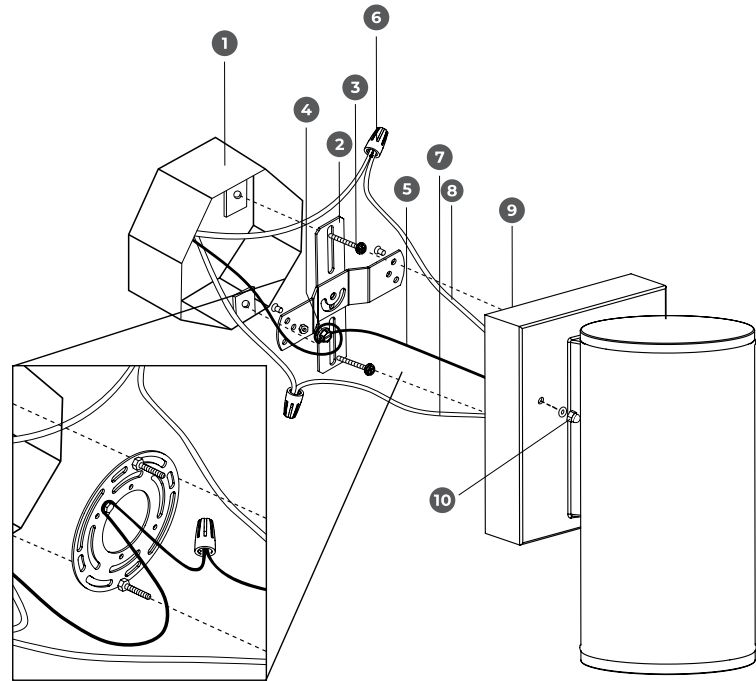
C) Strip 1/2 inch of insulation from wire ends. Twist stripped ends together with pliers: line - black to black (5), neutral - white to white (8). Attach copper wire to ground wire (7). **Helpful Tip:** If necessary, attach copper ground wire to junction box ground.

D) Attach wire nuts (6). Tape wire nuts and wires together with electrical tape.

E) Mount the fixture to the wall by aligning the mounting screws that protrude from the cross bar mounting bracket (2) to the hole in the wall plate (9). Screw the decorative nuts (10) onto the protruding mounting screws (4) until the fixture is held firmly and flush against the wall. It's recommended to apply clear weather silicone sealer (not included) around the wall plate (9).

F) Turn on power at the circuit breaker or fuse box. Turn the light switch ON to activate the fixture.

G) Installation complete. (EOL)



PARTS

- 1. Outlet Box
- 2. Mounting Bracket
- 3. Outlet Box Screws
- 4. Mounting Screws
- 5. Black Wire
- 6. Wire Nuts
- 7. Ground Wire
- 8. White Wire
- 9. Wall Plate
- 10. Decorative Nuts

SAVE THESE INSTRUCTIONS

