



IMPORTANT SAFETY PRECAUTIONS

Before you begin, read these instructions completely and carefully.

- Be certain electrical power is OFF before and during installation, maintenance and removal.
- Luminaire wiring must be properly grounded in accordance with the NEC and any applicable local code requirements.
- Use only UL or IEC approved wire for input/output connections.
- Verify that supply voltage matches voltage on luminaire label. Installation to any other connection may void the warranty.
- Wear gloves during installation to prevent injury and do not expose wiring to metal or sharp edges.
- Do not install in areas subject to combustible vapors or gases. Verify luminaire location ratings are suitable for installation environment (refer to specification sheet as needed).
- Do not restrict luminaire's ventilation by covering with material that will cause luminaire to overheat and potentially shorten the life span.
- Ensure LED luminaire has the correct polarity before installation.

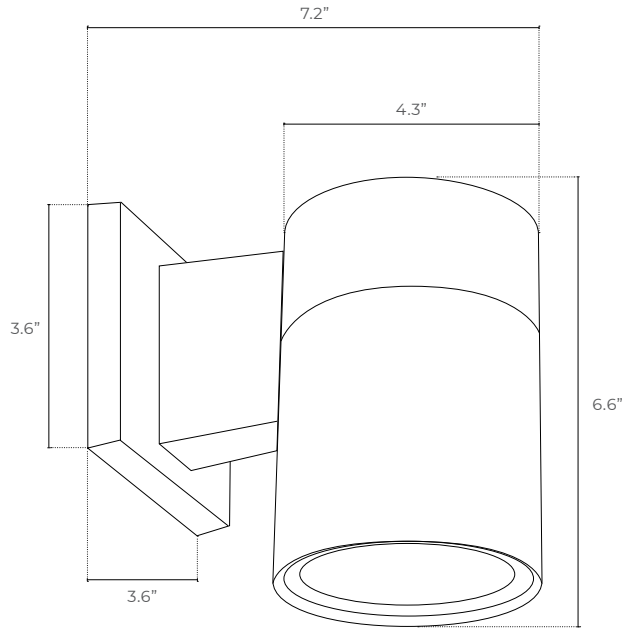


WARNING: To reduce the risk of personal injury or property damage from fire, electrical shock, falling parts, abrasions, burns and all other hazards, read all provided warnings and follow installation instructions.

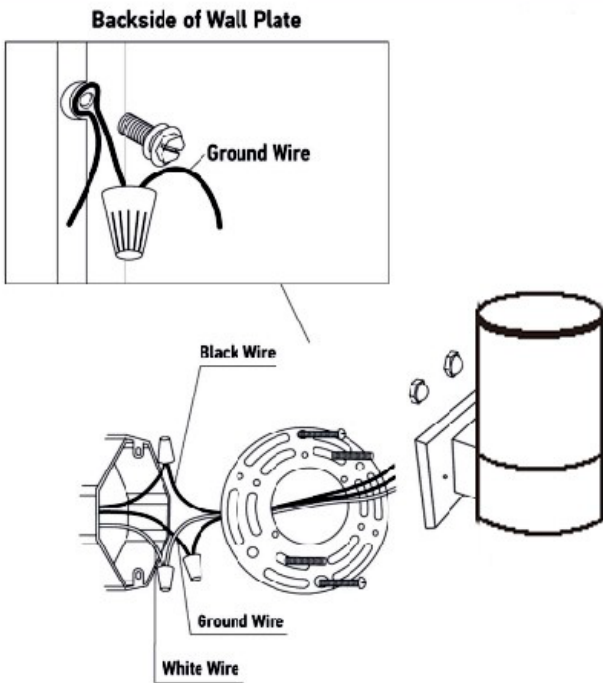
This product should be installed, inspected and maintained by a qualified and licensed electrician. Installation of luminaire must be in accordance with NEC and local code requirements.

SAVE THESE INSTRUCTIONS

DIMENSIONS



INSTALLATION INSTRUCTIONS



A) Screw two mounting screws onto the mounting bracket, then mount the mounting bracket to the outlet box by using two outlet box screws. Make sure the threads of the mounting screws are facing outside when the mounting bracket is attached to the outlet box.

B) Connect the ground wire from the fixture to the ground wire from outlet box. Connect the white wire from the fixture to the white wire (Neutral wire) from outlet box. Connect the black wire from the fixture to the black wire (Live wire) from outlet box.

C) Use three wire nuts to cover the connections. Wrap connectors with electrical tape for more secure connection. Position the wires back inside of the outlet box.

D) Place the fixture base on the wall by aligning the protruding mounting screws all the way through the holes on the wall plate.

E) Secure the fixture to the wall by screwing two decorative nuts onto the protruding mounting screws.

F) Installation complete. 

SAVE THESE INSTRUCTIONS