



IMPORTANT SAFETY PRECAUTIONS

Before you begin, read these instructions completely and carefully.

- Be certain electrical power is OFF before and during installation, maintenance and removal.
- Luminaire wiring must be properly grounded in accordance with the NEC and any applicable local code requirements.
- Use only UL or IEC approved wire for input/output connections.
- Verify that supply voltage matches voltage on luminaire label. Installation to any other connection may void the warranty.
- Wear gloves during installation to prevent injury and do not expose wiring to metal or sharp edges.
- Do not install in areas subject to combustible vapors or gases. Verify luminaire location ratings are suitable for installation environment (refer to specification sheet as needed).
- Do not restrict luminaire's ventilation by covering with material that will cause luminaire to overheat and potentially shorten the life span.
- Ensure LED luminaire has the correct polarity before installation.



WARNING: To reduce the risk of personal injury or property damage from fire, electrical shock, falling parts, abrasions, burns and all other hazards, read all provided warnings and follow installation instructions.

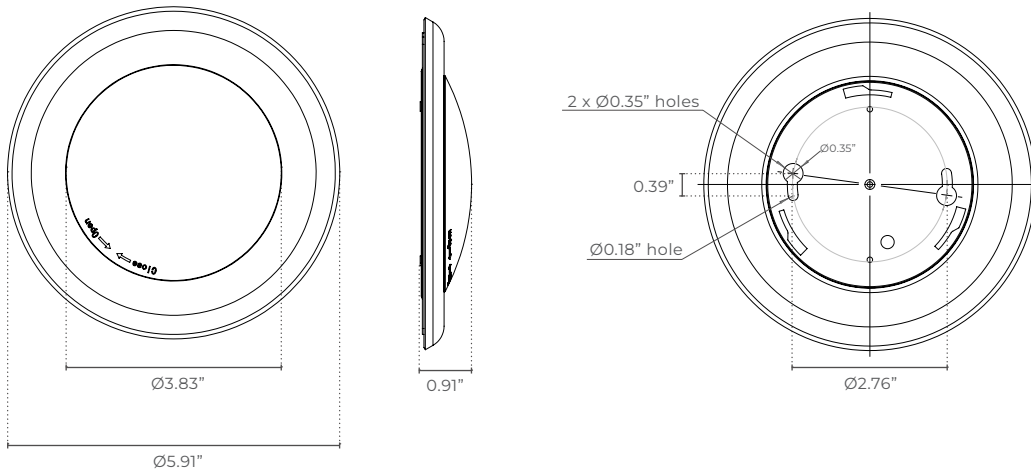
This product should be installed, inspected and maintained by a qualified and licensed electrician. Installation of luminaire must be in accordance with NEC and local code requirements.

SAVE THESE INSTRUCTIONS

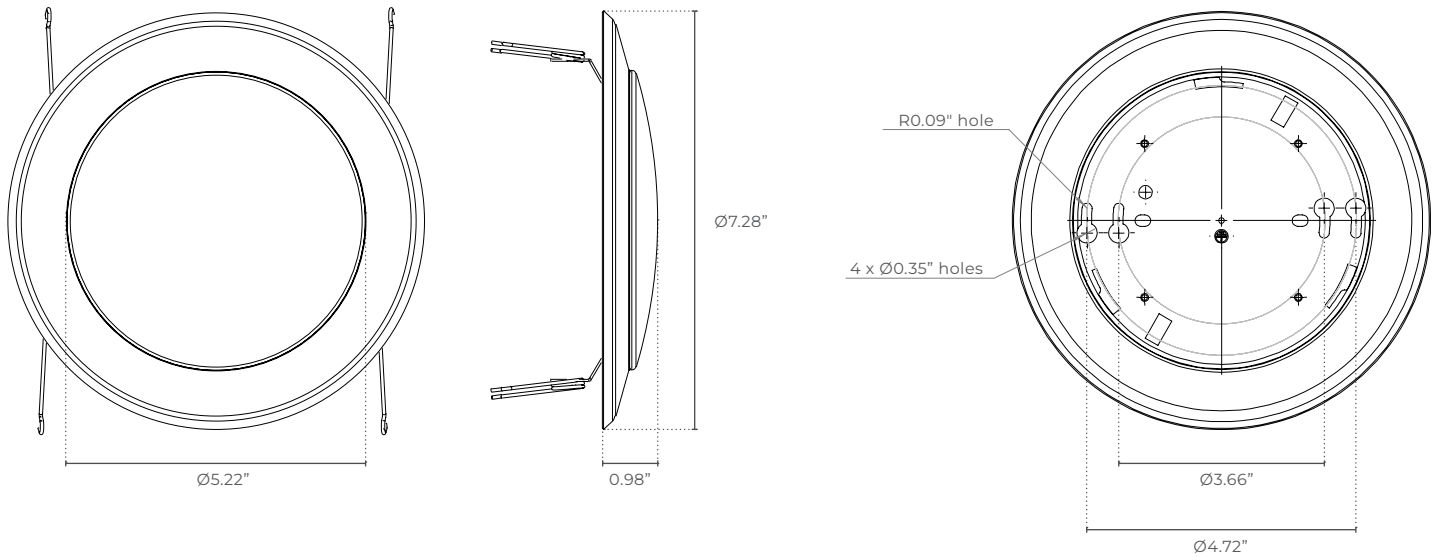


DIMENSIONS

Size 4



Size 6



APPROVED DIMMERS

LEVITON MODELS

- 6674
- 6633-P
- 6672
- 6631
- IPL06
- 1E1205
- DB33K1
- 1F4205
- 1A2305
- DSL06-1TW

LUTRON MODELS

- NT-1000
- S-603P
- S-600P
- DVCL-153P-WH
- CTCL-153PDH-WH
- SLV-600P-WH
- DV-600P
- CT-603PGH-WH
- MIR-600THW-WH
- MACL-153M-WH
- S-600PR-WH
- DVLV-603P-IV
- DVW-603PGH-WH
- DVFSQ-LFH
- SCL-153PR-WH
- CT-600PR-WH
- CT-103PR-WH
- DVWCL-153PH-LA
- CTCL-150H-WH
- CTCL-153PR-WH
- STCL-153PH-WH

SAVE THESE INSTRUCTIONS



INSTALLATION INSTRUCTIONS

A) Prepare fixture for installation. (Figure 1)

B) For 3.5" and 4" junction boxes, align appropriate holes on the mounting bracket with the holes on the junction box. Use of the included screws (M4x40 screws) to attach the mounting bracket to the junction box. Mounting bracket should be flush with the ceiling. For 2.75" junction boxes, skip this step. (Figure 2 & 3)

C) Remove lens by twisting counter clockwise. (Figure 4)

D) Use the included wire nuts (or quick connectors) to make electrical connections. Connect fixture black wire to supply black wire, connect fixture white wire to supply white neutral wire, connect the ground wire (attached to the fixture) to the ground wire in the junction box. (Figure 4)

E) Carefully place the wires and wire connectors inside the junction box. Ensure no connections come loose.

F) If the fixture is installed to 3.5" or 4" junction box, align appropriate holes on the fixture to the holes on the mounting bracket (2.75" distance). use 2 of the included screws (M4x20 screws) to attach the fixture to the mounting bracket. If the fixture is installed to a 2.75" junction box align appropriate holes on the fixture with the holes on the junction box. Use 2 of the included screws (M4x40 screws) to attach the fixture which should be flush with the ceiling. Do not overtighten screws or fixture will not be flush with the ceiling. (Figure 5)

G) Reinstall lens and turn clockwise to lock the lens on fixture. (Figure 6)

E) Installation complete. (Figure 7)

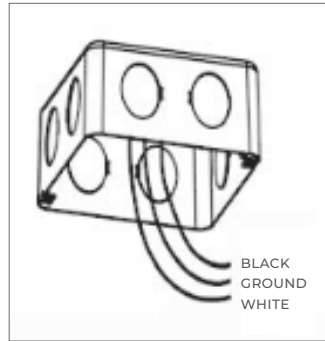


FIGURE 1

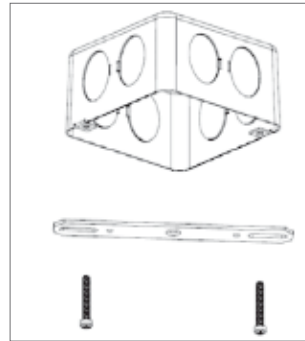


FIGURE 2

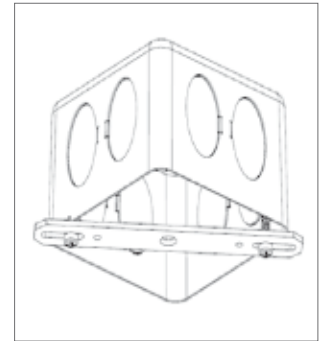


FIGURE 3

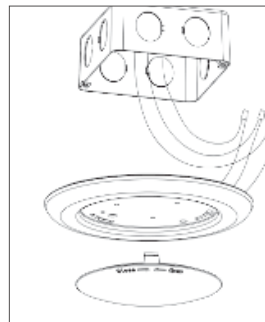


FIGURE 4

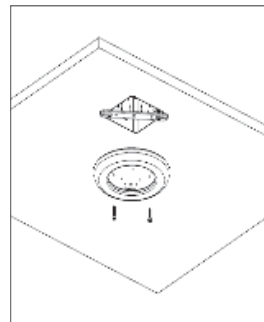


FIGURE 5

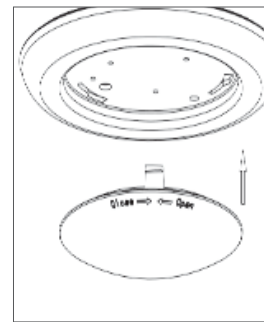


FIGURE 6

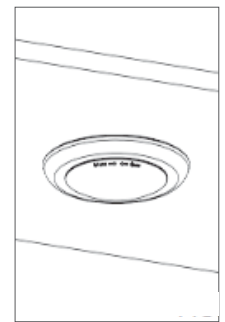


FIGURE 7

SAVE THESE INSTRUCTIONS

