



RoHS
Compliant



IMPORTANT SAFETY PRECAUTIONS

Before you begin, read these instructions completely and carefully.

- Be certain electrical power is OFF before and during installation, maintenance and removal.
- Luminaire wiring must be properly grounded in accordance with the NEC and any applicable local code requirements.
- Use only UL or IEC approved wire for input/output connections.
- Verify that supply voltage matches voltage on luminaire label. Installation to any other connection may void the warranty.
- Wear gloves during installation to prevent injury and do not expose wiring to metal or sharp edges.
- Do not install in areas subject to combustible vapors or gases. Verify luminaire location ratings are suitable for installation environment (refer to specification sheet as needed).
- Do not restrict luminaire's ventilation by covering with material that will cause luminaire to overheat and potentially shorten the life span.
- Ensure LED luminaire has the correct polarity before installation.

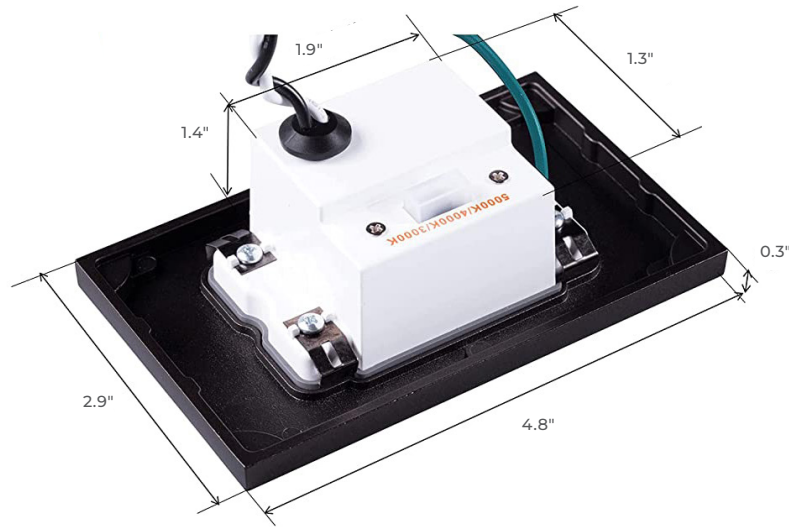


WARNING: To reduce the risk of personal injury or property damage from fire, electrical shock, falling parts, abrasions, burns and all other hazards, read all provided warnings and follow installation instructions.

This product should be installed, inspected and maintained by a qualified and licensed electrician. Installation of luminaire must be in accordance with NEC and local code requirements.

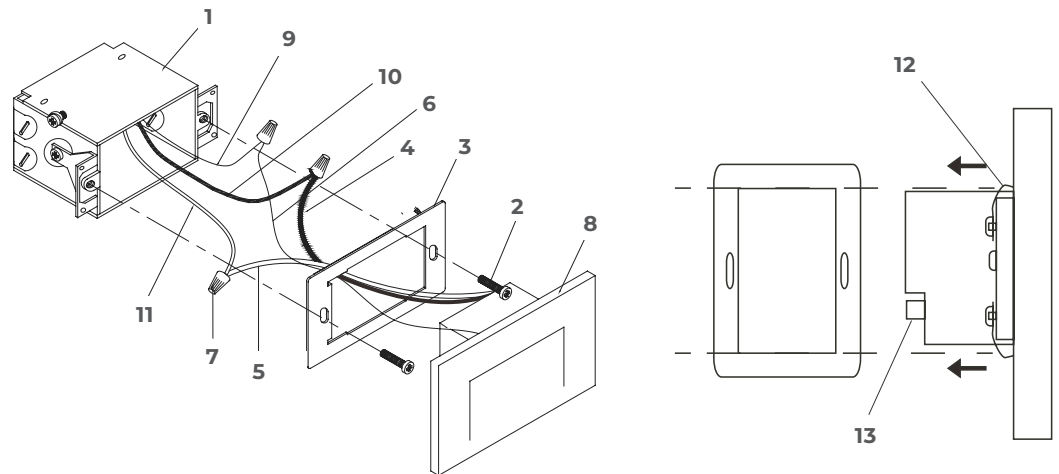
SAVE THESE INSTRUCTIONS

DIMENSIONS



FIXTURE PARTS

1. Outlet Box (Excluded)
2. Fixture Screws
 - 2pcs 8x32 and 2pcs 6x32 screws included
3. Mounting Bracket
4. Black Fixture Wire
5. White Fixture Wire
6. Fixture Ground Wire
7. Wire Nuts
8. Light Body Integrated with Face Cover
9. House Ground Wire
10. Live Wire
11. Neutral Wire
12. Spring Clip
13. 3CCT Switch



Junction Box for Indoor
Screws spaced 3-3/8 inch
Depth: 1-5/8 inch
Width: 2-1/8 inch
Length: 4 inch
Note: Junction Box
excluded in the package



Junction Box for Indoor
Screws spaced 3-3/8 inch
Depth: 2 inch
Width: 2-3/4 inch
Length: 4-5/8 inch
Note: Junction Box
excluded in the package

SAVE THESE INSTRUCTIONS

INSTALLATION INSTRUCTIONS

A) Fix the Mounting Bracket(3) to the Outlet Box(1) with provided Fixture Screws(2).

B) Pull the supply wires out from the Outlet Box(1). Identify the live wire, neutral wire, and ground wire. Then connect the Live Wire (10) with Black Wire(4), Neutral Wire(11) with White Wire(5), and Ground Wire(9) with Ground Wire(6) with the Wire Nuts(7) attached. Please make sure that all the wires are securely connected, using the sealed wire nuts to ensure stable performance.

C) Select the CCT by using the toggle switch on the back of the fixture. Refer to image on page 2.

Note: Be certain you have selected the desired CCT on all fixtures prior to installing. Once fixture is installed, removing it to change CCT may result in a damaged fixture.

D) Ensure the Mounting Bracket (3) is flush against the outlet box(1)'s surface. Press the Spring Clip(12) evenly into the Mounting Bracket(3) until all clips are securely connected to the Mounting Bracket(3)'s edge.

E) Installation Complete. 

For outdoor application: caulk the connection area between face cover and wall with outdoor rated sealant for stable performance.

TROUBLESHOOTING

- Check that line voltage is correct.
- Check all wiring connections.
- Check that fixture is grounded properly.
- Check switch to ensure that there are no defects.
- Check fuse/circuit breaker for trips.

CLEANING AND MAINTENANCE

- CAUTION: Ensure fixture is cool to touch.
- DO NOT clean or perform maintenance while fixture is turned on.
- Clean lens and fixture with non-abrasive cleaning solution.
- Do not open fixture to clean LED. Do not touch the LED chips.
- Do not spray liquid directly on to LED chips, LED driver, or wiring.

SAVE THESE INSTRUCTIONS

3