



IMPORTANT SAFETY PRECAUTIONS

Before you begin, read these instructions completely and carefully.

- Be certain electrical power is OFF before and during installation, maintenance and removal.
- Fan wiring must be properly grounded in accordance with the NEC and any applicable local code requirements.
- Use only UL or IEC approved wire for input/output connections.
- Verify that supply voltage matches voltage on fan label. Installation to any other connection may void the warranty.
- Wear gloves during installation to prevent injury and do not expose wiring to metal or sharp edges.



WARNING: To reduce the risk of fire, electrical shock, or personal injury, mount this fan to an outlet box marked "Acceptable for Fan Support of 22.7kg (50lbs)" or less and use Mounting Screws provided with the outlet box. CAUTION: Install the primary mounting means and use only the hardware provided with the fan.

To reduce the risk of personal injury, do not bend the blade brackets when installing the brackets, balancing the blades or clearing the fan. Be careful not to insert foreign objects in between rotating fan blades.

To reduce the risk of fire or electrical shock, do not use this fan with any solid-state speed control device.



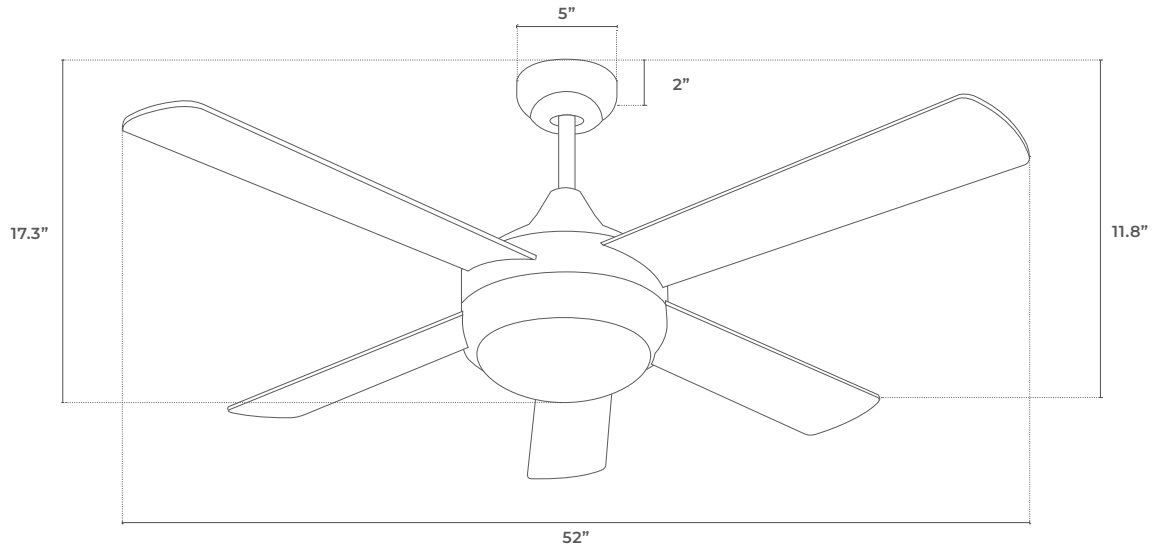
The important safeguards and instructions appearing in this manual are not meant to cover all possible conditions and situations that may occur. It must be understood that common sense, caution and careful attention to detail are factors which cannot be built into this product. These factors must be supplied by the person or persons installing, caring for, and operating the unit.

This product should be installed, inspected and maintained by a qualified and licensed electrician. Installation of luminaire must be in accordance with NEC and local code requirements.

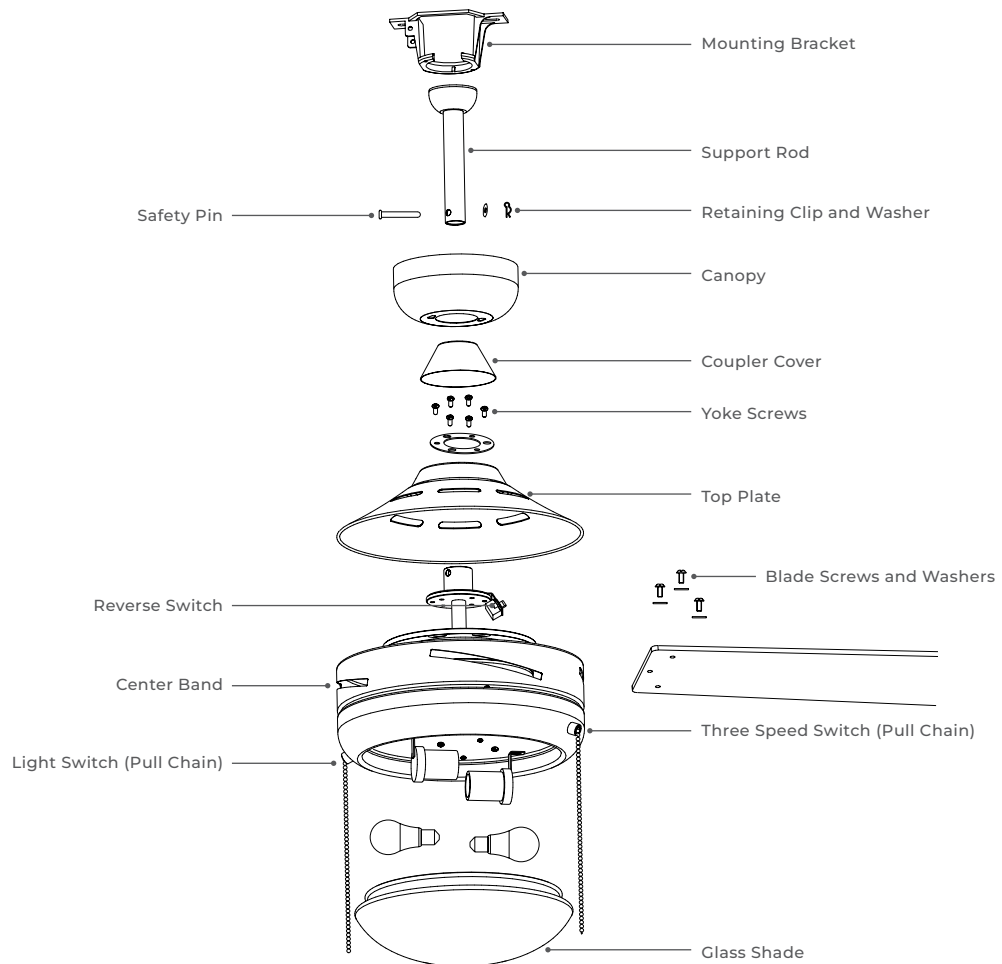
SAVE THESE INSTRUCTIONS



DIMENSIONS



PRODUCT PARTS

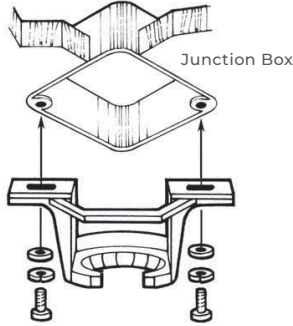


SAVE THESE INSTRUCTIONS

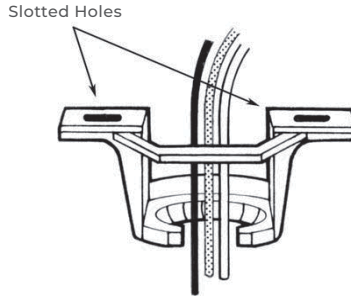


MOUNTING BRACKET INSTALLATION

A) Install the mounting bracket onto the electrical junction box in the ceiling using two machine screws, two washers and two lock washers.



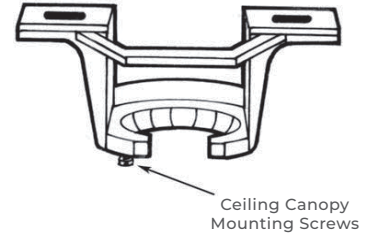
B) The mounting bracket has slotted holes to enable it to move sideways for proper alignment. Make sure the mounting bracket is centered over the electrical junction box and that it is securely attached.



NO MOVEMENT SHOULD OCCUR BETWEEN THE MOUNTING BRACKET AND THE ELECTRICAL JUNCTION BOX.

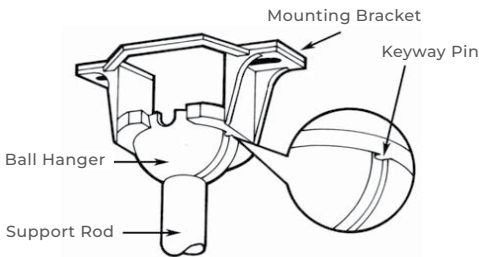
Pull the electrical wires in the junction box down and through the mounting bracket.

C) Loosen the two canopy mounting screws on the downside face of the mounting bracket. Back them out about half way. This will allow for easier installation of the ceiling canopy later.

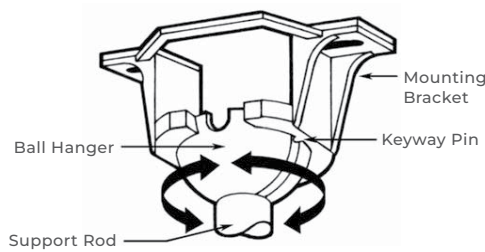


FAN BODY INSTALLATION

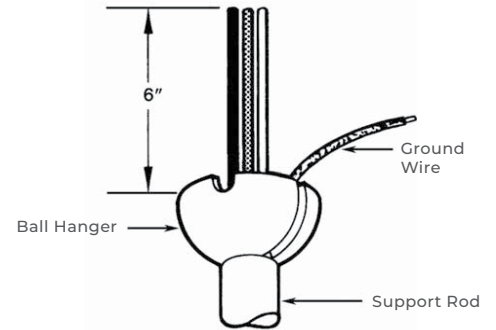
A) Notice the half ball on the end of the support rod is grooved down one side. This keyway fits over the small keyway pin on the inside of the mounting bracket and keeps the ceiling fan from spinning on the mounting bracket.



B) Lift the fan and place the half ball in the center of the mounting bracket with the keyway pin inserted into the keyway on the ball. Turn the fan left and right slightly to make sure it is seated on the bracket with the keyway pin in the key way.

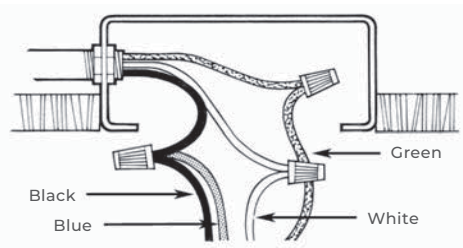


C) Trim the lead wires, leaving about six inches of each wire extending from the support rod.

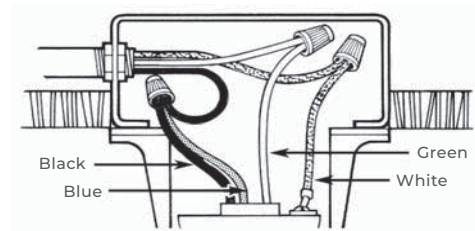


ELECTRICAL CONNECTIONS

A) Attach the GREEN wire (connected to the half ball) to the GROUND wire in the junction box. The GROUND wire is a bare copper wire without plastic insulation. Attached the BLACK wire and BLUE wire from the ceiling fan to the BLACK wire in the junction box. Attach the WHITE wire from the ceiling fan to the WHITE wire in the junction box.



B) Fold the connected wires push them up inside the electrical junction box with the BLACK and BLUE wires to one side and the WHITE and GREEN to the other side. Make sure the wire nuts do not come loose during operation.

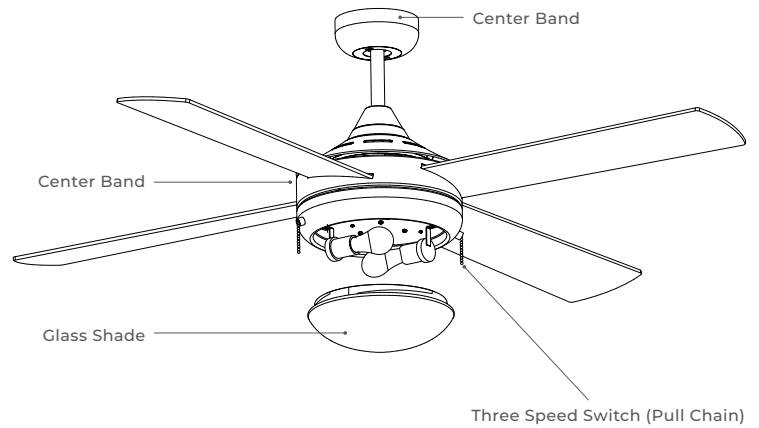
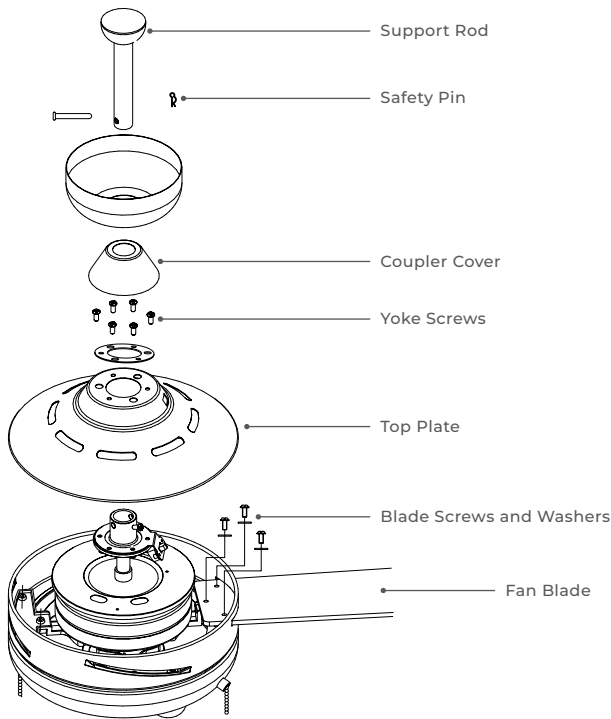


SAVE THESE INSTRUCTIONS



LAMP & GLASS SHADE INSTALLATION

- A)** Remove six screws from yoke cover and lift yoke cover set aside, remove three screws from top plate located on the motor yoke. Lift top plate and set aside. Locate 12pcs blade attachment screws and washers with figures. Tighten securely with a Phillips screwdriver. Repeat for the remaining blades.
- B)** Reattach to plate to motor yoke and install it by aligning the key slot holes on the motor yoke using previously removed screws.
- C)** Loosen the set screws (2) in the support rod coupler until the inside of the channel is clear of the screw tip.
- D)** Remove and save the safety pin and washer on end of the support rod assembly.
- E)** Slide the ceiling canopy onto the support rod, followed by the support rod coupler cover.
- F)** Feed the electrical wires from the fan housing through the support rod.
- G)** Thread the support rod into the coupler until the safety pin can be inserted through the hole in both the rod and coupler.
- H)** Insert the safety pin through the hole in the support rod coupler and support rod then attach washer into safety pin and the retaining clip on the other side.
- I)** Tighten both set screws and safety screw on the support rod coupler.
- J)** Place lamp into the socket on the light kit and then place glass shade onto the light kit and rotate until secure.



SAVE THESE INSTRUCTIONS

