



### IMPORTANT SAFETY PRECAUTIONS

Before you begin, read these instructions completely and carefully.

- Be certain electrical power is OFF before and during installation, maintenance and removal.
- Luminaire wiring must be properly grounded in accordance with the NEC and any applicable local code requirements.
- Use only UL or IEC approved wire for input/output connections.
- Verify that supply voltage matches voltage on luminaire label. Installation to any other connection may void the warranty.
- Wear gloves during installation to prevent injury and do not expose wiring to metal or sharp edges.
- Do not install in areas subject to combustible vapors or gases. Verify luminaire location ratings are suitable for installation environment (refer to specification sheet as needed).
- Do not restrict luminaire's ventilation by covering with material that will cause luminaire to overheat and potentially shorten the life span.
- Ensure LED luminaire has the correct polarity before installation.
- Lynx Linear Lighting is not liable for damages resulting from improper or faulty installation or operation or unauthorized modifications to the luminaire.
- Electrostatic discharge can damage the LED tapelight.
- Do not touch or clean the LEDs.
- Not suitable for covering with thermally insulating material.



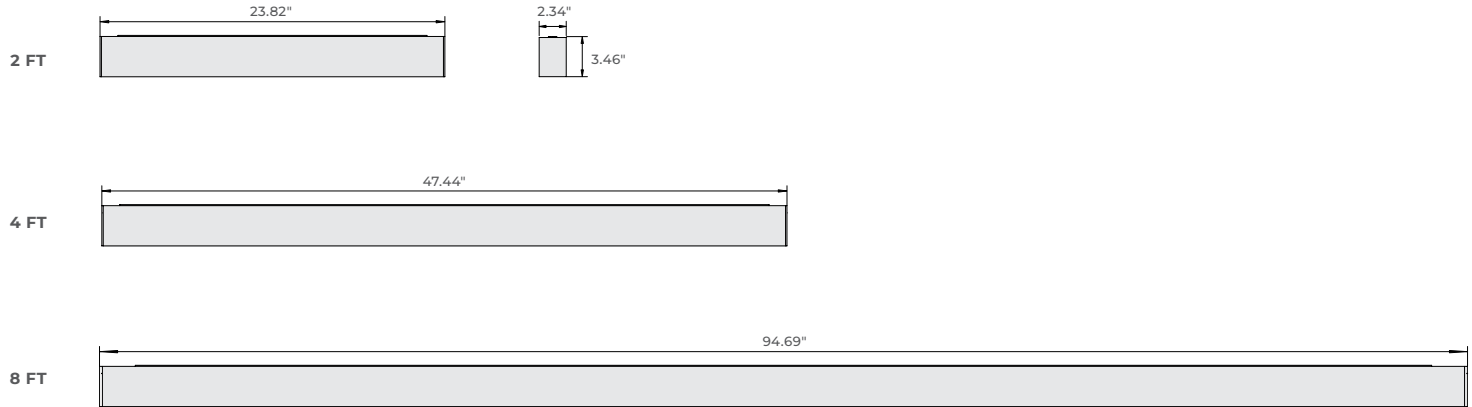
**WARNING:** To reduce the risk of personal injury or property damage from fire, electrical shock, falling parts, abrasions, burns and all other hazards, read all provided warnings and follow installation instructions.

This product should be installed, inspected and maintained by a qualified and licensed electrician. Installation of luminaire must be in accordance with NEC and local code requirements.


**SAVE THESE INSTRUCTIONS**



**DIMENSIONS**



**WALL MOUNT INSTALLATION INSTRUCTIONS - SINGLE FIXTURE**

- 1) Prior to installation, take off the end cap and LED module, and thread the power cord out of the housing as shown. Make connections and secure LED module and end cap back in place. (Figure 1-1)
- 2) Prep mounting surface as shown in Figure 1-2.
- 3) Insert anchor "G" into hole and secure the mounting bracket "K" with screw "I" (Figure 1-3)
- 4) Mount the square cover plate D onto junction box with screw "H", then plastering. (Figure 1-3)
- 5) Make wiring connections. Insert AC wires, dimming wires, and ground wire into the male quick connector "E" (Figure 1-4)
- 6) Make connection between male and female quick connects. Hide all wires in the junction box. (Figure 1-4)
- 7) Secure fixture to wall using screw "J" (Figure 1-5)
- 8) Installation is complete. (Figure 1-6) 

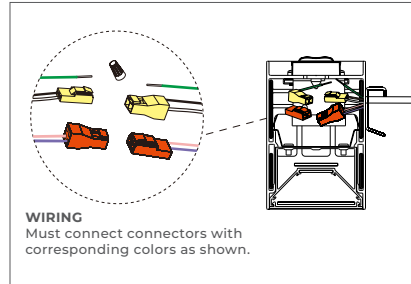


FIGURE 1-1

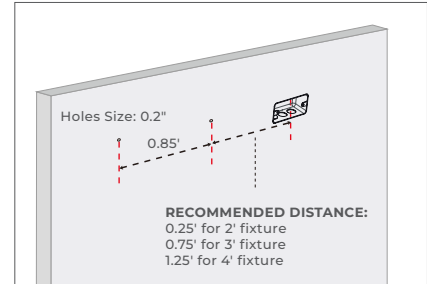


FIGURE 1-2

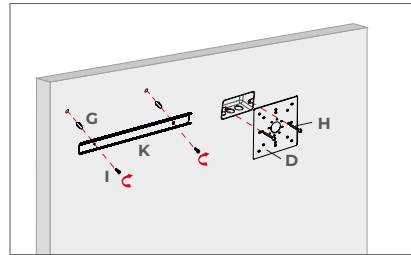


FIGURE 1-3

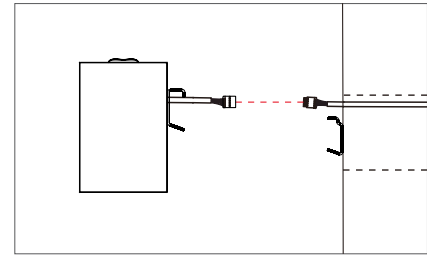


FIGURE 1-4

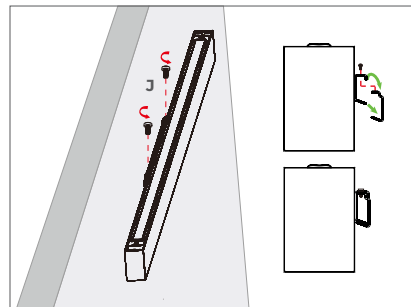


FIGURE 1-5

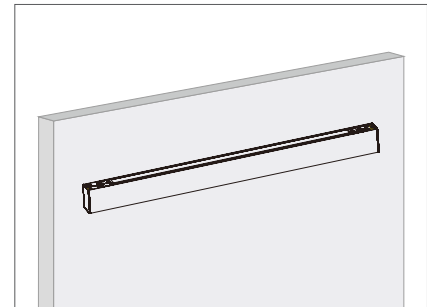


FIGURE 1-6

**SAVE THESE INSTRUCTIONS**



**WALL MOUNT INSTALLATION INSTRUCTIONS - CONTINUOUS RUN**

- 1) Prior to installation, disassemble luminaires.
  - I. For Start-of-Run, remove the end cap without the power cord. Insert the joiner and secure with screw. (Figure 2-1)
  - II. For Middle-of-Run, remove both end caps. Insert the joiner and secure with screw. (Figure 2-2)
  - III. For End-of-Run, remove the end cap with the power cord. Insert the joiner and secure with screw. (Figure 2-3)

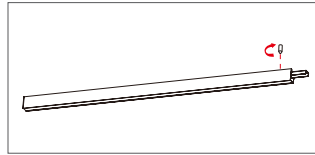


FIGURE 2-1

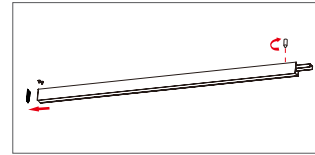


FIGURE 2-2

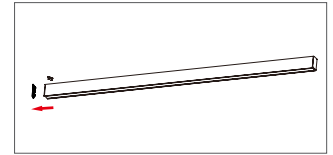


FIGURE 2-3

- 2) Prep mounting surface as shown. (Figure 2-4)

- 3) Install plate and bracket from Start-of-Run to End-of-Run (Figure 2-5)

- 4) Make wiring connections. Insert AC wires, dimming wires, and ground wire into the male quick connector "E" (Figure 2-6)

- 5) Make connection between male and female quick connects. Hide all wires in the junction box. (Figure 2-6)

- 6) Secure fixture to wall using screw "J" (Figure 2-7)

- 7) Repeat steps for each fixture. (Figure 2-8)

- 8) Installation is complete. (Figure 2-9)

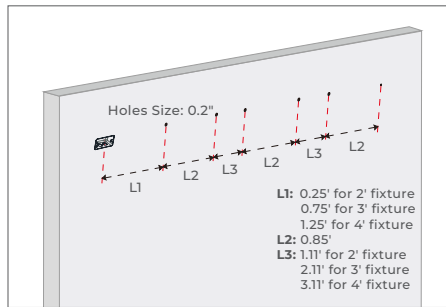


FIGURE 2-4

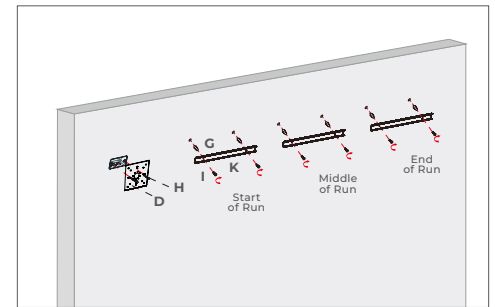


FIGURE 2-5

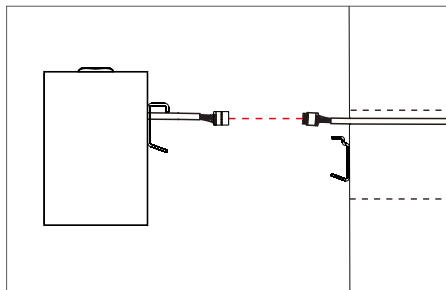


FIGURE 2-6

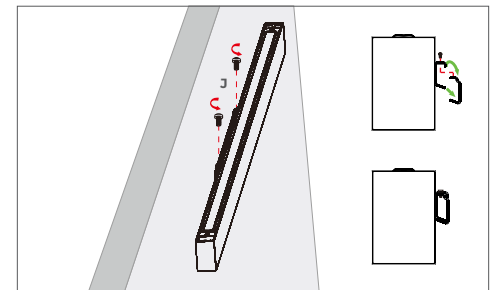


FIGURE 2-7

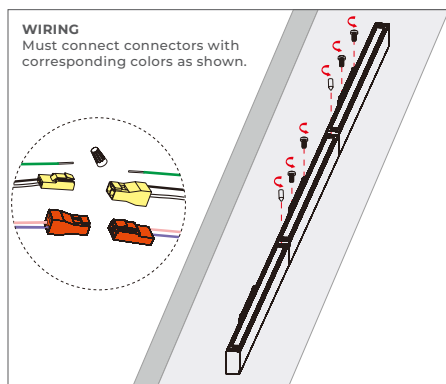


FIGURE 2-8

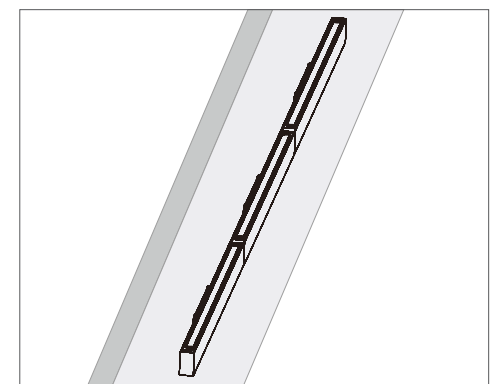


FIGURE 2-9

**SAVE THESE INSTRUCTIONS**





**PENDANT MOUNT INSTALLATION INSTRUCTIONS - SINGLE FIXTURE**

1) Prior to installation, take off the end cap, insert the cord holder into the power cord feed as shown in Figure 3-1.

2) Take off LED module, thread the power cord into the cord feed as shown in Figure 3-2.

3) Make wiring connections as shown in Figure 3-3

4) Secure the power cord with holder nut, remount LED modules and end cap. (Figure 3-4)

5) To install, screw aircraft cables clockwise onto top of fixture housing. (Figure 3-5)

Note: To adjust the height of the luminaire: To shorten, pull cable through gripper. To lengthen, depress the top cylinder on the gripper.

6) Use the cable tie to fix the aircraft cable and power cord together. (Figure 3-6)

7) Installation is complete. 

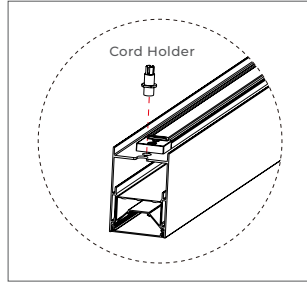


FIGURE 3-1

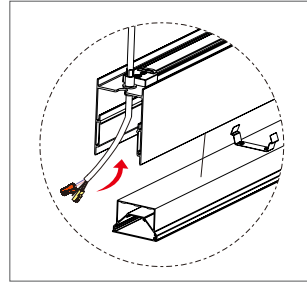


FIGURE 3-2

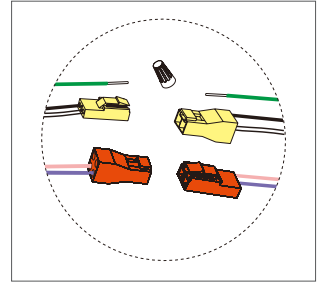


FIGURE 3-3

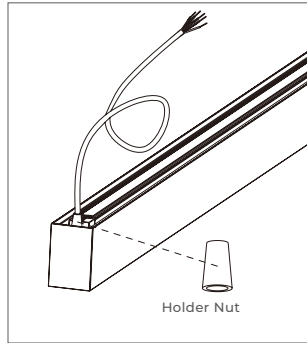


FIGURE 3-4

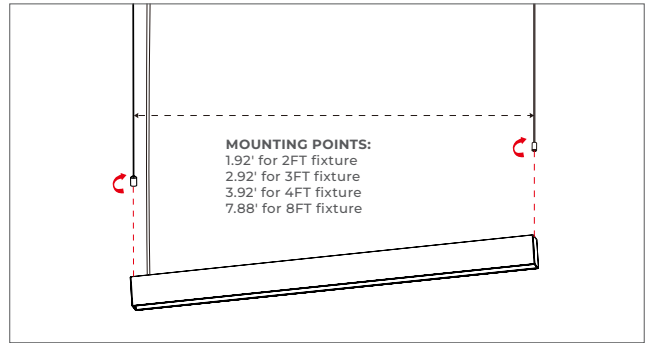


FIGURE 3-5

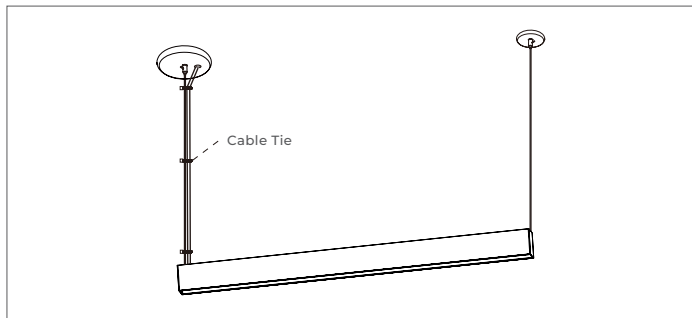


FIGURE 3-6

**SAVE THESE INSTRUCTIONS**



**PENDANT MOUNT INSTALLATION INSTRUCTIONS - CONTINUOUS RUN**

- 1) Prior to installation, disassemble luminaires.
  - I. For Start-of-Run, remove the end cap without the power cord and remove LED module. (Figure 4-1)
  - II. For Middle-of-Run, remove both end caps and LED module. (Figure 4-2)
  - III. For End-of-Run, remove the end cap with the power cord and LED module. (Figure 4-3)

2) Prep mounting surface as shown in Figure 4-4.

3) Hang luminaire. Insert the joiner into luminaire from one side and secure with screws. Screw aircraft cables clockwise onto top of fixture housing. (Figure 4-5)

**NOTE:** To adjust the height of the luminaire: To shorten, pull cable through gripper. To lengthen, depress the top cylinder on the gripper.

4) Repeat steps for each fixture. Use zip tie to fix the aircraft cable to the power cord. Make connections using quick connectors. Insert all LED modules in the housing from Start-of-Run to End-of-Run. (Figure 4-6)

5) Installation is complete. (Figure 4-7)

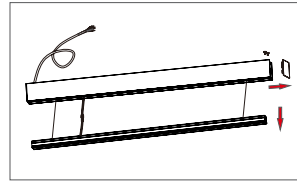


FIGURE 4-1

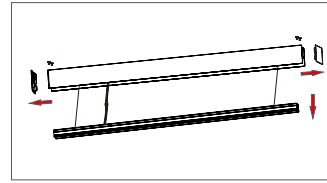


FIGURE 4-2

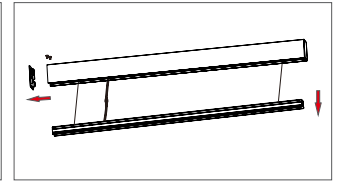


FIGURE 4-3

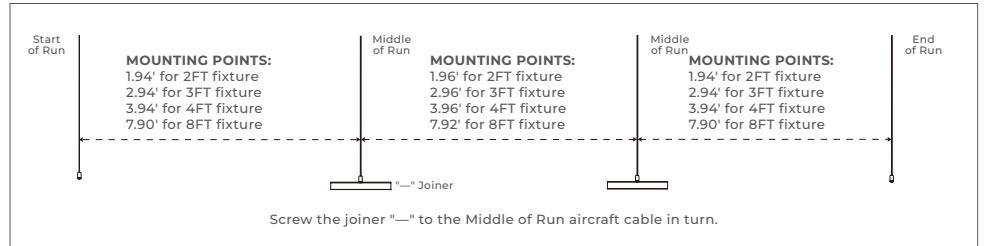


FIGURE 4-4

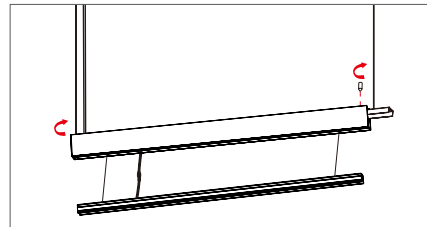


FIGURE 4-5

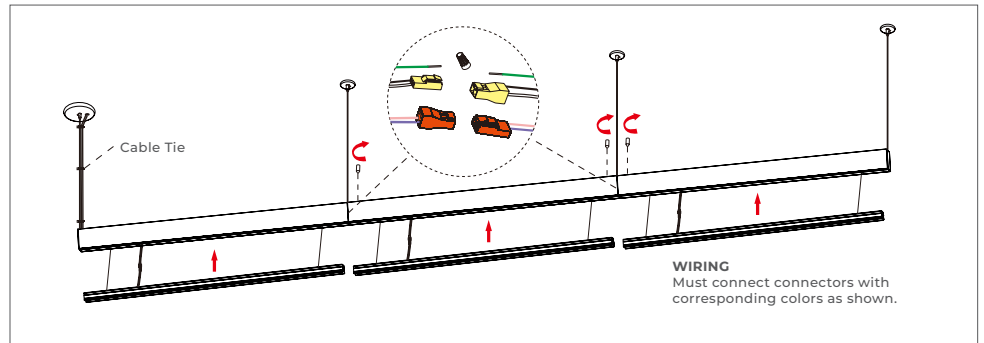


FIGURE 4-6

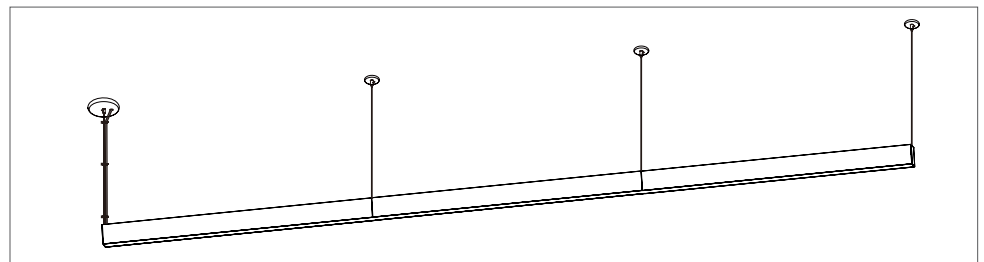


FIGURE 4-7

**SAVE THESE INSTRUCTIONS**



**SURFACE MOUNT INSTALLATION INSTRUCTIONS - SINGLE FIXTURE**

1) Prior to installation, take off the end cap and LED module, and thread the power cord out of the housing as shown. Make connections and secure end cap back in place. (Figure 5-1)

2) Prep mounting surface as shown in Figure 5-2.


3) Cover the junction box with mounting plate "D" and secure using screw "C", followed by plaster. (Figure 5-3)

4) Plug in male and female connectors together, hide all wires in the junction box. (Figure 5-3)

5) Secure the housing to the ceiling using the butterfly drywall anchor "A". (Figure 5-4)

**NOTE:** Secure the housing with anchor "G" and screws "I" if mounting to cement. If wooden ceiling, secure using "I" screws.

6) Press LED module into housing. (Figure 5-4)

7) Installation is complete. (Figure 5-5) 

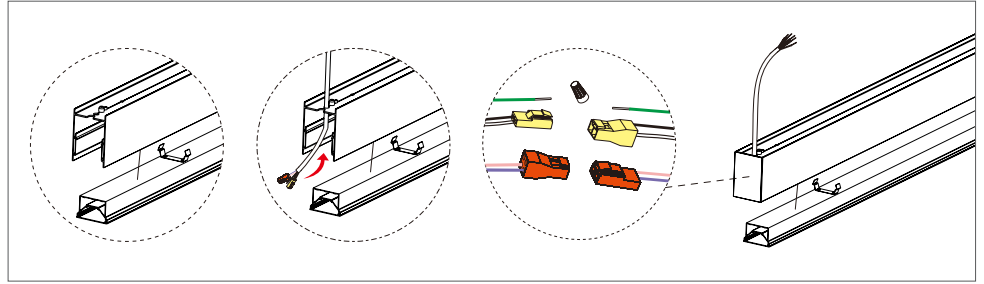


FIGURE 5-1

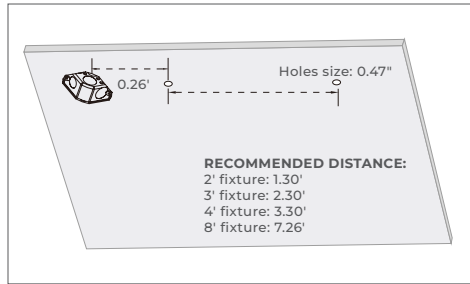


FIGURE 5-2

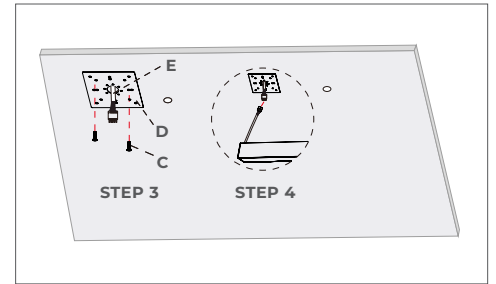


FIGURE 5-3

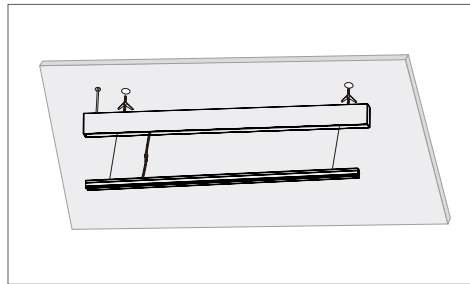


FIGURE 5-4

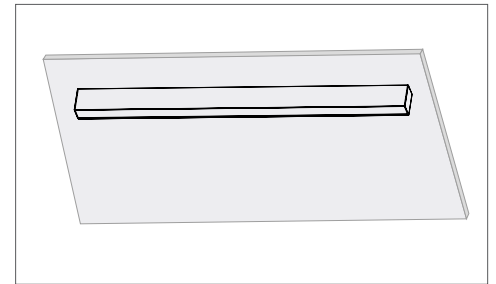



FIGURE 5-5

**SAVE THESE INSTRUCTIONS**



**SURFACE MOUNT INSTALLATION INSTRUCTIONS - CONTINUOUS RUN**

- 1) Prior to installation, disassemble luminaires.
  - I. For Start-of-Run, remove the end cap without the power cord. Remove the LED module. (Figure 6-1)
  - II. For Middle-of-Run, remove both end caps, remove LED module. (Figure 6-2)
  - III. For End-of-Run, remove the end cap with the power cord and remove the LED module. (Figure 6-3)
- 2) Prep mounting surface as shown. (Figure 6-4)
- 3) Cover the junction box with mounting plate "D" and secure using screw "C," followed by plaster. (Figure 6-5)
- 4) Make wiring connections. Insert AC wires, dimming wires, and ground wire into the male quick connector "E" (Figure 6-5)
- 5) Make connection between male and female quick connects. Hide all wires in the junction box. (Figure 6-5)
- 6) Secure the housing to the ceiling using the butterfly drywall anchor "A" (Figure 6-6)
 

**NOTE:** Fix the housing with screws "I" if wooden frame ceiling. Fix the housing with anchor "C" and screws "J" if cement drywall.
- 7) Insert the joiner into the Start-of-Run fixture housing and secure using screws. (Figure 6-6)
- 8) Repeat for each fixture as shown in diagram below. (Figure 6-7)
- 9) Installation is complete. (Figure 6-8) 

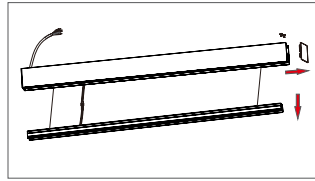


FIGURE 6-1

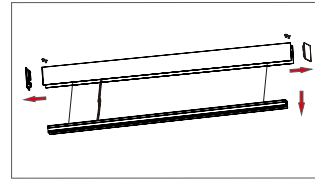


FIGURE 6-2

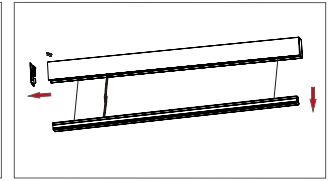


FIGURE 6-3

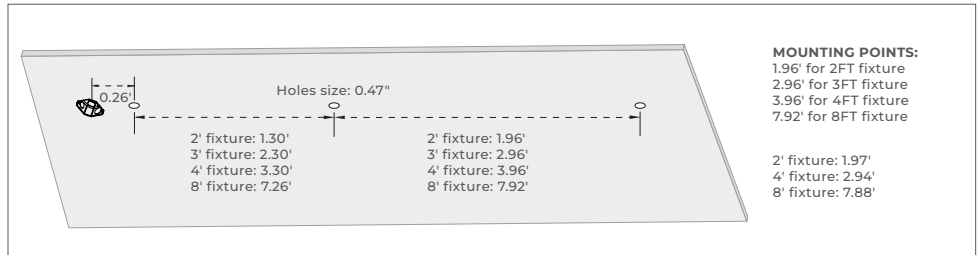


FIGURE 6-4

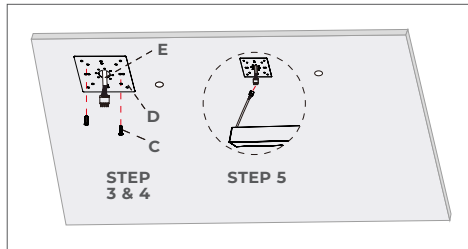


FIGURE 6-5

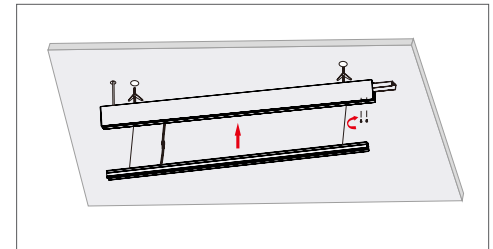


FIGURE 6-6

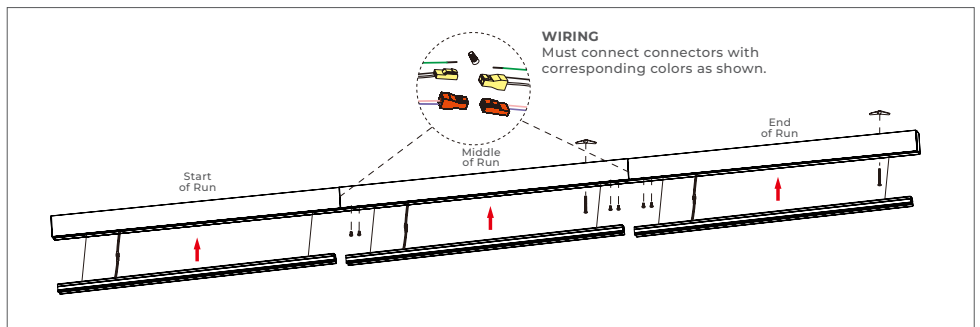


FIGURE 6-7

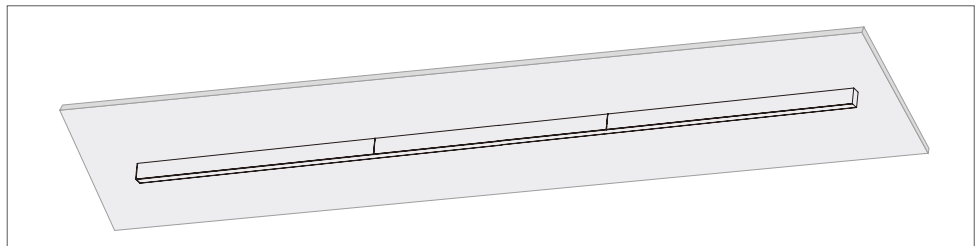


FIGURE 6-8

**SAVE THESE INSTRUCTIONS**

