



### IMPORTANT SAFETY PRECAUTIONS

Before you begin, read these instructions completely and carefully.

- Be certain electrical power is OFF before and during installation, maintenance and removal.
- Luminaire wiring must be properly grounded in accordance with the NEC and any applicable local code requirements.
- Use only UL or IEC approved wire for input/output connections.
- Verify that supply voltage matches voltage on luminaire label. Installation to any other connection may void the warranty.
- Wear gloves during installation to prevent injury and do not expose wiring to metal or sharp edges.
- Do not install in areas subject to combustible vapors or gases. Verify luminaire location ratings are suitable for installation environment (refer to specification sheet as needed).
- Do not restrict luminaire's ventilation by covering with material that will cause luminaire to overheat and potentially shorten the life span.



**WARNING:** To reduce the risk of personal injury or property damage from fire, electrical shock, falling parts, abrasions, burns and all other hazards, read all provided warnings and follow installation instructions.

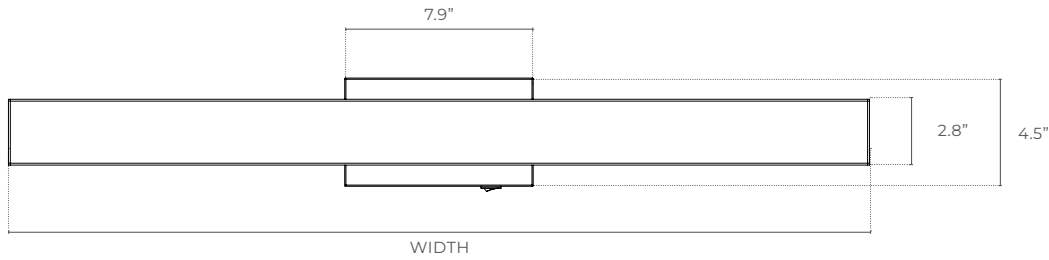
This product should be installed, inspected and maintained by a qualified and licensed electrician. Installation of luminaire must be in accordance with NEC and local code requirements.

**SAVE THESE INSTRUCTIONS**

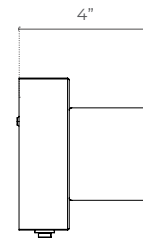


## DIMENSIONS

Front View




Side View

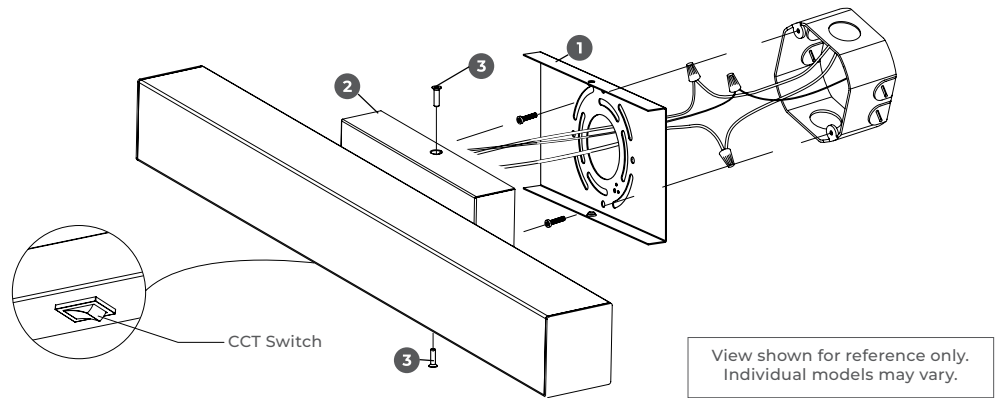


## PREPARING FOR INSTALLATION

- A) Disconnect electrical power at fuse or circuit breaker box before installing or servicing any part of this fixture.
- B) Carefully remove the fixture from the carton and check that all parts are included as shown in figure.

## INSTALLATION INSTRUCTIONS

- A) Connect the power source ground wire to the green or bare copper wire from the fixture assembly.
- B) Using wire nuts (provided), connect white supply wire to white driver lead wire. Connect black supply wire to black driver lead wire. **Do not mix wires.** Pull on each wire lead to make sure connections are secure. Ensure no bare wires are exposed outside of wire connectors.
- C) Tuck all connections and wire nuts neatly into junction box (not included).
- D) Fasten mounting bracket plate channel (1) securely to wall and junction box with junction box screws.
- E) Install the fixture housing (2) to the plate mounting channel (1) by sliding the slots in the housing over the screw holes in the channel. Tighten the screws (3) to secure the fixture housing to the plate mounting channel (1).
- F) Turn power on and adjust CCT switch on the side of the fixture housing to the desired color temperature.
- G) Installation complete. 



**SAVE THESE INSTRUCTIONS**

