



RoHS  
Compliant



### IMPORTANT SAFETY PRECAUTIONS

**Before you begin, read these instructions completely and carefully.**

- Be certain electrical power is OFF before and during installation, maintenance and removal.
- Luminaire wiring must be properly grounded in accordance with the NEC and any applicable local code requirements.
- Use only UL or IEC approved wire for input/output connections.
- Verify that supply voltage matches voltage on luminaire label. Installation to any other connection may void the warranty.
- Wear gloves during installation to prevent injury and do not expose wiring to metal or sharp edges.
- Do not install in areas subject to combustible vapors or gases. Verify luminaire location ratings are suitable for installation environment (refer to specification sheet as needed).
- Do not restrict luminaire's ventilation by covering with material that will cause luminaire to overheat and potentially shorten the life span.
- Ensure LED luminaire has the correct polarity before installation.



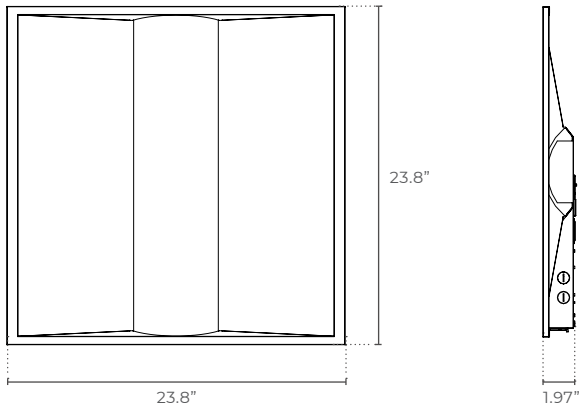
**WARNING:** To reduce the risk of personal injury or property damage from fire, electrical shock, falling parts, abrasions, burns and all other hazards, read all provided warnings and follow installation instructions.

This product should be installed, inspected and maintained by a qualified and licensed electrician. Installation of luminaire must be in accordance with NEC and local code requirements.

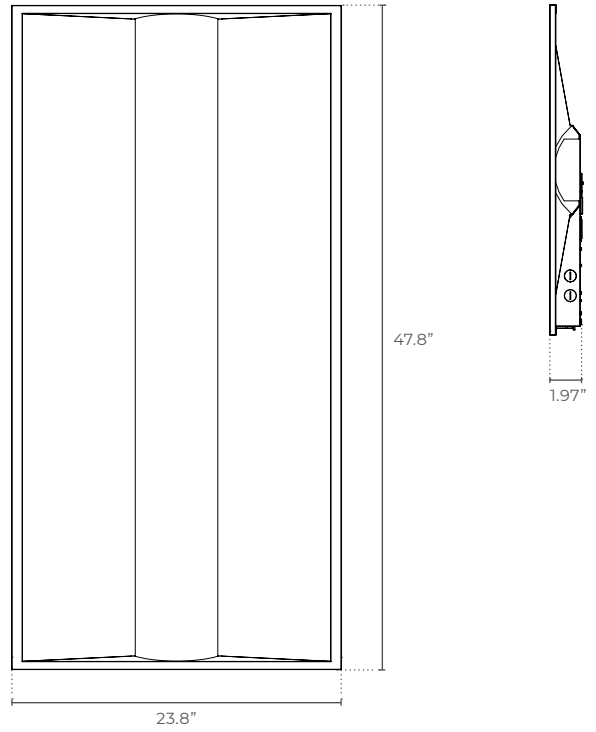
**SAVE THESE INSTRUCTIONS**

**DIMENSIONS**

2X2

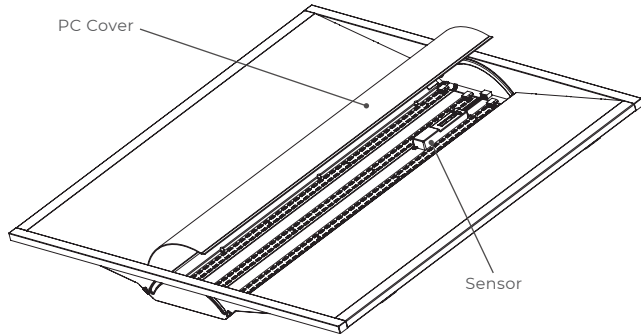


2X4

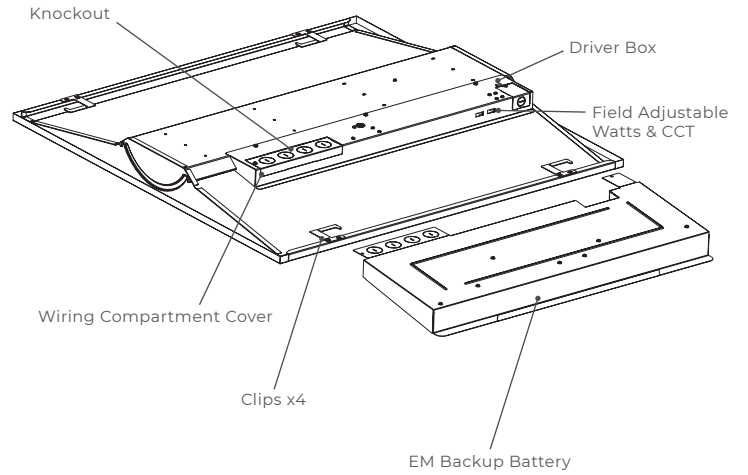


**COMPONENTS**

Front



Back



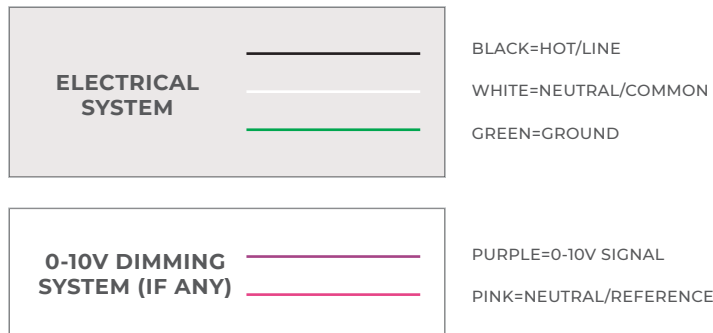
**SAVE THESE INSTRUCTIONS**

**RECESSED T-BAR INSTALLATION INSTRUCTIONS**

- A) T-bar center distance generally goes as 23.86" x 23.86" \ 47.83" x 23.86" \ 47.83" x 11.97".
- B) Loosen the screw on top of the driver box with screwdriver. Insert a screwdriver into the rectangular groove on knockout, pull in the right or left direction until the knockout comes off enabling you to proceed with the wiring connections.
- C) Through the conduit the power feed is connected to the wiring terminal; make sure the connection is solid and reliable.
- D) After the power is connected, install the screws back to its wiring compartment cover.
- E) Select the watts or CCT by dip-switch. Energize light to test wire connections.
- F) Insert the LED fixture between the grid and put it on the T-shaped keel, then rotate the earthquake clips on the four corners 90°, and hang it above the keel to protect the fixture from the vibration.

**WIRING DIAGRAM**

- A) Wire input end of the LED driver to supply wires using connector according to wiring section. Wire connections must be insulated.
- B) Connect the BLACK lead to LINE (+) supply lead.
- C) Connect the WHITE lead to NEUTRAL/COMMON (-) supply lead.
- D) Connect the GREEN lead to GROUND supply lead.
- E) If any, connect PURPLE to 0-10V SIGNAL supply lead and PINK to 0-10V NEUTRAL/REFERENCE supply lead.



**SAVE THESE INSTRUCTIONS**