



## IMPORTANT SAFETY PRECAUTIONS

Before you begin, read these instructions completely and carefully.

- Be certain electrical power is OFF before and during installation, maintenance and removal.
- Fan wiring must be properly grounded in accordance with the NEC and any applicable local code requirements.
- Use only UL or IEC approved wire for input/output connections.
- Verify that supply voltage matches voltage on fan label. Installation to any other connection may void the warranty.
- Wear gloves during installation to prevent injury and do not expose wiring to metal or sharp edges.



**WARNING:** To reduce the risk of fire, electrical shock, or personal injury, mount this fan to an outlet box marked "Acceptable for Fan Support of 22.7kg (50lbs)" or less and use Mounting Screws provided with the outlet box. CAUTION: Install the primary mounting means and use only the hardware provided with the fan.

To reduce the risk of personal injury, do not bend the blade brackets when installing the brackets, balancing the blades or clearing the fan. Be careful not to insert foreign objects in between rotating fan blades.

To reduce the risk of fire or electrical shock, do not use this fan with any solid-state speed control device.



The important safeguards and instructions appearing in this manual are not meant to cover all possible conditions and situations that may occur. It must be understood that common sense, caution and careful attention to detail are factors which cannot be built into this product. These factors must be supplied by the person or persons installing, caring for, and operating the unit.

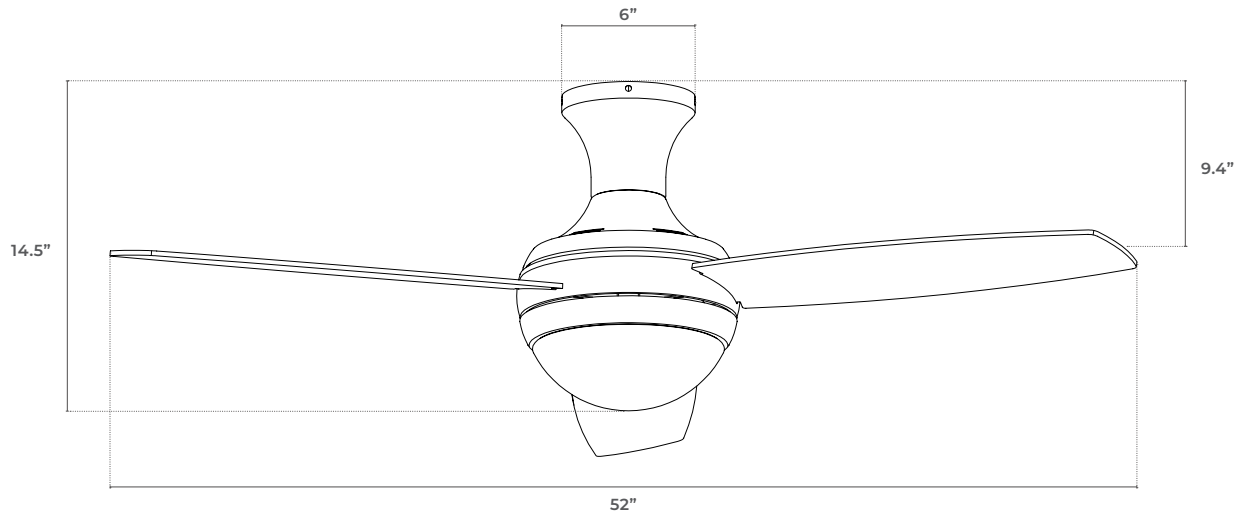


This product should be installed, inspected and maintained by a qualified and licensed electrician. Installation of luminaire must be in accordance with NEC and local code requirements.

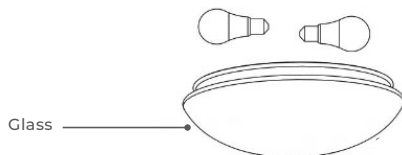
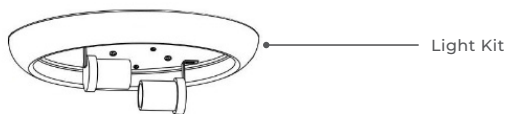
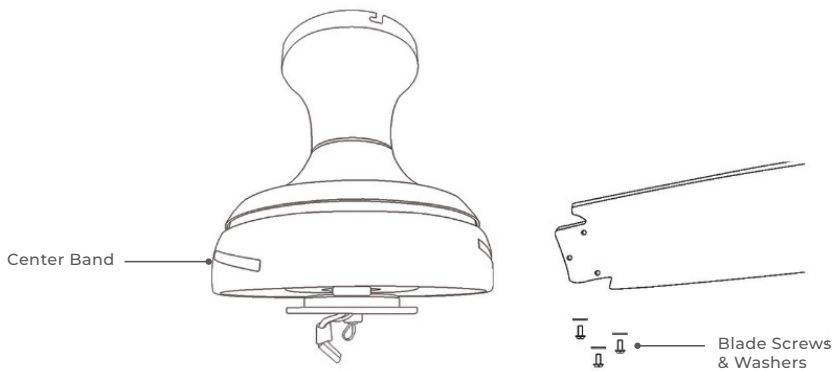
**SAVE THESE INSTRUCTIONS**



**DIMENSIONS**



**PRODUCT PARTS**



**TOOLS NEEDED**

- Philips Screw Driver
- Flathead Screw Driver
- Wiring supplies as required by electrical code
- Step Ladder
- Wire Cutters

**SAVE THESE INSTRUCTIONS**



**INSTRUCTIONS**

The slide switch is for forward/reverse rotation.



In cold weather: Set to reverse rotation (clockwise). Airflow will be directed upward, circulating warm air.

In warm weather: Set to forward rotation (counter-clockwise). Airflow will be directed downward, circulating cold air.

**REMOTE CONTROL**

Install 9V battery (not included).

Operation Buttons:

- 1 - Fan Speed - High
- 2 - Fan Speed - Medium
- 3 - Fan Speed - Low
-  - Light On/Off
-  - Light Dimmer

**NOTE:** Hold down to increase or decrease the light. The light has a memory function so the light will stay at the same brightness as the last time it was turned off.

**WALL CONTROL**

Speed Control:

- 0 - Off
- H - High Speed
- M - Medium Speed
- L - Low Speed

Light Control:

- O - Light On
- I - Light Off

**NOTE:** Set pull chain to high speed before using the wall control. You can now use your speed control to select any of the 3-speeds plus OFF.

**WALL CONTROL INSTALLATION INSTRUCTIONS**

**A)** Disconnect power and remove the existing wall plate and switch.

**B)** Set all knobs on the 3WC dual slide wall-mounted control in the OFF position. Installation of this control requires that a three conductor cable with ground wire be run between the control wall box and the ceiling fan outlet box.

**C)** Make wiring connections and secure with provided wire nuts. (Figure 1)

- Connect the Black (live) wire from the power supply to the Black wire "AC IN L" from the wall-mounted control.
- Connect the White (neutral) wire from the power supply to the White wire "TO MOTOR N" from the fan motor assembly.
- Connect the Black wire from ceiling fan to the Black wire "TO MOTOR L" from the wall-mounted control.
- Connect the Blue wire from ceiling fan to the Blue wire "FOR LIGHT" from the wall-mounted control.
- Connect the ground conductor of the 120-VOLT supply (this may be a bare wire or a wire with green colored insulation) to the green ground lead(s) of the fan. There are two green grounding leads: one from the mounting bracket and one from the hanger ball/downrod assembly.
- Make sure to use wire nuts on all connections.

**D)** Secure the 3WC wall-mounted control to the electrical wall box with two screws provided. (Figure 2)

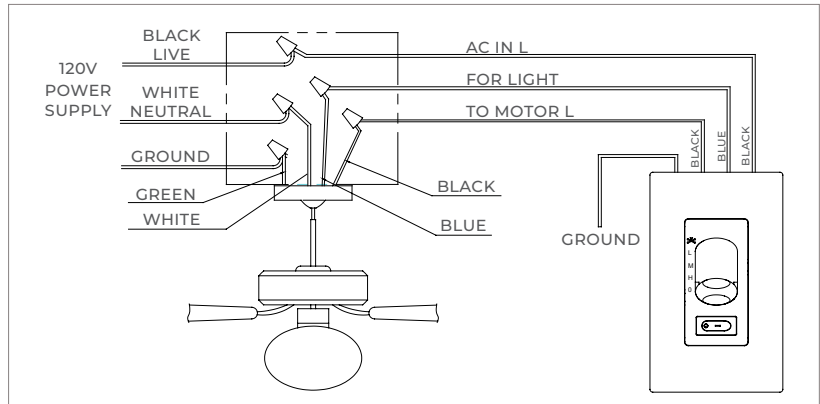


FIGURE 1

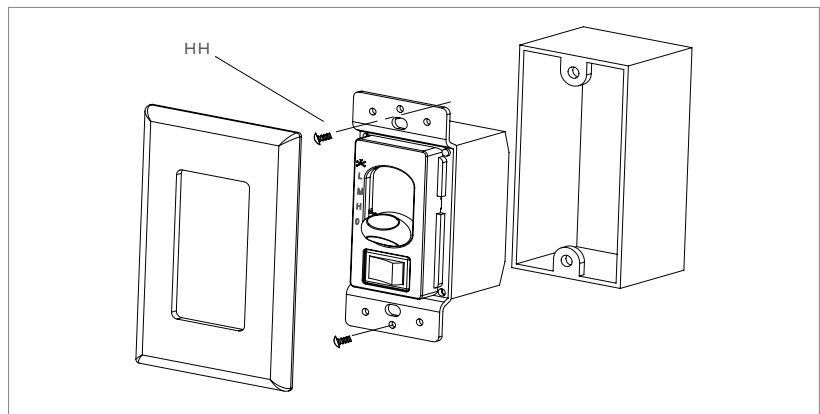


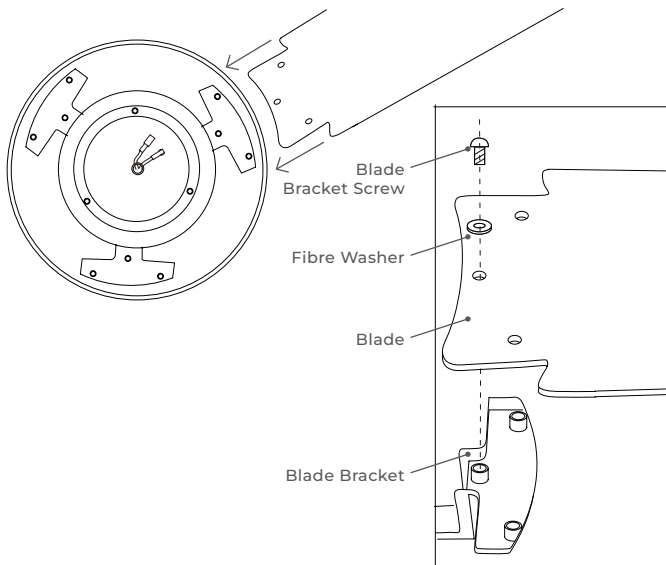
FIGURE 2

**SAVE THESE INSTRUCTIONS**



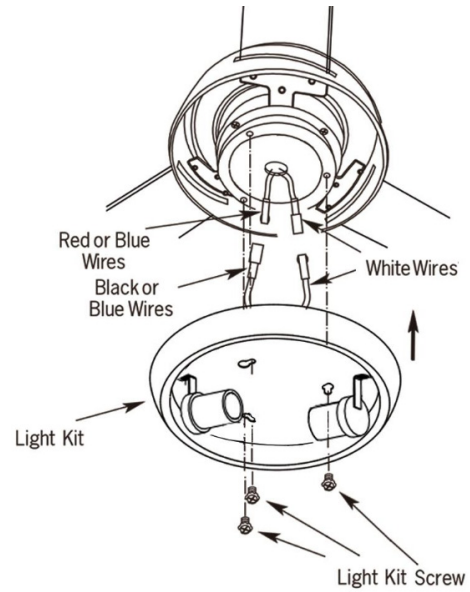
**FAN BODY INSTALLATION**

A) Attach the blades to the fan motor assembly using the screws and flat washers.



B) Connect polarized connectors of light kit to the corresponding connectors found in motor assembly.

C) Install the light kit to the fan motor assembly by tightening three screws.

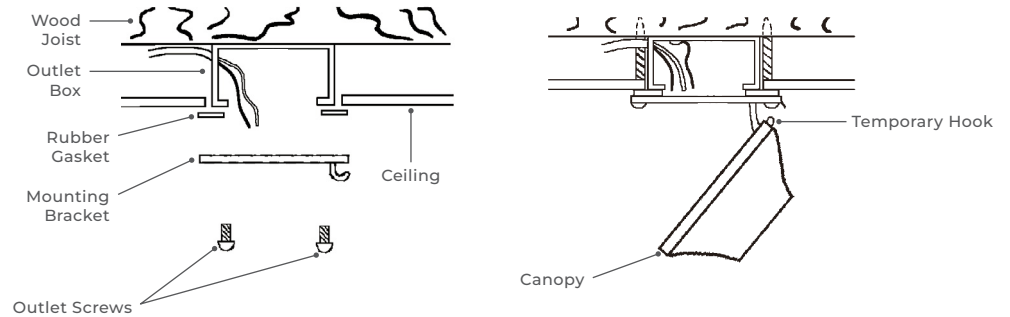


**MOUNTING BRACKET INSTALLATION**

A) Secure mounting bracket and rubber gaskets to outlets.

B) Hang fan on the temporary hook.

**WARNING:** To reduce the risk of fire, electric shock, or personal injury, mount to UL/CSA Listed outlet box marked acceptable for fan support and use mounting screws provided with the outlet box.



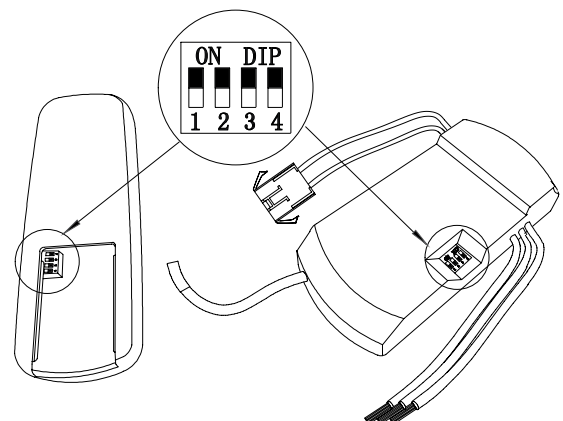
**ELECTRICAL CONNECTIONS**

A) Set the code on the hand-held remote and receiver so they are the same.

B) Remove the battery cover on the hand-held remote (press firmly below the arrow and slide the battery cover off.)

C) Set code switches to desired position.

D) Set the code switches to the same positions on the receiver as set on the remote.



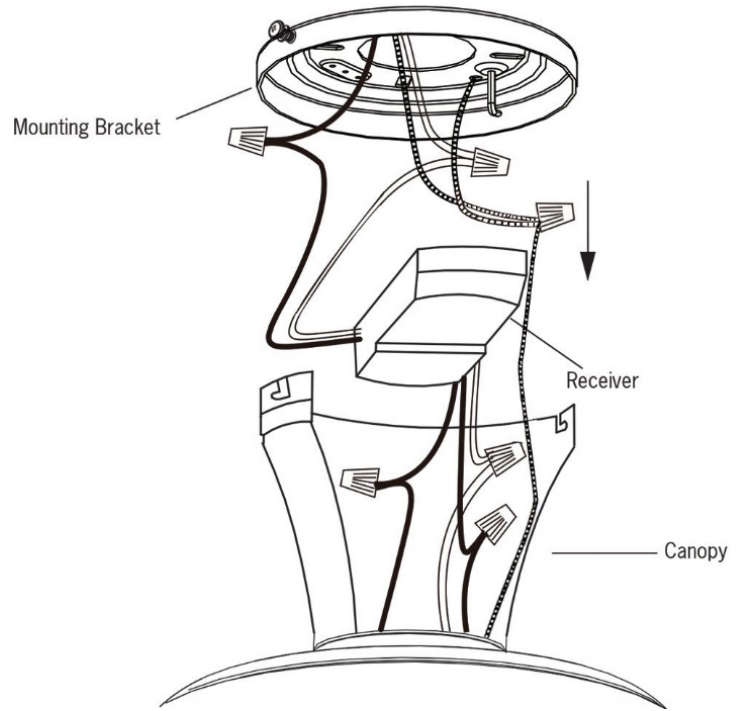
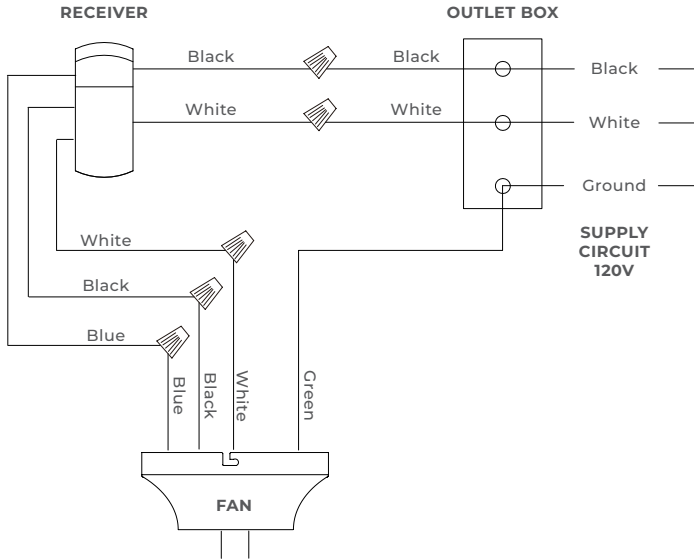
**SAVE THESE INSTRUCTIONS**



**ELECTRICAL CONNECTIONS (CONTINUED)**

- E) Connect GREEN fan wire to BARE (ground) wire.
- F) Connect BLACK receiver unit wire to BLACK supply wire.
- G) Connect WHITE receiver unit wire to WHITE supply wire.
- H) Connect WHITE receiver unit wire (MOTOR N) to WHITE fan wire.
- I) Connect BLACK receiver unit wire (MOTOR L) to BLACK fan wire.
- J) Connect BLUE receiver unit wire (FOR LIGHT) to BLUE light wire.
- K) After making the wire connections, ensure the wires are spread apart with the grounded conductor and the equipment grounding conductor on one side of the outlet box and the ungrounded conductor on the other side of the outlet box.
- L) Ensure the splices are turned upward and pushed carefully up into the outlet box.

- M) Ensure the 3 connectors on supply wires are turned upward and pushed carefully up into the outlet box.
- N) Position the receiver into the mounting bracket as shown.



**FAN MOUNTING ASSEMBLY**

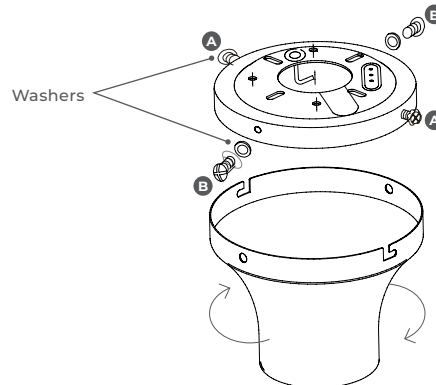
- A) Place two screws and washers on mounting plate (marked B on diagram) which correspond with slots in canopy. Screw in two turns.
- B) Position canopy to mounting plate aligning slots to screws (marked B on diagram) then turn to lock.
- C) Position and tighten the two screws and washers (marked A on diagram) then tighten the two screws (marked B on diagram).

**DOWN ROD MOUNT INSTALLATION**

A) Carefully rotate fan assembly until groove in hemisphere locks over tab of canopy assembly.

**NOTE:** When installing fan on sloped ceiling, make sure tab on hanger bracket faces towards the top of the slope. Depending on the slope, a longer down rod may be required to prevent fan blades from hitting the ceiling.

**WARNING:** Failure to seat tab in groove could cause damage to electrical wires and possible shock or fire hazard.



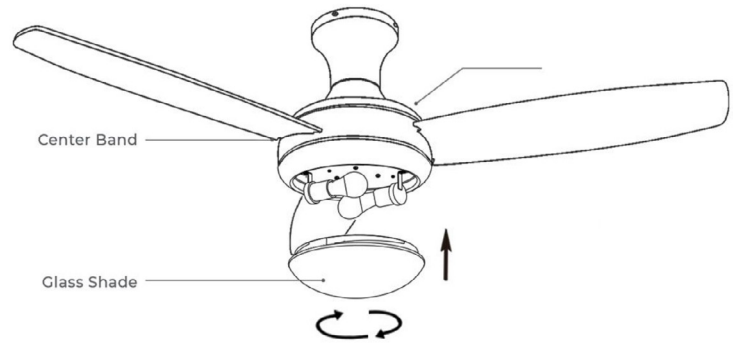
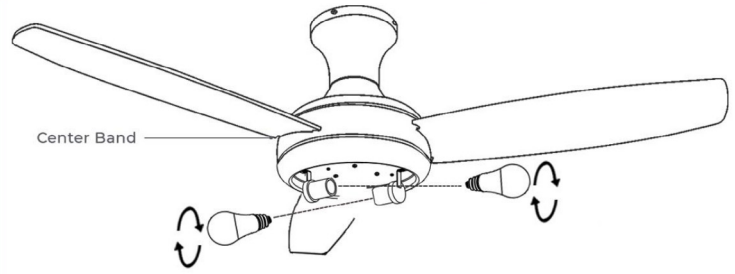
**SAVE THESE INSTRUCTIONS**



**LIGHT INSTALLATION**

- A) Screw in (2) lamps to E26 sockets.
- B) Place glass onto the fan and turn to secure.
- C) To clean the fixture, turn off the power, wait for it to cool, and wipe the fixture with a clean, soft cloth.

**WARNING:** Be sure to turn off power before installing. Ensure that all connections, set screws and screws are securely tightened before the next step.



**OPERATION**

- A) Turn fan completely off before moving the reverse switch.
- B) Set reverse switch to recirculate air depending on season:
  - LEFT position in summer (Figure 2).
  - RIGHT position in winter (Figure 3).
- C) A ceiling fan will allow you to raise your thermostat setting in summer and lower your thermostat setting in winter without feeling a difference in your comfort.
  - **NOTE:** If the reverse switch is set in the middle position (Figure 4), fan will not operate.
- D) Attach supplied pull chain extensions or custom pull chain extensions (sold separately) to ends of the pull chains.

FIGURE 1

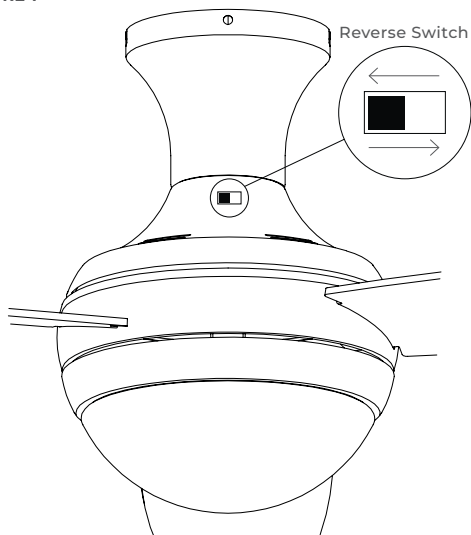


FIGURE 2

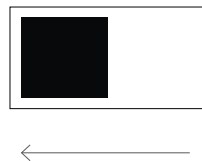
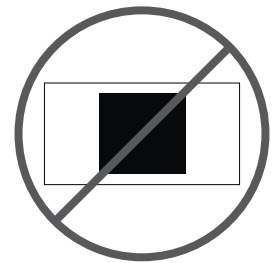


FIGURE 3



FIGURE 4



Fan will not operate if switch is set in middle position.

**SAVE THESE INSTRUCTIONS**



## TROUBLESHOOTING

---

**A) Fan will not start.**

- Check fuses and circuit breakers.
- Check wiring connections to fan.
- Check wiring connections in switch housing.
- **CAUTION:** Turn power off for last two items.

**B) Fan is noisy.**

- Check to make sure that all screws in motor housing are snug.
- Check to make sure that blade bracket screws are tight.
- If fan has a light kit make sure switch housing screws and set screws are tight.
- Some fan motors are sensitive to signals from solid state variable controls. If solid state controller is used, change to an alternative control. (Contact factory for a list of available controls.)

**C) Fan wobbles or shakes excessively.**

- Check that all blades are screwed firmly into blade brackets.
- Check that blade brackets are secured firmly to motor.
- Check distance from tip of blades to ceiling.
- Check distance between blade tip to blade tip. All measurements should be equal. Loosen blade screws and position blade until even then re-tighten.
- Check that the down rod hemisphere notch is engaged in canopy.
- Check to make sure that jam screws in down rod are tightened.
- Make sure canopy and mounting bracket are tightened securely to wooden joist.
- Make sure warpage has not occurred in wooden blades. If so, contact the customer service department for replacement parts.

**SAVE THESE INSTRUCTIONS**

7

