



IMPORTANT SAFETY PRECAUTIONS

Before you begin, read these instructions completely and carefully.

- Be certain electrical power is OFF before and during installation, maintenance and removal.
- Luminaire wiring must be properly grounded in accordance with the NEC and any applicable local code requirements.
- Use only UL or IEC approved wire for input/output connections.
- Verify that supply voltage matches voltage on luminaire label. Installation to any other connection may void the warranty.
- Wear gloves during installation to prevent injury and do not expose wiring to metal or sharp edges.
- Do not install in areas subject to combustible vapors or gases. Verify luminaire location ratings are suitable for installation environment (refer to specification sheet as needed).
- Do not restrict luminaire's ventilation by covering with material that will cause luminaire to overheat and potentially shorten the life span.
- Ensure LED luminaire has the correct polarity before installation.



WARNING: To reduce the risk of personal injury or property damage from fire, electrical shock, falling parts, abrasions, burns and all other hazards, read all provided warnings and follow installation instructions.

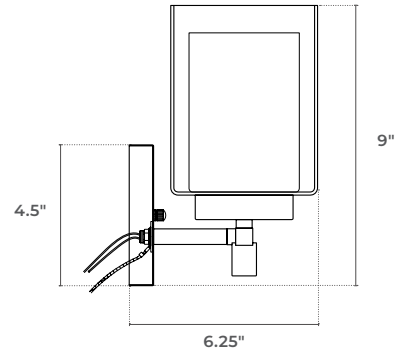
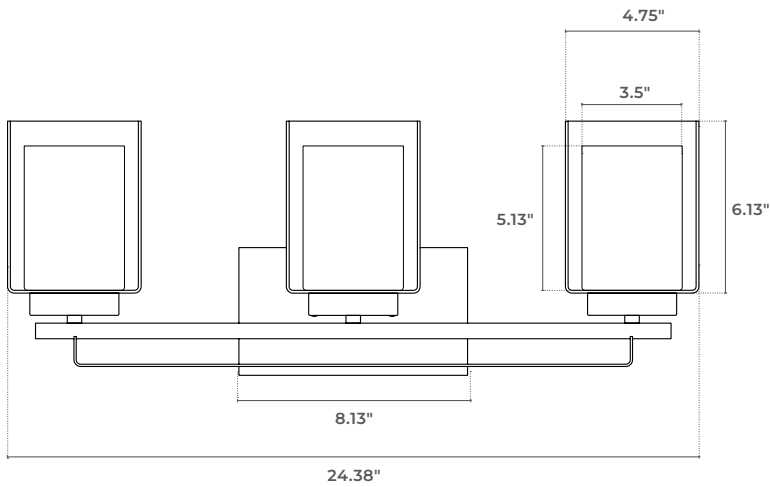
This product should be installed, inspected and maintained by a qualified and licensed electrician. Installation of luminaire must be in accordance with NEC and local code requirements.

SAVE THESE INSTRUCTIONS


DIMENSIONS

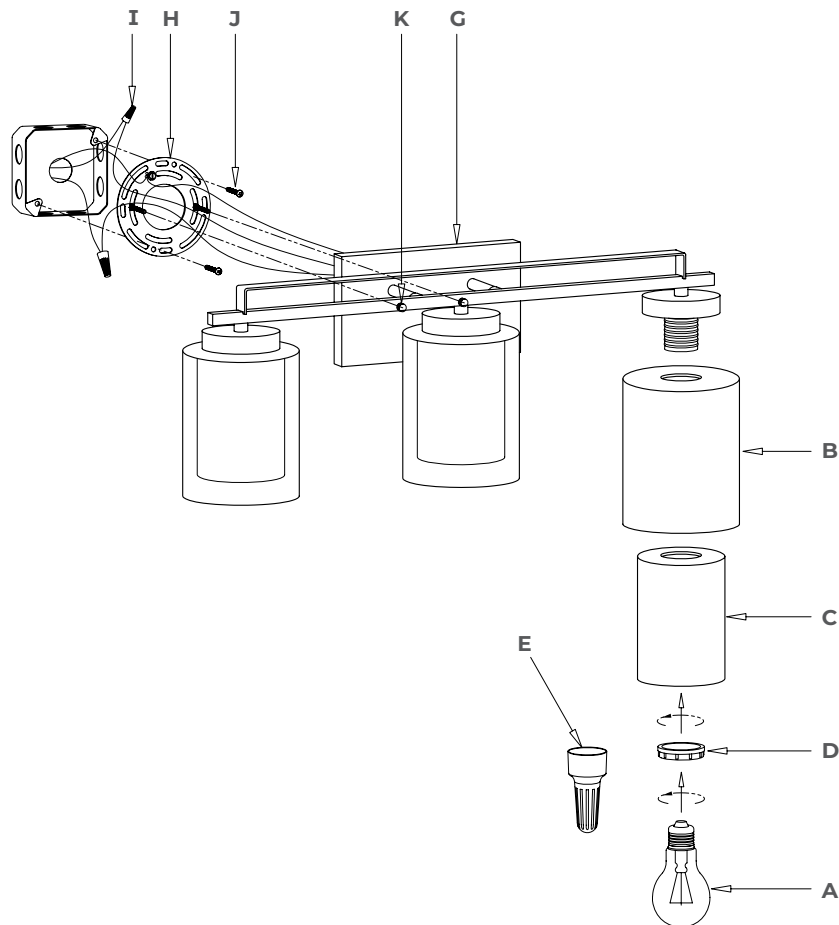
Front View

Side View



INSTALLATION INSTRUCTIONS

- 1) Attach the mounting plate [H] to the outlet box using outlet box screws [J].
- 2) Connect the black wire of lamp to the supply black wire by connector [I], connect white wire of lamp to the supply white wire by connector [I]. Connect the ground wire to the supply ground wire by connector [I] or fasten to the mounting plate [H].
- 3) Place the fixture [G] onto the mounting plate [H], then secure with finials [K].
- 4) Remove socket ring [D] from socket.
- 5) Install outer glass [B] on Socket, then put inner glass [C] into outer glass [B]. And secure with socket ring [D] via socket ring tool [E].
- 6) Install bulb [A]. (Bulb not included)
- 7) Installation is complete. 



SAVE THESE INSTRUCTIONS