

## IMPORTANT SAFETY PRECAUTIONS

**Before you begin, read these instructions completely and carefully.**

- Be certain electrical power is OFF before and during installation, maintenance and removal.
- Luminaire wiring must be properly grounded in accordance with the NEC and any applicable local code requirements.
- Use only UL or IEC approved wire for input/output connections.
- Verify that supply voltage matches voltage on luminaire label. Installation to any other connection may void the warranty.
- Wear gloves during installation to prevent injury and do not expose wiring to metal or sharp edges.
- Do not install in areas subject to combustible vapors or gases. Verify luminaire location ratings are suitable for installation environment (refer to specification sheet as needed).
- Do not restrict luminaire's ventilation by covering with material that will cause luminaire to overheat and potentially shorten the life span.



**WARNING:** To reduce the risk of personal injury or property damage from fire, electrical shock, falling parts, abrasions, burns and all other hazards, read all provided warnings and follow installation instructions.

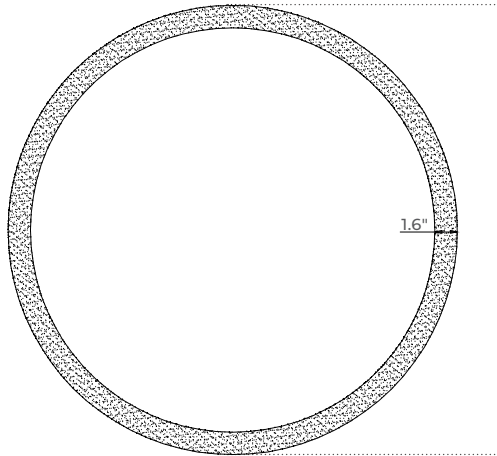
This product should be installed, inspected and maintained by a qualified and licensed electrician. Installation of luminaire must be in accordance with NEC and local code requirements.

**SAVE THESE INSTRUCTIONS**



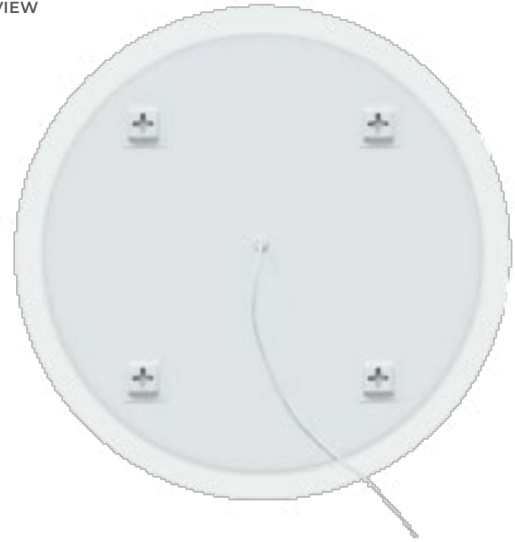
**DIMENSIONS**

FRONT VIEW



SIZE 28: Ø28"  
SIZE 32: Ø31.5"

BACK VIEW



**INSTALLATION INSTRUCTIONS**

**A)** Measure the mirror and mark desired location on wall. Ensure the top edge of the mirror is at least 1.5" from the ceiling. We recommend measuring 4 edges - top, bottom, left and right - so that all four edges can be traced on the wall for accurate hanging. Additionally, trace lines from the center point of these four edges to the center point of the mirror. Electrical connections will be made at the center of the mirror, so this is where the junction box should be located inside the wall. (FIGURE 1)

**B)** Review the back of the mirror and measure the exact locations of the hanging brackets. We recommend measuring each hanging bracket from the center lines of the mirror. Then using those measurements, mark the hanging bracket locations on the wall to accurately drill the holes for drywall anchors and hanging hardware. Double check the measurements for each drill hole location to ensure they match the measurements for the hanging brackets on the mirror. (FIGURE 2)

**C)** Drill mounting holes into the wall and insert drywall anchors. Insert mounting screws into drywall anchors and leave approximately ¼inch of the screw head visible for hanging the mirror on wall. (FIGURE 2)

**D)** Make electrical connections (Line - black to black, Neutral - white to white, Ground - green/bare wire to green/bare wire) from junction box and circuit to the mirror using wire nuts or other connectors. (FIGURE 3)

**E)** Hang the mirror by aligning mounting brackets on back of the mirror with the protruding mounting screws installed in wall. Make sure all mounting screws are inserted into the mirror hanging brackets and mirror is securely fastened to the wall.

**F)** Installation complete. 

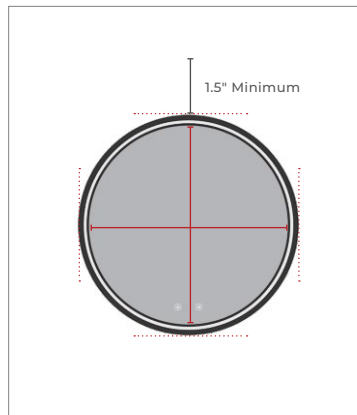


FIGURE 1

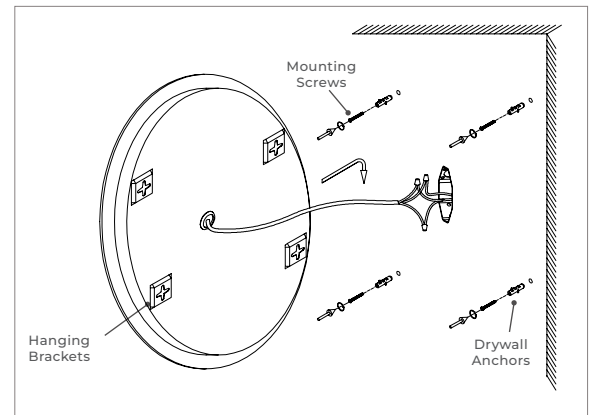


FIGURE 2

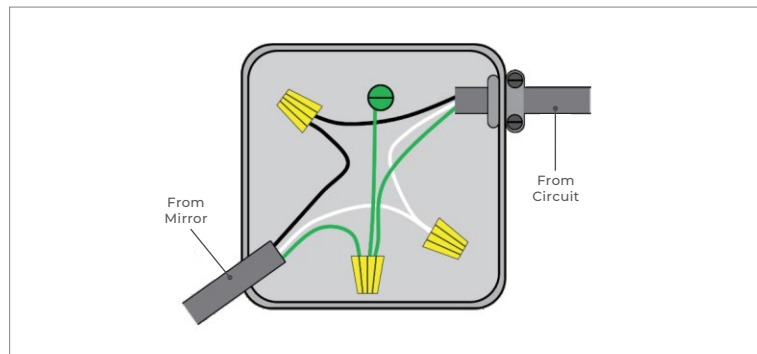


FIGURE 3

**SAVE THESE INSTRUCTIONS**

