

IMPORTANT SAFETY PRECAUTIONS

Before you begin, read these instructions completely and carefully.

- Be certain electrical power is OFF before and during installation, maintenance and removal.
- Luminaire wiring must be properly grounded in accordance with the NEC and any applicable local code requirements.
- Use only UL or IEC approved wire for input/output connections.
- Verify that supply voltage matches voltage on luminaire label. Installation to any other connection may void the warranty.
- Wear gloves during installation to prevent injury and do not expose wiring to metal or sharp edges.
- Do not install in areas subject to combustible vapors or gases. Verify luminaire location ratings are suitable for installation environment (refer to specification sheet as needed).
- Do not restrict luminaire's ventilation by covering with material that will cause luminaire to overheat and potentially shorten the life span.



WARNING: To reduce the risk of personal injury or property damage from fire, electrical shock, falling parts, abrasions, burns and all other hazards, read all provided warnings and follow installation instructions.

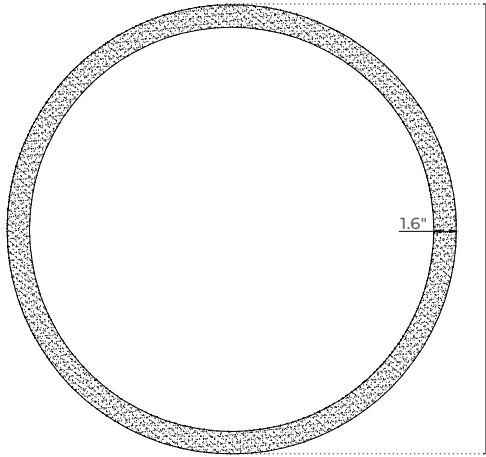
This product should be installed, inspected and maintained by a qualified and licensed electrician. Installation of luminaire must be in accordance with NEC and local code requirements.

SAVE THESE INSTRUCTIONS



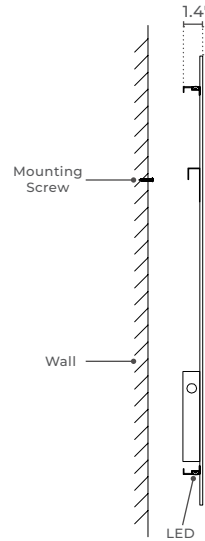
DIMENSIONS

FRONT VIEW

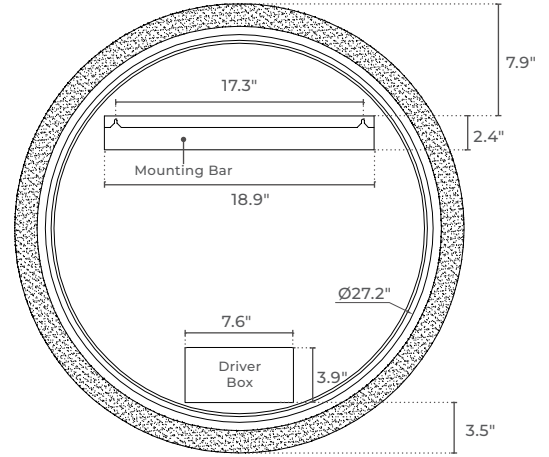


SIZE 28: Ø28"
SIZE 32: Ø31.5"

SIDE VIEW



BACK VIEW



INSTALLATION INSTRUCTIONS

A) Measure the mirror and mark desired location on wall. Ensure the top edge of the mirror is at least 1.5" from the ceiling. We recommend measuring 4 edges - top, bottom, left and right - so that all four edges can be traced on the wall for accurate hanging. Additionally, trace lines from the center point of these four edges to the center point of the mirror. (FIGURE 1)

B) Review the back of the mirror. The mounting bar on the back of the mirror is used to support the weight of the mirror. Determine where the mounting bar sits on the back of the mirror and measure the distance from the mounting bar to the top of the mirror. Add this distance to the minimum 1.5" clearance (or the installer's desired distance) from the top of the mirror to the ceiling. Use the combined measurement to mark the mounting bar position on the wall in its correct location. We recommend using a level to ensure the mounting bar is flat and parallel to the ground so the mirror is not tilted after installation.

C) Locate the (2) mounting notches on the mounting bar. From the vertical center line of the mirror, measure the distance to each mounting notch. With these measurements mark the locations of each mounting notch on the wall. Ensure the line between both notches is flat and parallel to the ground. We recommend verifying with a level. These two locations are where you will drill holes into the wall and install the drywall anchors and mounting screws for supporting the mounting bar and mirror. Double check the measurements for each drill hole location on the wall to ensure they match the measurements for the mounting notches on the mirror mounting bar.

D) The provided driver box is near the bottom of the mirror. If desired, you can determine the location of the driver box on the mirror to mark its location on the wall. The driver box is supplied with a whip for making electrical connections inside a junction box (not included).

E) Drill mounting holes into the wall and insert drywall anchors. Insert mounting screws into drywall anchors and leave approximately ¼ inch of the screw head visible for hanging the mirror on wall. (FIGURE 2)

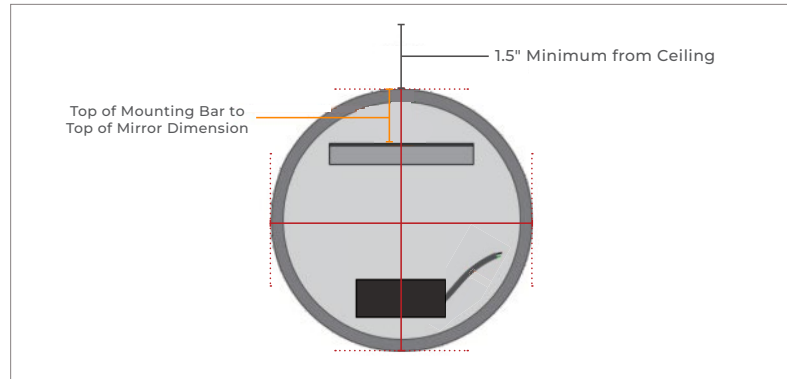


FIGURE 1

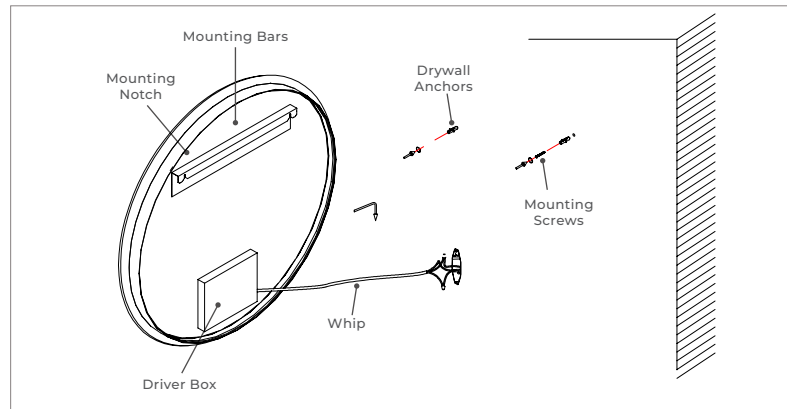


FIGURE 2

SAVE THESE INSTRUCTIONS



INSTALLATION INSTRUCTIONS (CONTINUED)

F) Make electrical connections (Line - black to black, Neutral - white to white, Ground - green/bare wire to green/bare wire) from junction box and circuit to the mirror using wire nuts or other connectors. (FIGURE 3)

G) Hang the mirror by aligning the (2) mounting notches on the back of the mirror mounting bar with the protruding mounting screws installed in the wall. Make sure all mounting screws are inserted into the mirror mounting bar and the mirror is securely fastened to the wall.

H) Installation complete. 

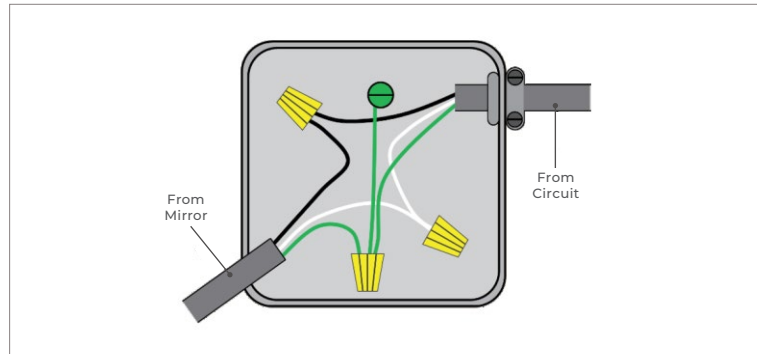


FIGURE 3

