



IMPORTANT SAFETY PRECAUTIONS

Before you begin, read these instructions completely and carefully.

- Be certain electrical power is OFF before and during installation, maintenance and removal.
- Fan wiring must be properly grounded in accordance with the NEC and any applicable local code requirements.
- Use only UL or IEC approved wire for input/output connections.
- Verify that supply voltage matches voltage on fan label. Installation to any other connection may void the warranty.
- Wear gloves during installation to prevent injury and do not expose wiring to metal or sharp edges.



WARNING: To reduce the risk of fire, electrical shock, or personal injury, mount this fan to an outlet box marked "Acceptable for Fan Support of 22.7kg (50lbs)" or less and use Mounting Screws provided with the outlet box. CAUTION: Install the primary mounting means and use only the hardware provided with the fan.

To reduce the risk of personal injury, do not bend the blade brackets when installing the brackets, balancing the blades or clearing the fan. Be careful not to insert foreign objects in between rotating fan blades.

To reduce the risk of fire or electrical shock, do not use this fan with any solid-state speed control device.



The important safeguards and instructions appearing in this manual are not meant to cover all possible conditions and situations that may occur. It must be understood that common sense, caution and careful attention to detail are factors which cannot be built into this product. These factors must be supplied by the person or persons installing, caring for, and operating the unit.

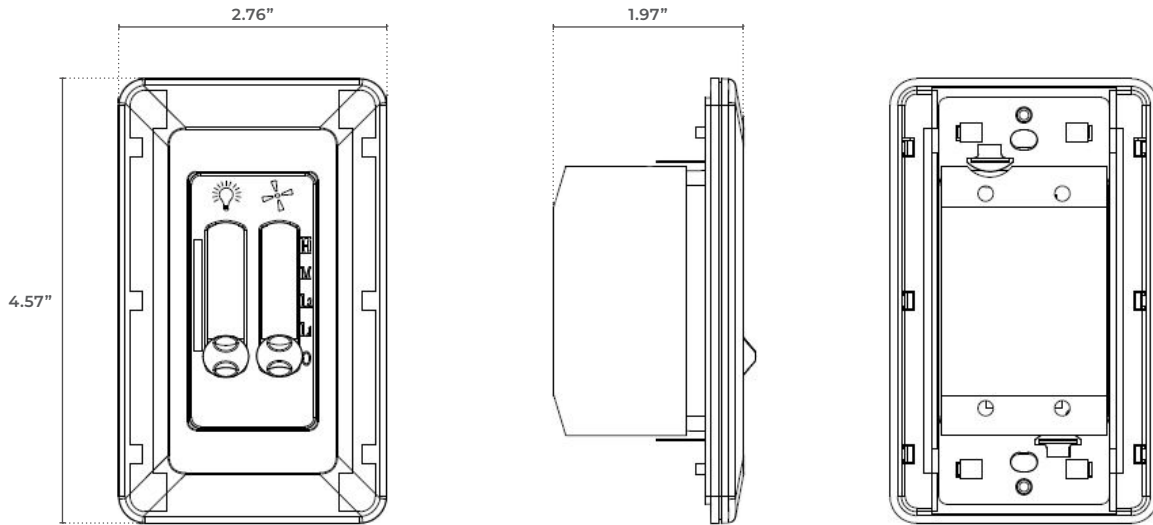


This product should be installed, inspected and maintained by a qualified and licensed electrician. Installation of luminaire must be in accordance with NEC and local code requirements.

SAVE THESE INSTRUCTIONS



DIMENSIONS



INSTALLATION INSTRUCTIONS

A) Disconnect power and remove the existing wall plate and switch.

B) If the fan is equipped with a pull chain, set the fan to the highest fan speed setting with pull chain and light kit set to ON position with pull chain before installing and using the wall control.

C) Set all knobs on the WS dual slide wall-mounted control to the OFF position.

D) Installation of this control requires that a three-conductor cable with ground wire be run between the WS wall control electrical box and the ceiling fan junction box. (Figure 1)

E) Make wiring connections and secure with provided wire nuts. (Figure 2)

- Connect black wire from AC power supply to black wire from the WS wall-mounted control.
- Connect black or red wire from the ceiling fan to black wire from the WS wall-mounted control.
- Connect blue wire from the ceiling fan to blue wire from the WS wall-mounted control.

F) Secure the WS wall-mounted control to the electrical wall box with two screws provided. (Figure 3)

NOTES:

- If your ceiling fan was ordered with the original pull chain, please have the fan switch set to its highest speed and the light kit set to ON before using the WS wall control. To avoid accidental pull chain use, shorten pull chain by cutting it 1" below motor housing body.
- E26 lamps must be dimmable in order for the light kit dimmer to function properly.

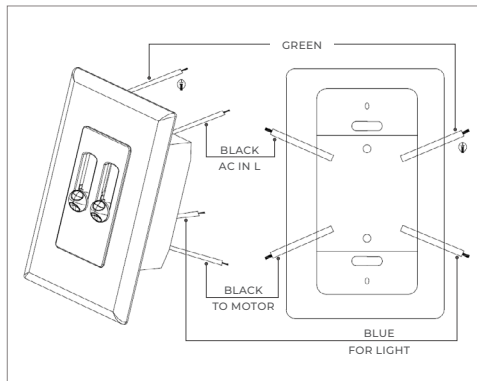


FIGURE 1

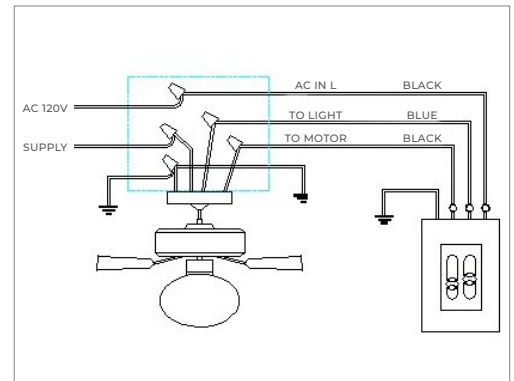


FIGURE 2

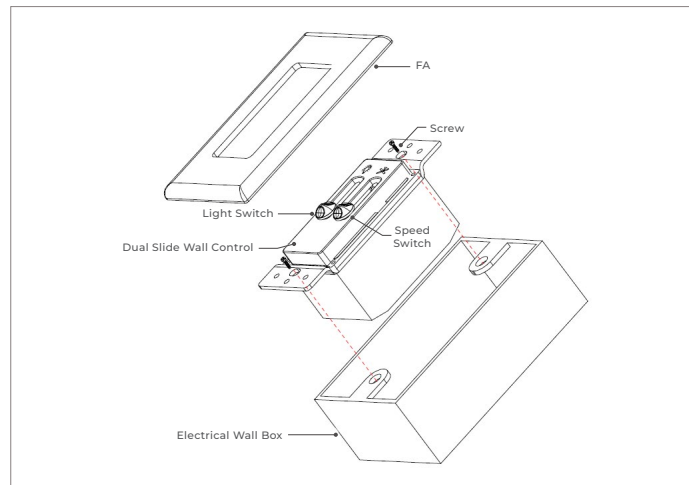


FIGURE 3

SAVE THESE INSTRUCTIONS



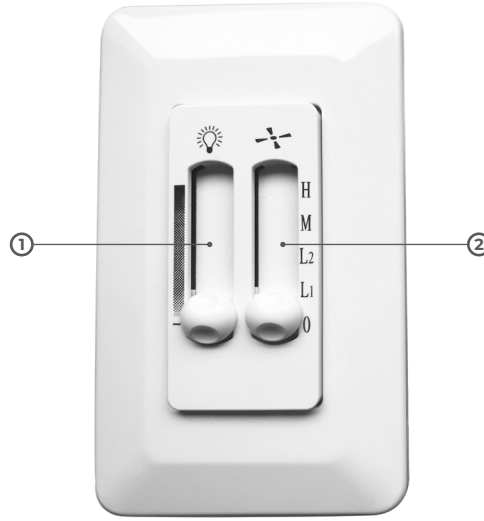
WALL CONTROL FUNCTIONS

1. Light Kit Slide:

- **0:** POWER OFF
- Push the slide upward to increase output and brightness of light kit.
- Push the slide downward to decrease output and brightness of light kit.

2. Fan Speed Slide:

- **0:** POWER OFF
- **H:** HIGH SPEED
- **M:** MEDIUM SPEED
- **L1:** LOW SPEED
- **L2:** L. LOW SPEED



SAVE THESE INSTRUCTIONS

