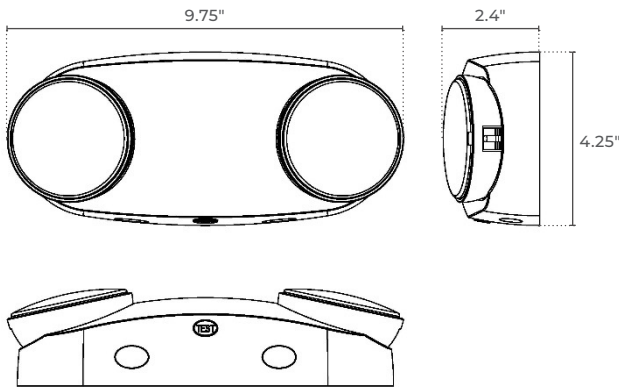


PROJECT DATE

COMMENTS



IN STOCK



EMR2 EMERGENCY LIGHT ROUND HEADS LED

The EMR2 series is a 120/277V dual voltage with two adjustable LED heads. EMR2 is 5VA flame rated, damp location listed and includes a test switch and charge indicator. The EMR2 is easy to install with its universal J-box mounting pattern and has a maximum 24-hour full recharge time. EMR2 can also be ordered with remote head capacity up to 2W.

- Hospitality
- Commercial
- Residential

PHYSICAL

Material	Injection-Molded Thermoplastic ABS Housing
Mounting	Universal J-Box Mounting Pattern
Source	LED
Finish	White

PERFORMANCE

Warranty	5 years for fixture housing & 2 years for battery
Certifications	Damp Location, cULus, 5VA Flame Rating, FCC
IP Rating	IP40
Operating Temperature	32° to 104°F (0° to 40°C)
Delivered Lumens	200 lumens

ELECTRICAL

Voltage	120/277VAC
Wattage	2W Standard, 2.4W with Remote Capacity
Battery	3.6V Nickel Cadmium 90-Minutes Emergency Operation

ORDERING LOGIC

EX: EMR2

FAMILY	VOLTAGE	REMOTE CAPACITY <small>120/277V DUAL VOLTAGE ONLY</small>
EMR2	(blank) 120/277V Dual Voltage	(blank) No Remote Capacity RC Remote Capacity <small>UP TO 2W LOAD</small>

